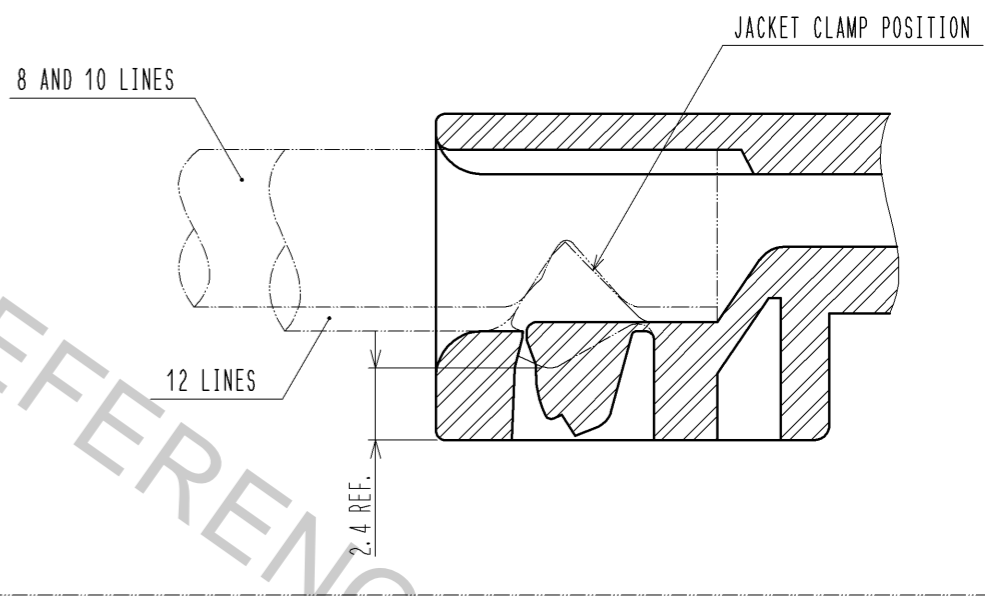


1 TABLE-1

APPLICABLE CABLE CONSTRUCTION			
JACKET [φ Amm]	8 AND 10 LINES φ 5.2 mm ※1	12 LINES φ 6.2 mm ※1	
INSULATOR	φ 0.9~1.0 mm		
CONDUCTOR	QUADRUPLE COPPER FOIL ※2		
DRAIN WIRE	19 CONDUCTORS/φ 0.12 ※2		
JACKET CLAMP POSITION	SHOWN IN CABLE ASSEMBLED IMAGE		

※1 OUTSIDE DIMENSION OF JACKET SHOULD BE φ 5.5~6.2 mm.
 ※2 CONDUCTOR AND DRAIN WIRE FOR REFERENCE.

CABLE ASSEMBLED IMAGE



- NOTES
- 1 APPLICABLE CABLE IS SHOWN IN TABLE-1.
 - 2 PLEASE USE ACCESSORY AS A GUIDE PLATE AND ASSEMBLE CONNECTOR WITH CABLE INSERTING ACCESSORY INTO CONNECTOR.

1	PBT	WHITE	3	POLYCARBONATE	UL94HB CLEAR		
2	PHOSPHOR BRONZE		2	PHOSPHOR BRONZE	CONTACT:GOLD PLATING 1μm min. LEAD :GOLD PLATING 0.05μm min. UNDER :NICKEL PLATING 2μm min.		
NO.	MATERIAL	FINISH . REMARKS	NO.	MATERIAL	FINISH . REMARKS		
UNITS mm		SCALE 4 : 1	COUNT △	DESCRIPTION OF REVISIONS	DESIGNED	CHECKED	DATE
HRS HIROSE ELECTRIC CO., LTD.		APPROVED : RI. TAKAYASU	10.07.16	DRAWING NO. EDC3-120162-00			
		CHECKED : YH. ENAMI	10.07.16	PART NO. TM40P-1212P			
		DESIGNED : KI. NAGANUMA	10.07.16	CODE NO. CL222-2715-4-00			
		DRAWN : KK. TOKUNAGA	10.07.15			△ 1/1	