

CGA8N3X7R2E474M230KE

TDK Item Description : CGA8N3X7R2E474MT***S



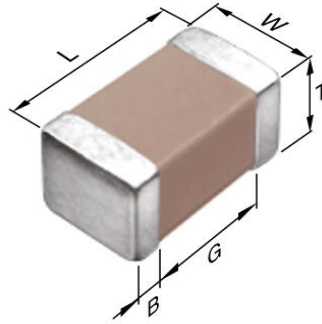
Equivalent C4532X7R2E474M for Automotive

Application & Main Feature

Automotive Grade (Soft Termination)

Series

CGA8(4532) [EIA CC1812]



Dimensions

L	4.50mm +0.5,-0.4mm
W	3.20mm +/-0.4mm
T	2.30mm +0.3,-0.2mm
B	0.20mm Min.
G	

Temperature Characteristic

X7R (-55 to 125 degC +/-15%)

Rated Voltage

2E (250Vdc)

Capacitance

470nF

Capacitance Tolerance

M (+/-20%)

Dissipation Factor

3% Max.

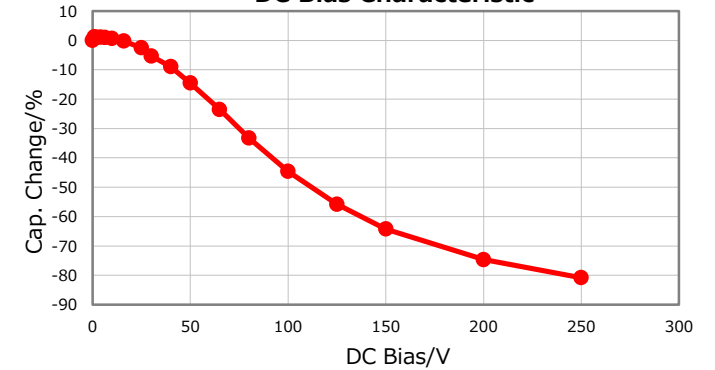
Insulation Resistance

1.063Gohm Min

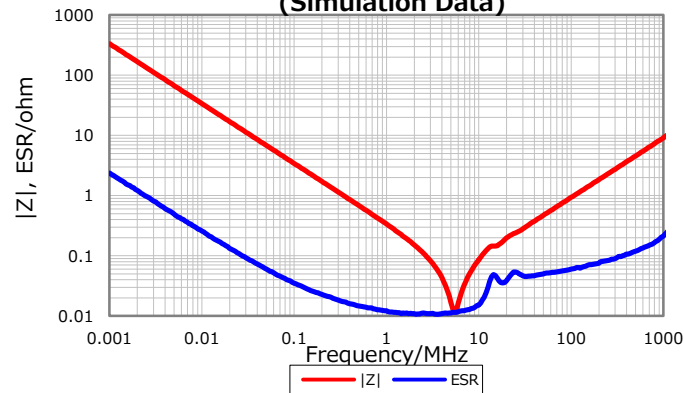
AEC-Q200

Yes

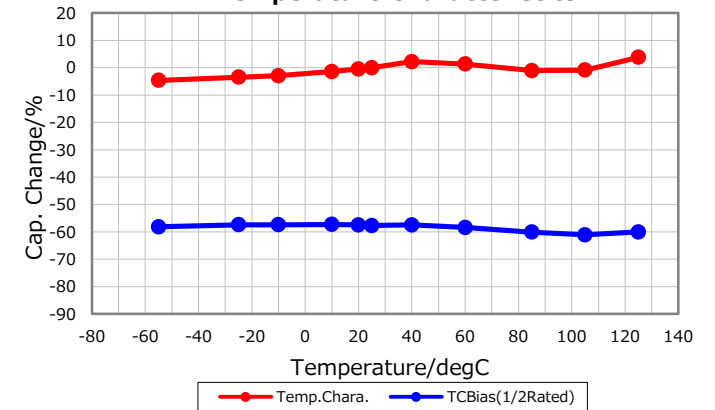
DC Bias Characteristic



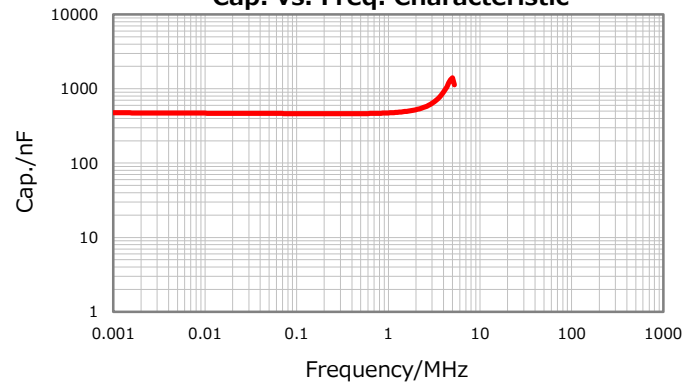
|Z|, ESR vs. Freq. Characteristics (Simulation Data)



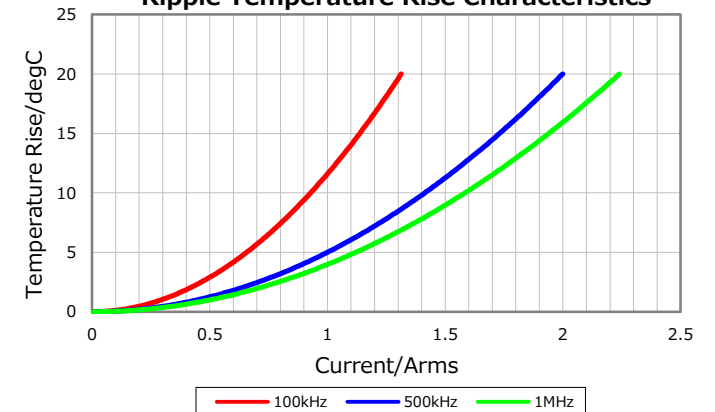
Temperature Characteristics



Cap. vs. Freq. Characteristic



Ripple Temperature Rise Characteristics



Characterization Sheet (Multilayer Ceramic Chip Capacitors)



All specifications are subject to change without notice.

March 17, 2017