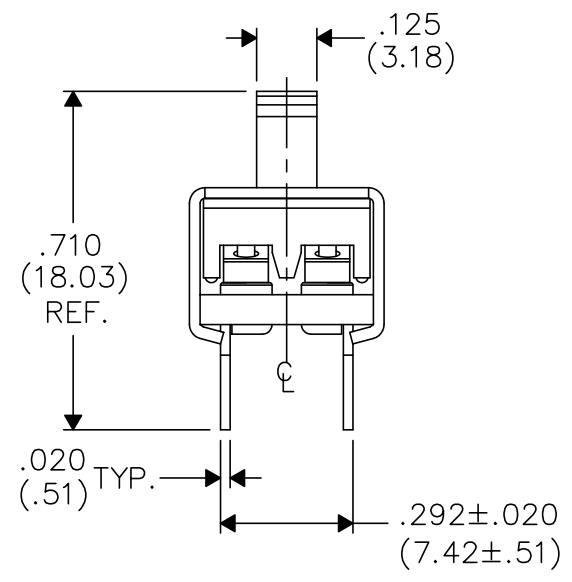
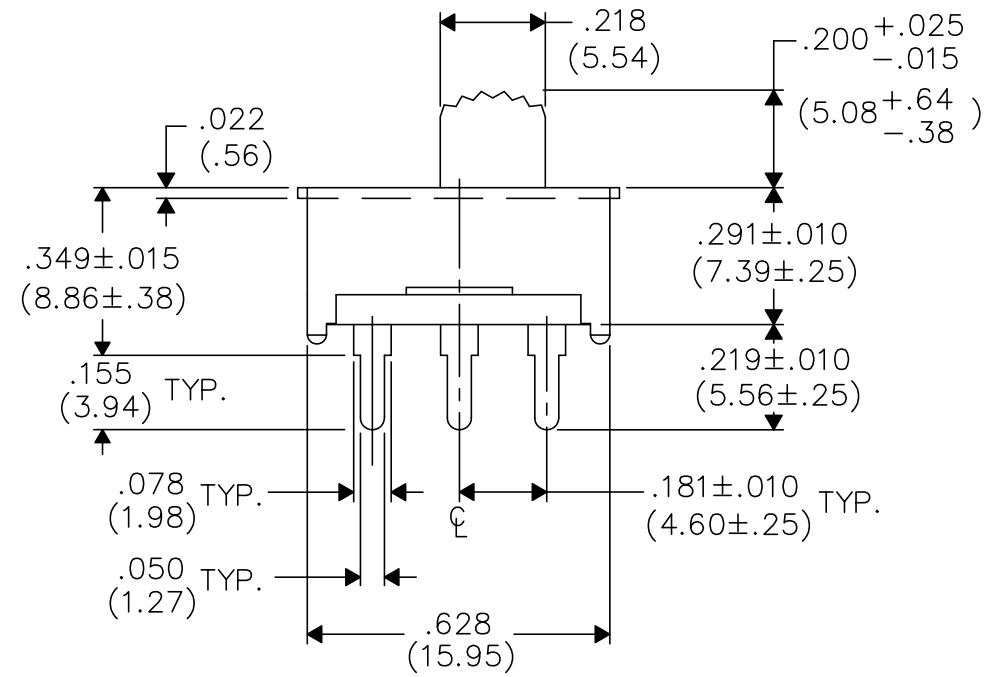
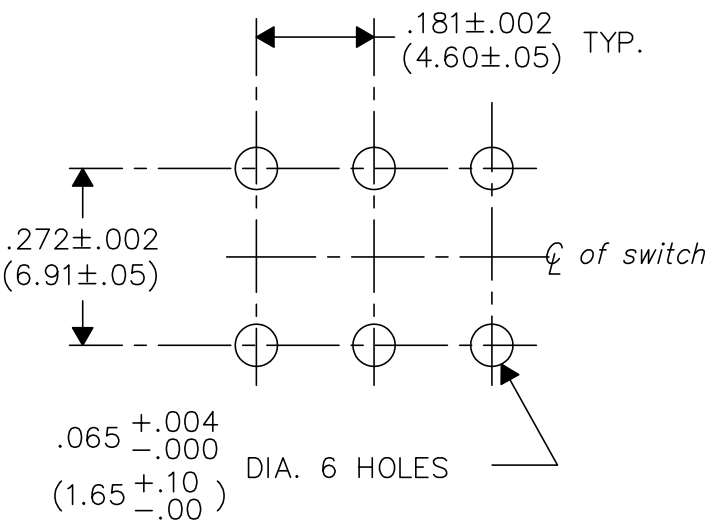
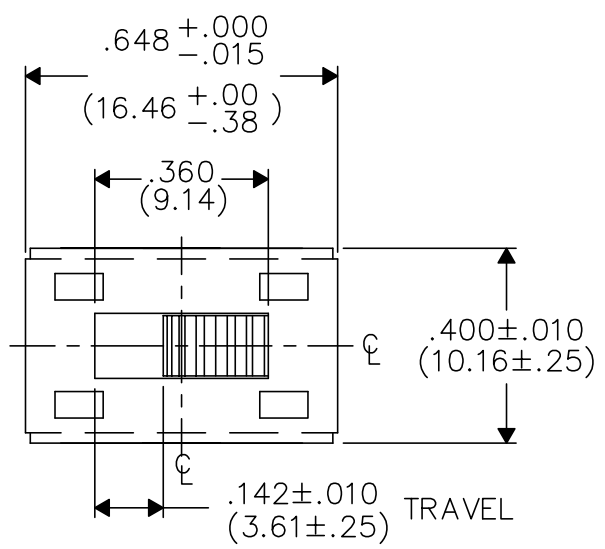


DIMENSIONS IN INCHES (MILLIMETERS)  
DO NOT SCALE DRAWING .....

Dwg. No.  
GF-126-0331

P.C. LAYOUT



1 2 3 4 5 6 7 8 9 10

B-FORMAT 2002  
REVISIONS  
0  
RELEASED.  
DGW 4-24-2003  
4-24-2003

**CW INDUSTRIES**  
Southampton, Pa. 18966  
TOLERANCES UNLESS OTHERWISE SPECIFIED  
2 Place Decimal ±.010 METRIC  
3 Place Decimal ±.005 1 Place Dec. ±.25mm  
Angles ..... ±1' 2 Place Dec. ±.13mm  
Made for: CW IND.  
Drawn by: DGW 4-24-2003  
Checked by: GG 4-24-03  
Approval: BF 4-24-3

Title: SWIDGET ASSEMBLY D.P.- D.T.  
Division: SWITCH  
Dwg. No. GF-126-0331

PDF File Made