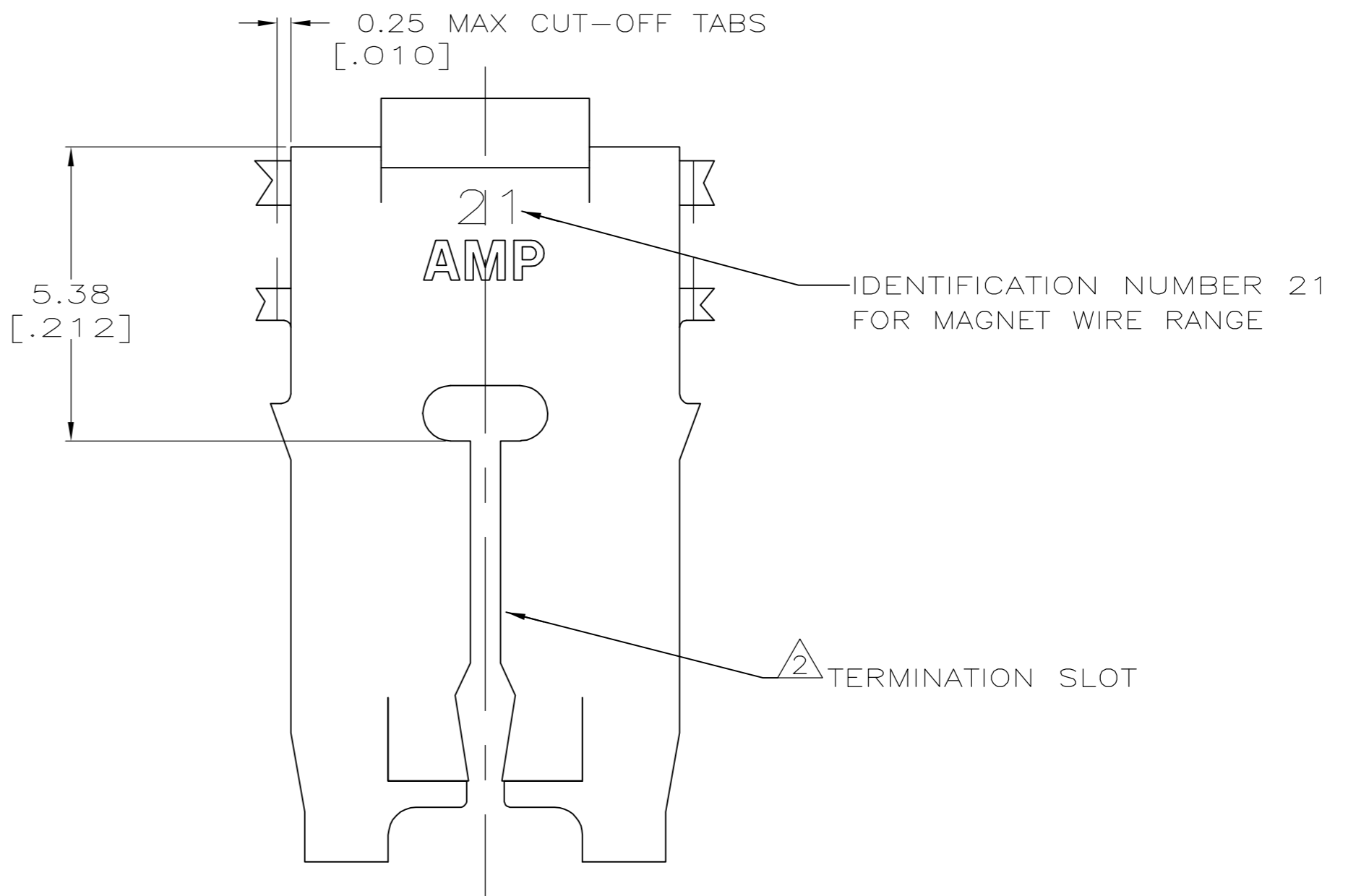
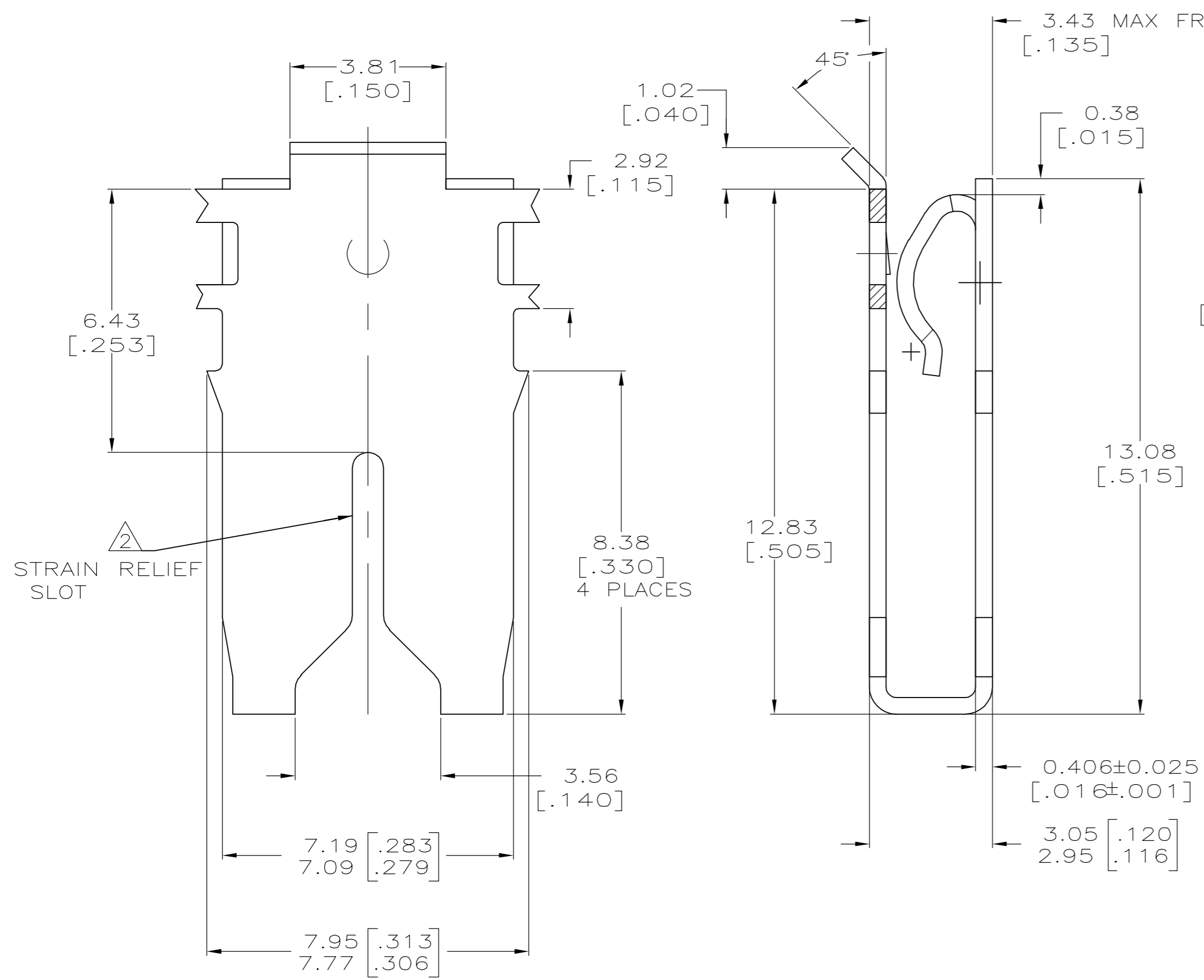
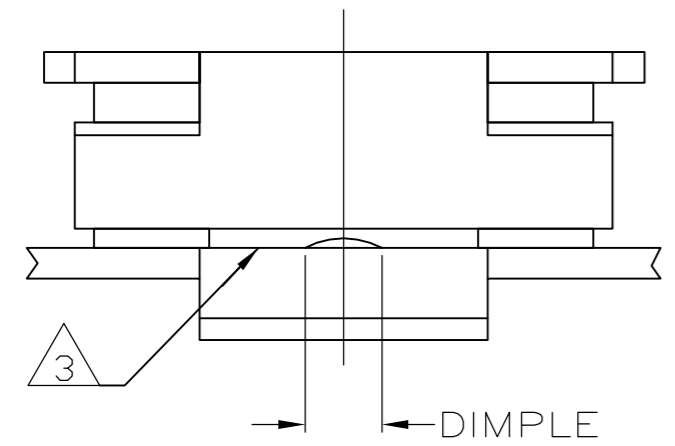


THIS DRAWING IS UNPUBLISHED. RELEASED FOR PUBLICATION
 © COPYRIGHT BY TYCO ELECTRONICS CORPORATION. ALL RIGHTS RESERVED.

LOC		DIST		REVISIONS					
AF		50		P	LTR	DESCRIPTION	DATE	DWN	APVD
				B1		CREATED PER ECR-07-002951	12FEB07	MF	KR

- 1 CONTINUOUS STRIP ON REELS WITH TERMINALS LOCATED ON 10.41±0.08[.410±.003] CENTERS.
- 2 SLOT ACCEPTS 0.72-0.86mm [#21-#19.5] AWG COPPER MAGNET WIRE. 2 WIRES OF THE SAME SIZE MAX PER SLOT.
- 3 CONTACT LEAF ACCEPTS 0.81[.032] THICK POKE-IN TAB, (REFERENCE TAB DRAWING 1217324-1).
- 4 0.002032 [.000080] MIN TIN PLATE OVER 0.00127 [.000050] MIN NICKEL UNDERPLATE.



1217357-1
PART NUMBER

THIS DRAWING IS A CONTROLLED DOCUMENT.		DWN	12FEB2007	Tyco Electronics Corporation Harrisburg, PA 17105-3608	
DIMENSIONS:		CHK	12FEB2007		
mm[INCHES]		APVD	12FEB2007		
TOLERANCES UNLESS OTHERWISE SPECIFIED:		NAME			
0 PLC	± -	KURT A. RANDOLPH		SPECIAL LEAF CONTACT, 500 SERIES MAG-MATE	
1 PLC	± -	KURT A. RANDOLPH		SIZE	A2
2 PLC	± 0.25[.010]	KURT A. RANDOLPH		CAGE CODE	00779
3 PLC	± -	KURT A. RANDOLPH		DRAWING NO	C=1217357
4 PLC	± -	KURT A. RANDOLPH		RESTRICTED TO	-
ANGLES	± -	KURT A. RANDOLPH		SCALE	10:1
FINISH	4 -	KURT A. RANDOLPH		SHEET	1 of 1
MATERIAL	4M BRASS	KURT A. RANDOLPH		REV	B1
CUSTOMER DRAWING		KURT A. RANDOLPH			