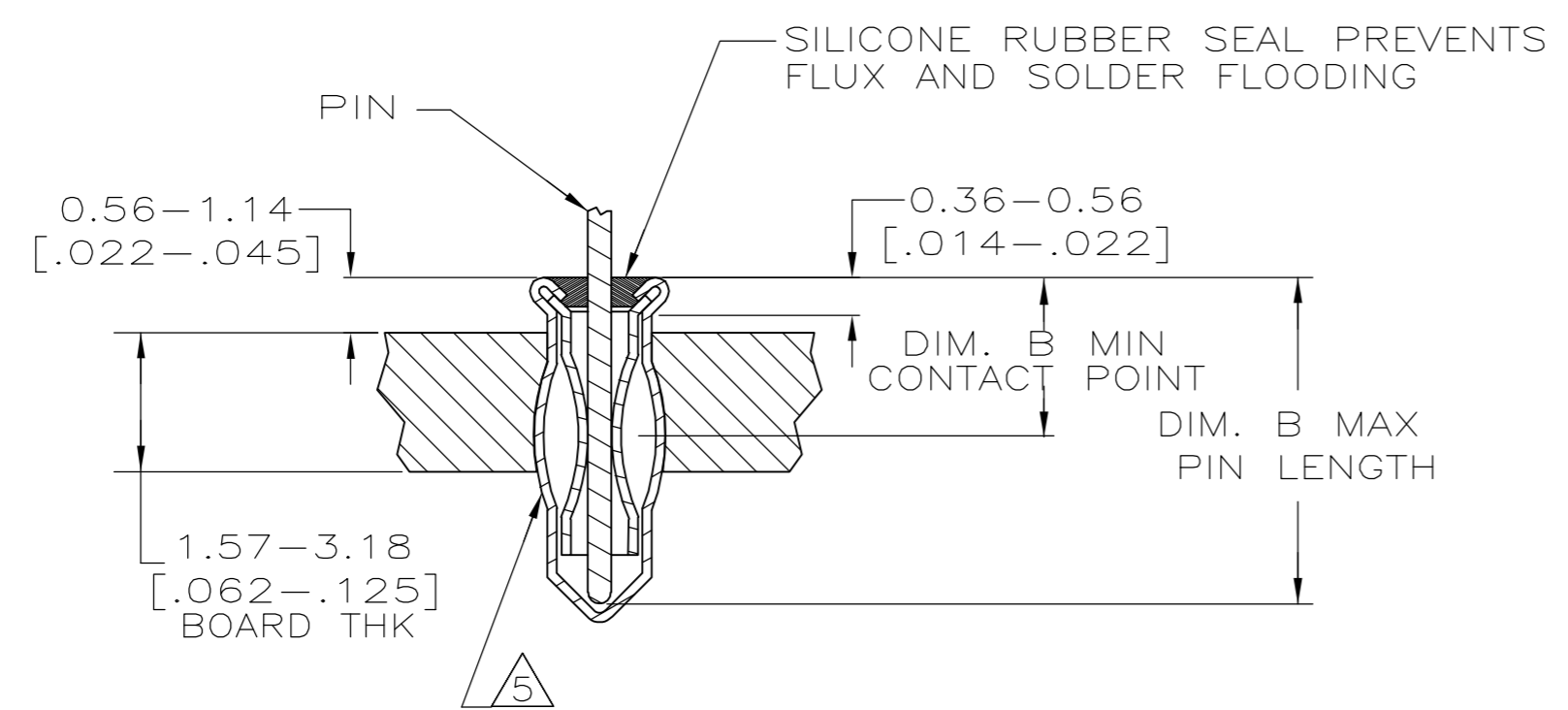
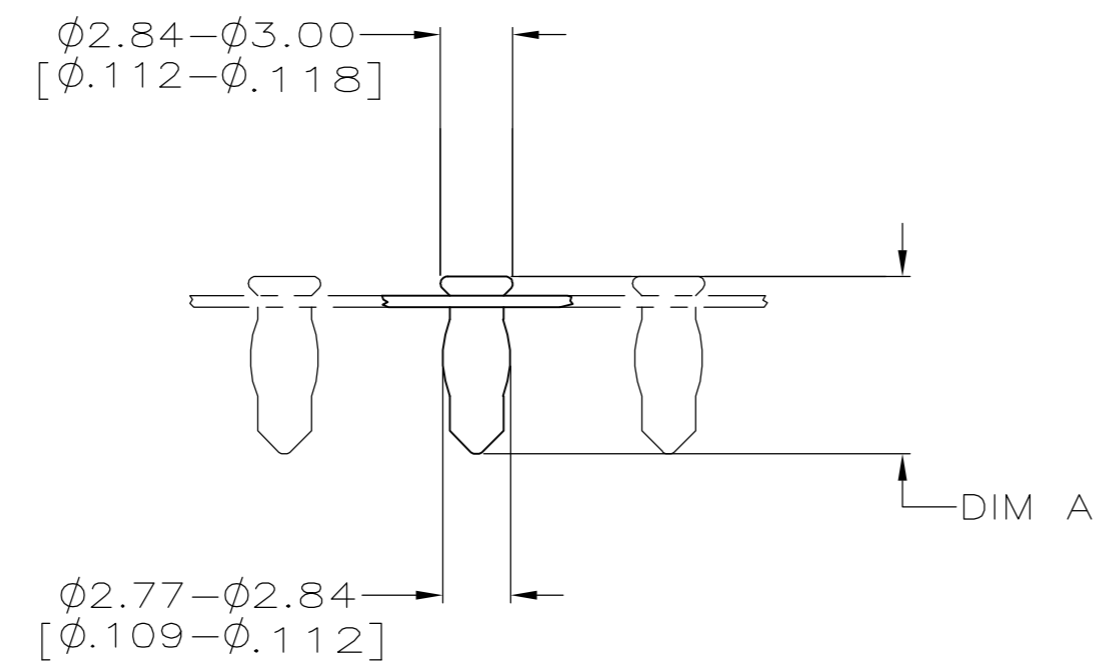
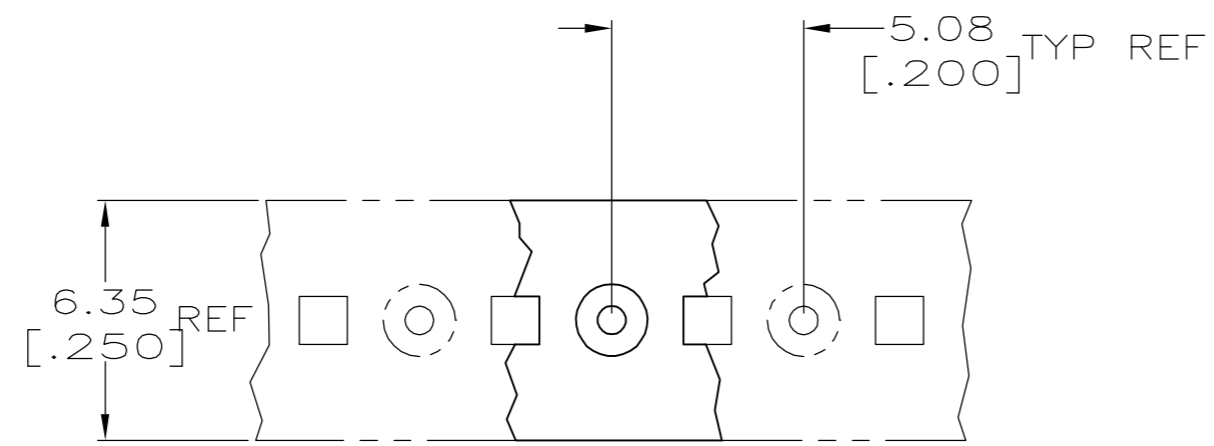


THIS DRAWING IS UNPUBLISHED. RELEASED FOR PUBLICATION
 © COPYRIGHT BY TYCO ELECTRONICS CORPORATION. ALL RIGHTS RESERVED.

| LOC | DIST | REVISIONS | | | | | |
|-----|------|-----------|-----|-------------|---------|-----|------|
| | | P | LTR | DESCRIPTION | DATE | DWN | APVD |
| AG | 53 | 0 | | RELEASED | 26JAN06 | JDP | JGH |



- 1 MATERIAL:
EYELET - COPPER PER ASTM B 152
SPRING - BERYLLIUM COPPER PER ASTM B 194
SEALANT - SILICONE RUBBER
- 2 TIN PLATE PER ASTM B 545, 0.00254 [.000100] MIN THK.
- 3 GOLD PLATE PER ASTM B 488, 0.00076 [.000030] MIN THK ON CONTACT AREA.
- 4 TO INSURE 1/2 OZ MIN RETENTION DO NOT EXCEED 0.10 [.004] DIFFERENCE IN PIN DIA WHEN CHANGING TO A SMALLER DIA PIN
- 5 PRODUCT IS OVALIZED FOR RETENTION IN THE P.C. BOARD. THE RECOMMENDED HOLE DIAMETER IS $\phi 2.59$ [$\phi .102$] MINIMUM, +0.08 [.003] MAX. PRIOR TO SOLDERING.
- 6 PACKAGED 10,000 PER REEL

| | | | | | |
|--|--------------------------|--|---|--|--------------------|
| 7.82 [.308] | 3.68-6.99 [.145-.275] | $\phi 1.07 - \phi 1.24$ [$\phi .042 - \phi .049$] | GOLD 3 | TIN 2 | 1-5645991-2 |
| DIM. A | LENGTH DIM. B | DIA | SPRING | EYELET | PART NO |
| THIS DRAWING IS A CONTROLLED DOCUMENT. | | | DWN J. POLIGNONE 26JAN06 CHK J. HAVENER 26JAN06 APVD J. HAVENER 26JAN06 PRODUCT SPEC 108-14008 APPLICATION SPEC 114-26004 | | |
| DIMENSIONS: mm [INCHES] | | TOLERANCES UNLESS OTHERWISE SPECIFIED: 0 PLC ± - 1 PLC ± - 2 PLC ± - 3 PLC ± 0.20[.008] 4 PLC ± - ANGLES ± - FINISH SEE TABLE | | NAME tyco Tyco Electronics Corporation Electronics Harrisburg, PA 17105-3608 | |
| MATERIAL 1 | | WEIGHT - | | SIZE A2 CAGE CODE 00779 DRAWING NO C=5645991 RESTRICTED TO - | |
| CUSTOMER DRAWING | | | SCALE 10:1 | | SHEET 1 of 1 REV 0 |