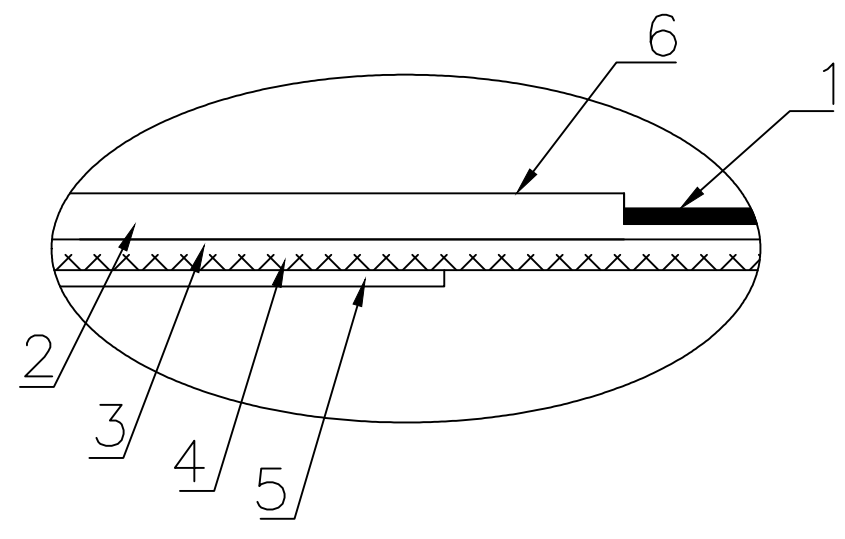


PART NO.	CKTS	LENGTH
15023-0251	51	2"
15023-0451	51	4"
15023-0651	51	6"
15023-0851	51	8"
15023-1051	51	10"
15023-1251	51	12"
15023-2451	51	24"

CABLE ENDS COMPATIBLE WITH MOLEX 503908 CONNECTOR

COMPOSITION:

Item	COMPONENTS	UNITS	SPECIFICATIONS
1	Conductor	Material	Gold plated contacts (0.8µm Ni/0.12µm Au min)
		Width	mm 0.30±0.02 mm
		Thickness	mm 0.050 mm nominal
2	Insulation tape	Material	- Polyester+flame retardant adhesive insulation
		Thickness	mm 0.086 mm nominal
3	Insulation tape	Material	- Polyester+flame retardant adhesive insulation
		Thickness	mm 0.086 mm nominal
4	Aluminum tape	Material	- Polyester/Aluminum/Adhesive
		Thickness	mm 0.119 mm nominal
5	Insulation tape	Material	- Polyester+flame retardant adhesive insulation
		Thickness	mm 0.043 mm nominal
6	Insulation tape	Material	- Polyester+flame retardant adhesive insulation
		Thickness	mm 0.043 mm nominal



DIMENSIONS:

ITEMS	MARK	NOMINAL	MINIMUM	MAXIMUM
Number of conductors		51	51	51
Pitch	[mm] P	0.50 ± 0.05	0.45	0.55
Span	[mm] E	25.00 ± 0.05	24.95	25.05
Total width	[mm] W1	29.00 ± 0.04	28.96	29.04
Total width cable body	[mm] W2	30.0 ± 0.1	29.9	30.1
Margin notched	[mm] M	2.00 ± 0.08	1.92	2.08
End thickness	[mm] T	0.33 ± 0.03	0.30	0.36
Cable thickness	[mm] CT	0.425 ± 0.05	0.375	0.475
Strip length	[mm] S1,S2	4.0 ± 0.5	3.5	4.5
Grounding length	[mm] G1,G2	6 ± 2	4	8

CHARACTERISTICS

ITEMS	VALUE	TEST METHOD
Resistance of conductor	1460 Ω/km maxi	-
Conductor to conductor insulation resistance	10 MΩ.m mini	200 V DC
Dielectric test (conductor to conductor)	1 minute	200 V AC
Temperature rating	-40°C / +80°C	UL2896
Voltage rating	30 V AC maxi	UL2896
Flame resistance	VW - 1	UL 758
Differential impedance	100 ±10 Ohms	-
Speed L: 2"-10"	5-10 Gigabits/sec	-
Speed L: 12"-14"	2-5 Gigabits/sec	-

DIMENSIONAL TOLERANCES		DIMENSIONAL TOLERANCES	
45 mm TO 60 mm	±2 mm	1.772 TO 2.400	±0.079
61 mm TO 100 mm	±3 mm	2.401 TO 3.975	±0.119
101 mm TO 200 mm	±4 mm	3.976 TO 7.912	±0.157
201 mm TO 1500 mm	±5 mm	7.913 TO 59.055	±0.197

INITIAL RELEASE EC NO: USW2016-0198 DRWN: MD 2016/02/24	QUALITY SYMBOL ▼=0 ▽=0	GENERAL TOLERANCES (UNLESS SPECIFIED) mm INCH 4 PLACES ±--- ±--- 3 PLACES ±--- ±--- 2 PLACES ±--- ±--- 1 PLACE ±--- ±---	DIMENSION STYLE INCH [MM] DRAWN BY DATE MDIGGIKA 2016/02/25 CHECKED BY DATE --- APPROVED BY DATE ---	SCALE NONE DESIGN UNITS METRIC THIRD ANGLE PROJECTION	TITLE LVDS CKTS 51
	ANGULAR ±1° DRAFT WHERE APPLICABLE MUST REMAIN WITHIN DIMENSIONS	MATERIAL NO. SEE CHART	MOLEX INCORPORATED DOCUMENT NO. SD-15023-051	SHEET NO. 1 OF 1	
	SIZE C	THIS DRAWING CONTAINS INFORMATION THAT IS PROPRIETARY TO MOLEX INCORPORATED AND SHOULD NOT BE USED WITHOUT WRITTEN PERMISSION			