

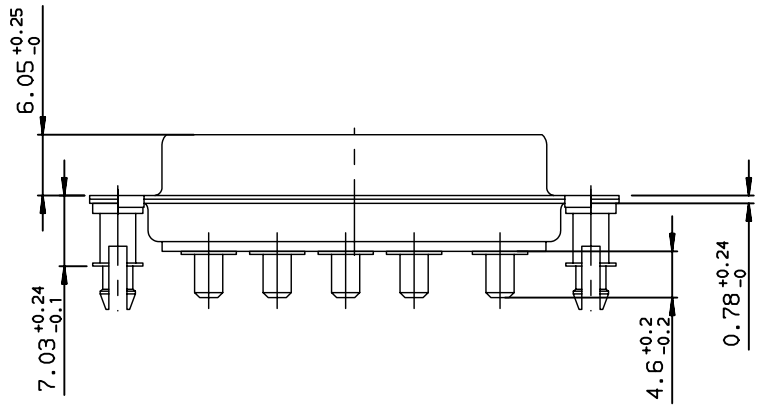
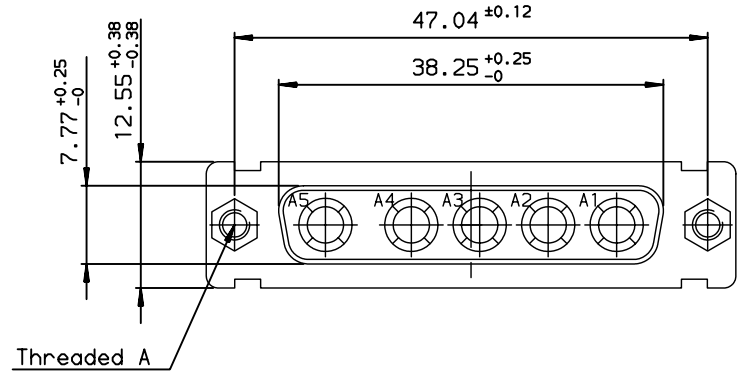
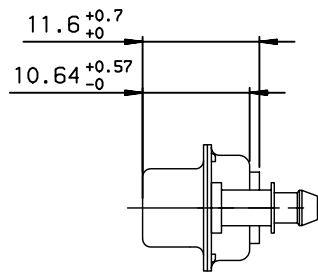
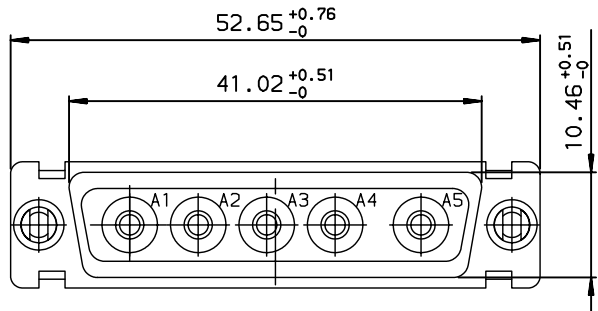
1

2

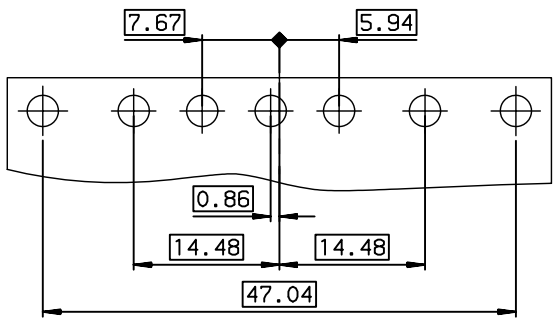
3

4

GENERAL CHARACTERISTICS : SEE DRAWING C01-8639-0001



LAYOUT DIMENSIONS (after plating)
CONNECTOR SIDE VIEW



DB05W5S300H40	UNC 4.40
DBL5W5S300H40	M3
PART NUMBER	Threaded A

European Views

www.fciconnect.com		surface ISO 1302 ✓	tolerance std ISO 406 ISO 1101	projection mm
TOLERANCES UNLESS OTHERWISE SPECIFIED				
Dr	JARRY	2003/01/10	ANGULAR	LINEAR
Eng	JARRY	2003/01/10	0.X	±0.1
Chr	LEGARE	2003/01/10	0.XX	±0.1
Appr	LEGARE	2003/01/10	0.XXX	±0.1
Product family			SUB	ECN LS07-0302
Title			SPEC ref -	
SOCKET CONNECTOR 5W5			Size A3 Scale 2	
WITH POWERS CONTACTS			Rev. C	
catalog no			C01-8639-1894	
CUSTOMER			sheet 1 of 1	

rev	ecn no	dr	date
B	-	CJA	2003/01/10
C	LS07-0302	MPE	2007/11/29
-	-	-	-
-	-	-	-
-	-	-	-
-	-	-	-

Copyright FCI, FCJ

REV F - 2006-04-17

1

2

3

4