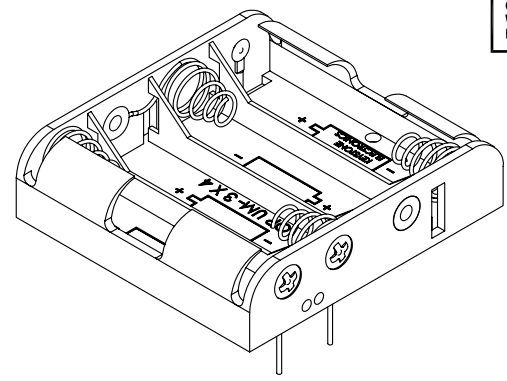
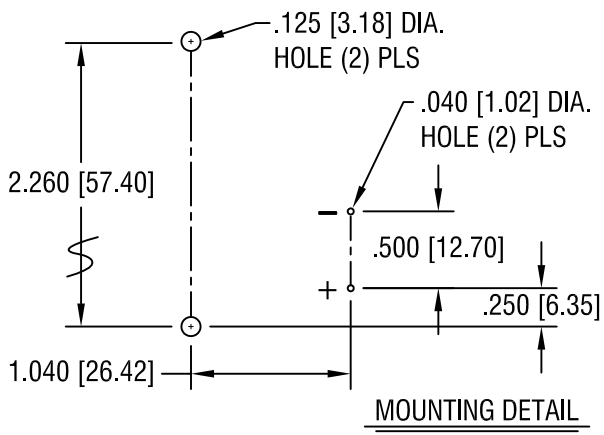
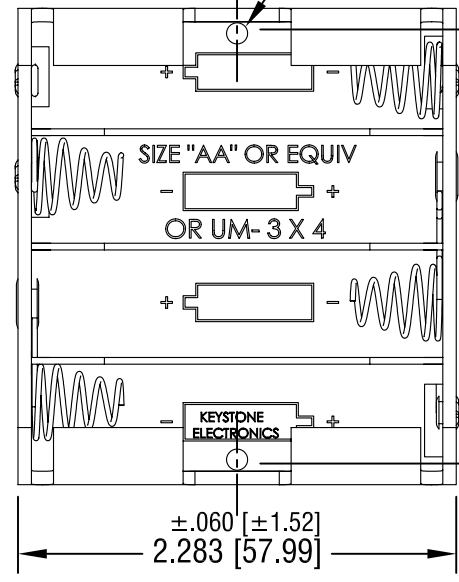
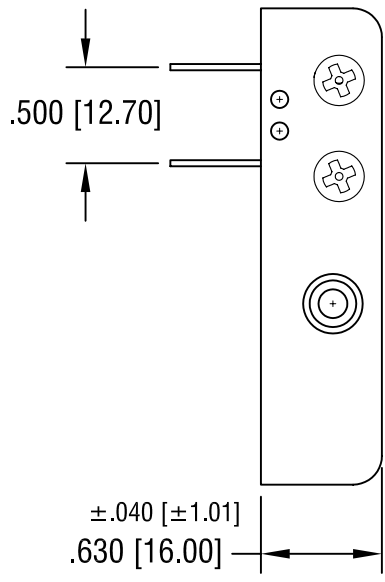


THIS DOCUMENT IS THE PROPERTY OF KEYSTONE ELECTRONICS CORP. AND SHALL NOT BE REPRODUCED, DISTRIBUTED OR USED AS A BASIS FOR MANUFACTURE WITHOUT PRIOR WRITTEN PERMISSION FROM KEYSTONE ELECTRONICS CORP.



$\pm .005 [\pm 0.15]$

.115 [2.92] DIA. HOLE (2) PLS



$\pm .020 [\pm 0.50]$
2.260 [57.40]

$\pm .040 [\pm 1.01]$
2.480 [62.99]

$\pm .060 [\pm 1.52]$
.468 [11.89]

.102 [2.59]

NOTE:
 1. HOLDER: MAT'L: POLYPROPYLENE
 SPRING: MAT'L: MUSIC WIRE, .027 [0.70] DIA.
 PC TERMINALS: MAT'L: BRASS, .032 [0.81] DIA.

KEYSTONE ELECTRONICS CORP.			
ASTORIA, N.Y. 11105-2017			
PART NAME		PC BATTERY HOLDER (4) 'AA'	
MATERIAL			
AS NOTED			
FINISH		DRN BY	DATE
NICKEL PLATE		BOONE	3.1.99
		APP'D	SCALE
		LN	1X
TOLERANCES	INCH [MM]	CODE	DWG NO.
DECIMAL	$\pm .015 [\pm 0.38]$	C/M	2477
ANGULAR	$\pm 1^\circ$		
UNLESS OTHERWISE SPECIFIED			

9.13.08	CHANGE AS PER ECN 08-154	D
7.14.03	CHANGE AS PER ECN 03-044	C
4.7.03	CHANGE AS PER ECN 03-028	B
11.10.99	CHANGE AS PER ECN 99-082	A
DATE	DESCRIPTION	REV.