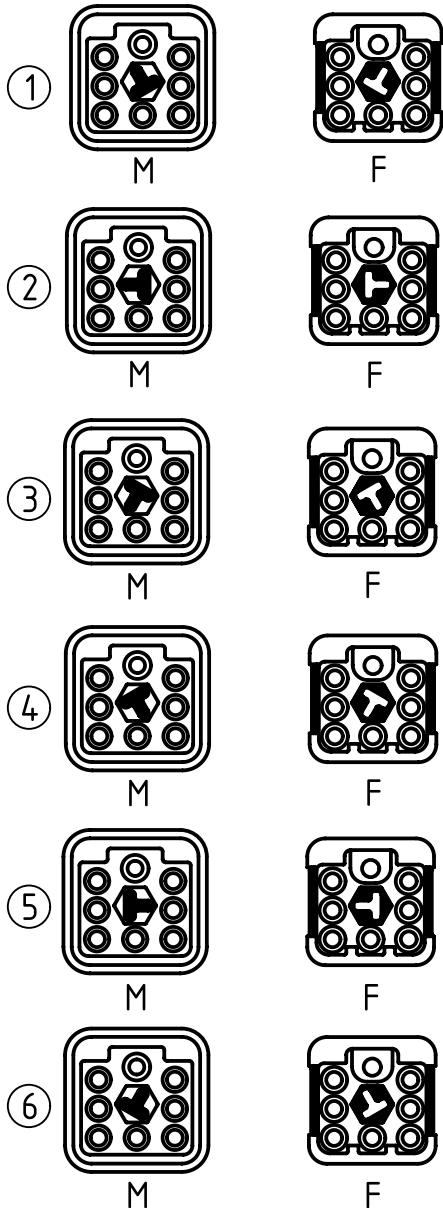
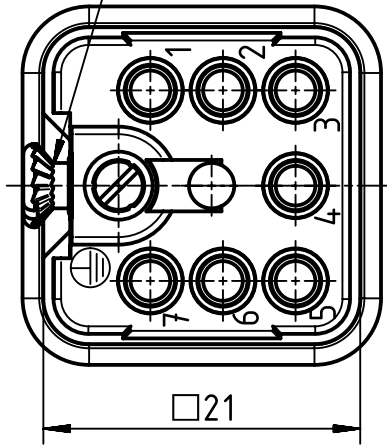


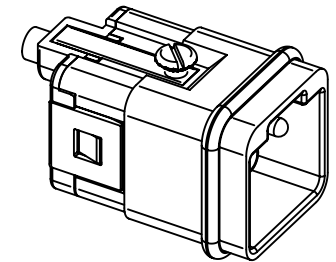
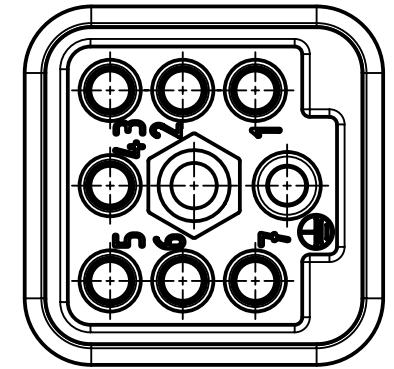
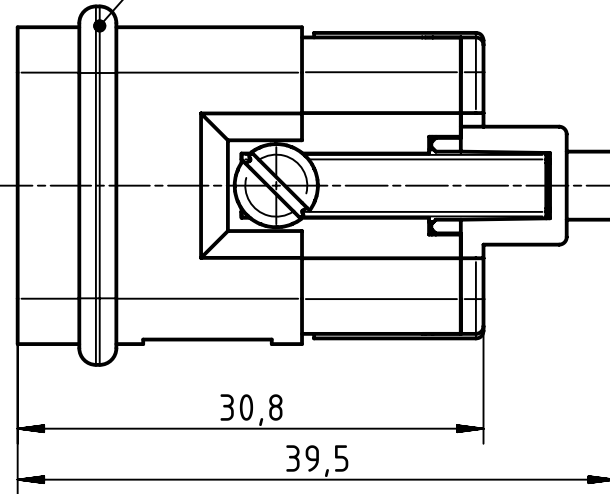
coding possibilities with
coding pin 09 12 000 9901




insert fixing screw is
enclosed separately



seal



	All rights reserved Department EL PD - DE HARTING Electric GmbH & Co. KG D-32339 Espelkamp	All Dimensions in mm Original Size DIN A4	Scale 2:1	Free size tol.	Ref. Sub.
		Created by RULLKOETTER	Inspected by SCHNIEDER	Standardisation TIEMANNA	Date 2014-10-23
Title Han Q 7/0-male					Doc-Key / ECM-Nr. 100132517/UGD/007/A 500000081101
Type TB		Number 09 12 007 3001			Rev. A
					Page 1/1