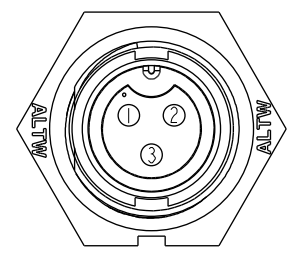
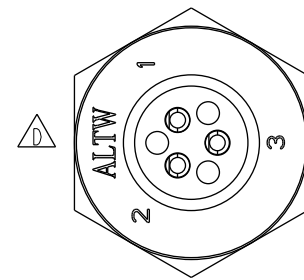
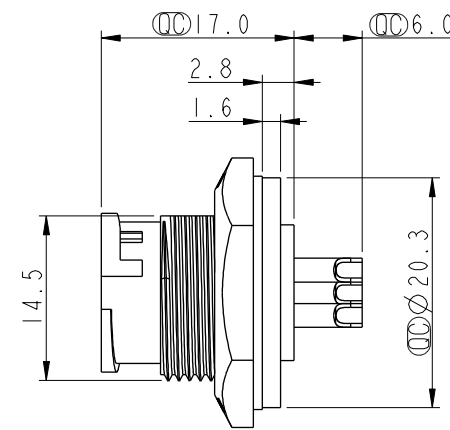
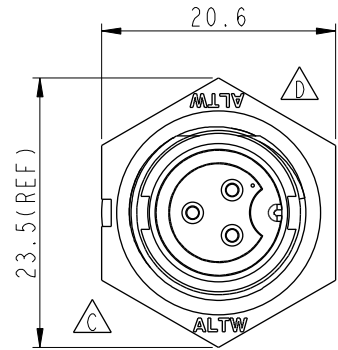


THIS DOCUMENT IS SUBJECT TO CHANGE WITHOUT NOTICE. IT IS CONFIDENTIAL AND A PROPERTY OF AMPHENOL LTW. DISCLOSURE TO THIRD PARTY HAS TO BE AUTHORIZED BY AMPHENOL LTW.

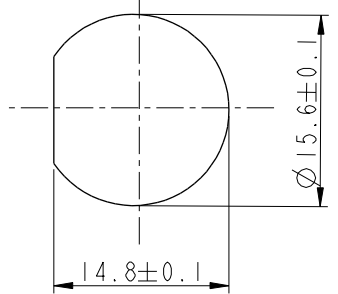
REV.	ECN NO.	DATE	SIGN	DESCRIPTION
B		2008/09/19	Shin	Add Note
C	LE3-8C0065	2008/11/07	TOMMY	Change To Pin Hole
D	LEN1730295	2017/03/21	Ruru	Change Logo

ALTW
 CONFIDENTIAL
 2017-03-21
 R&D DEPT.

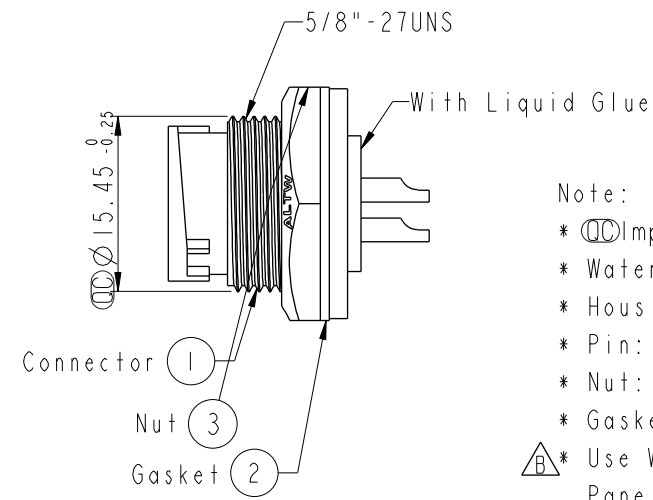
ALTW
 DCC. DEPT.
 CONFIDENTIAL
 2017.03.30
 ISSUED



Pin Assignments
Front View



Recommended Panel Cut-out



- Note:
- * \varnothing Important Dimension To Check.
 - * Waterproof Rate: IP67
 - * Housing: Black, Nylon+GF
 - * Pin: Copper Alloy, Gold Plated
 - * Nut: Black, Nylon+GF
 - * Gasket: Black, EPDM
 - \triangle * Use With Waterproof Cap Or Dust Cap
Panel Thickness Max: 3.0mm
 - \triangle * Use Without Waterproof Cap Or Dust Cap
Panel Thickness Max: 4.5mm

UNIT: mm		
TOLERANCE	.X ±0.25	
	.XX ±0.1	
	.XXX ±0.05	
ANGLES	±1°	

TITLE Standard Panel Lock 3Pin M Conn F Pin			
SCALE 2:1	SIZE A4	SHEET 1 OF 1	
REV. D	WC-REV. A.2	\varnothing : Inspection item	

Amphenol LTW
 安費諾亮泰企業股份有限公司

ITEM NO. BD-03PMFS-LC7001	DRAWN BY Ruru	DATE 2017-03-21
DWG NO. BD-03PMFS-LC7001	CHECKED BY Rita	DATE 2017-03-21
CUSTOMER ALTW	APPROVED BY Max	DATE 2017-03-21