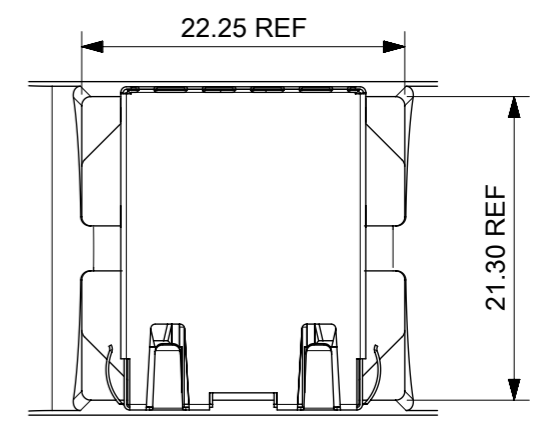
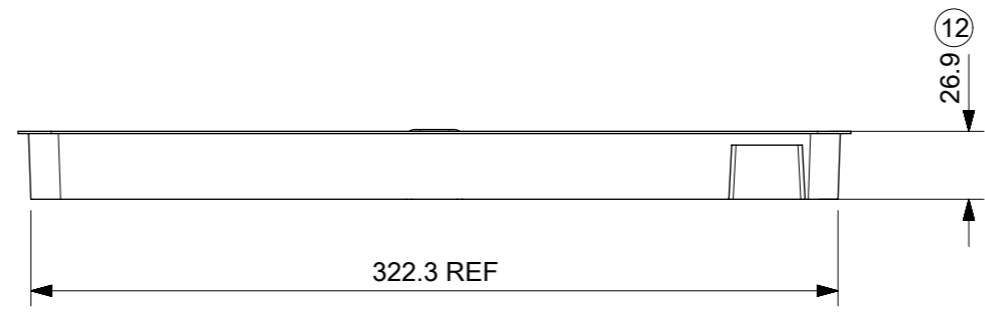
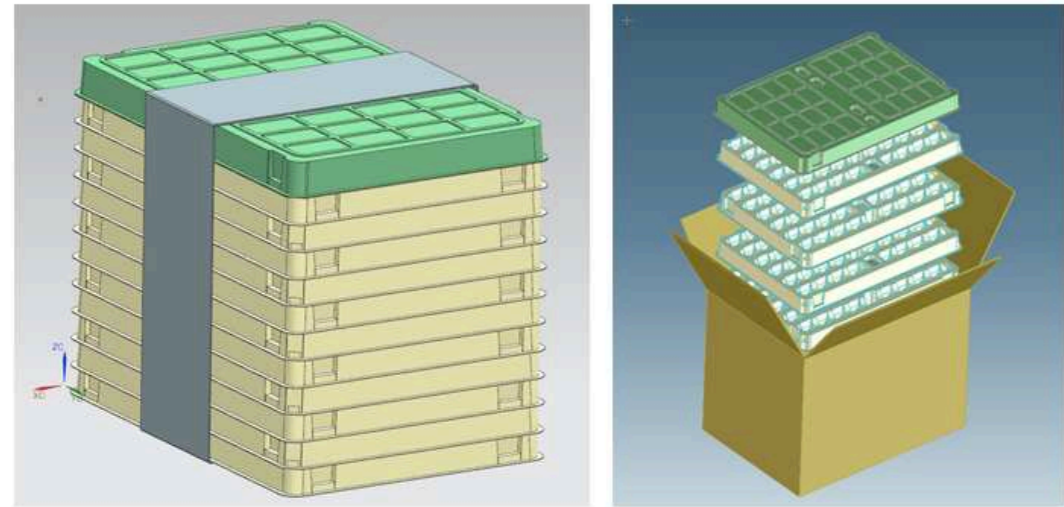
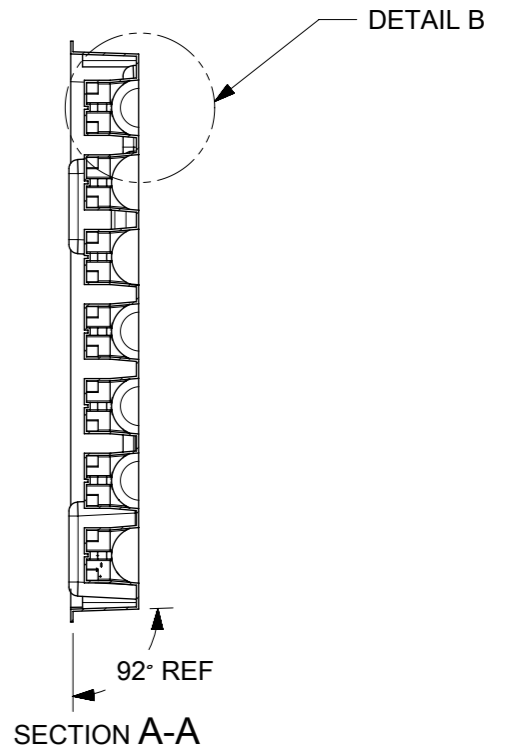
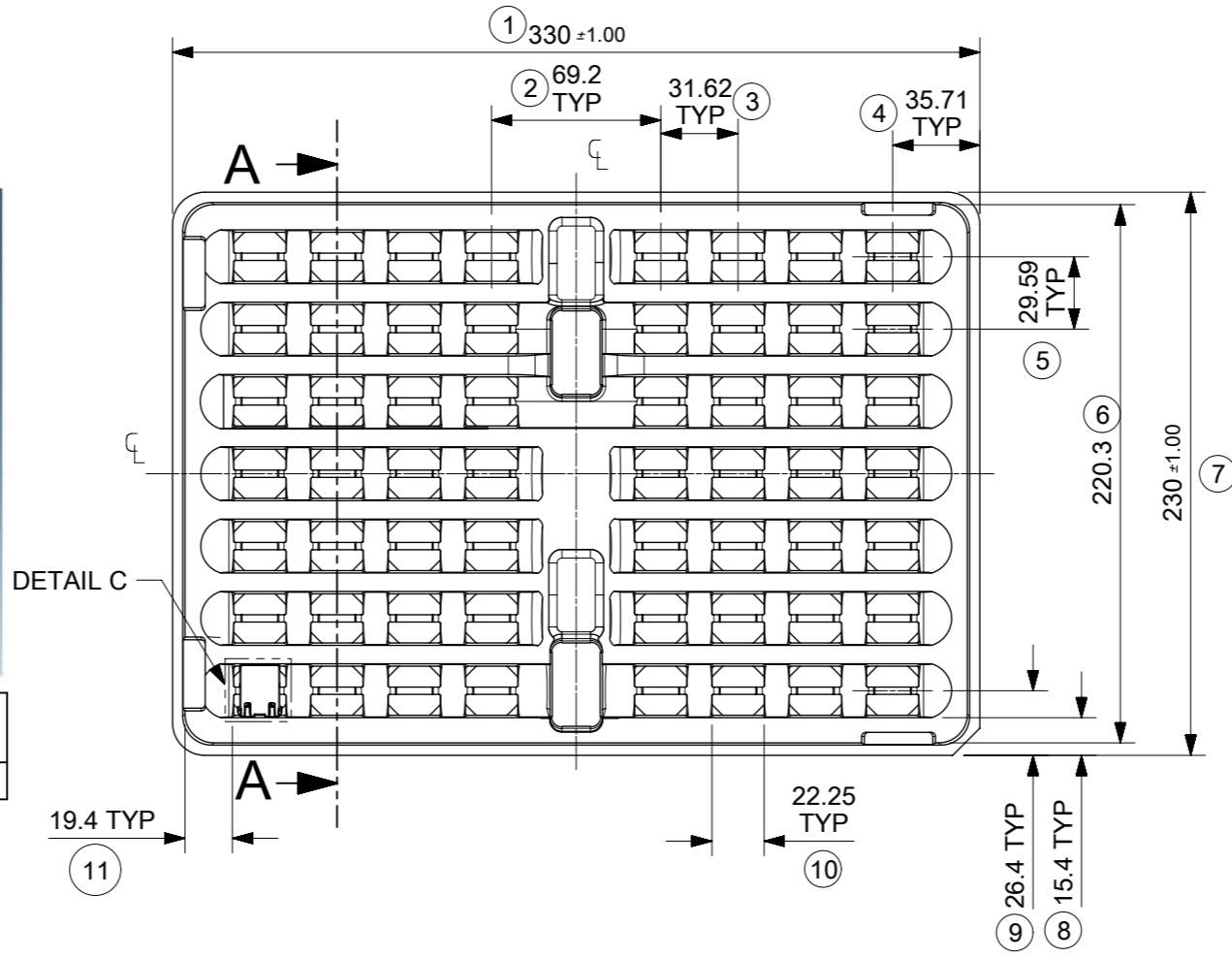


DETAIL B



DETAIL C  
SCALE 2:1



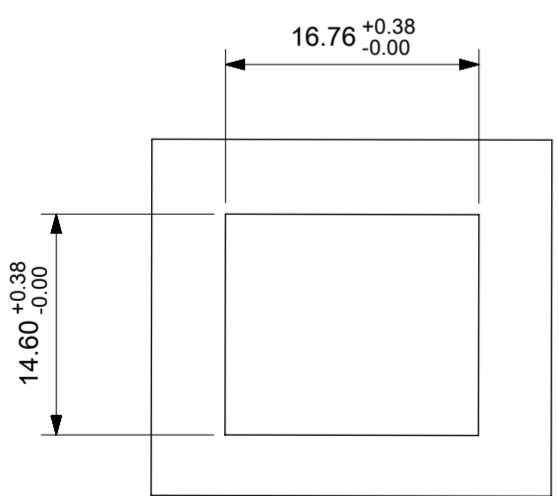
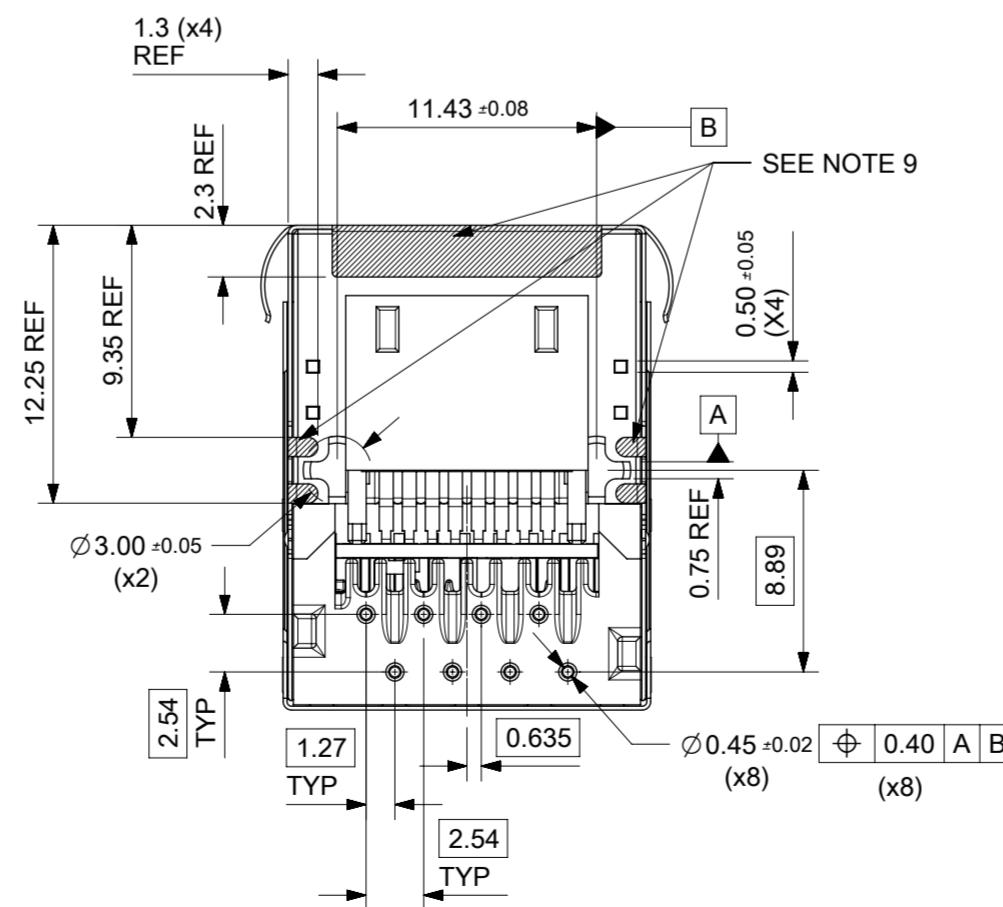
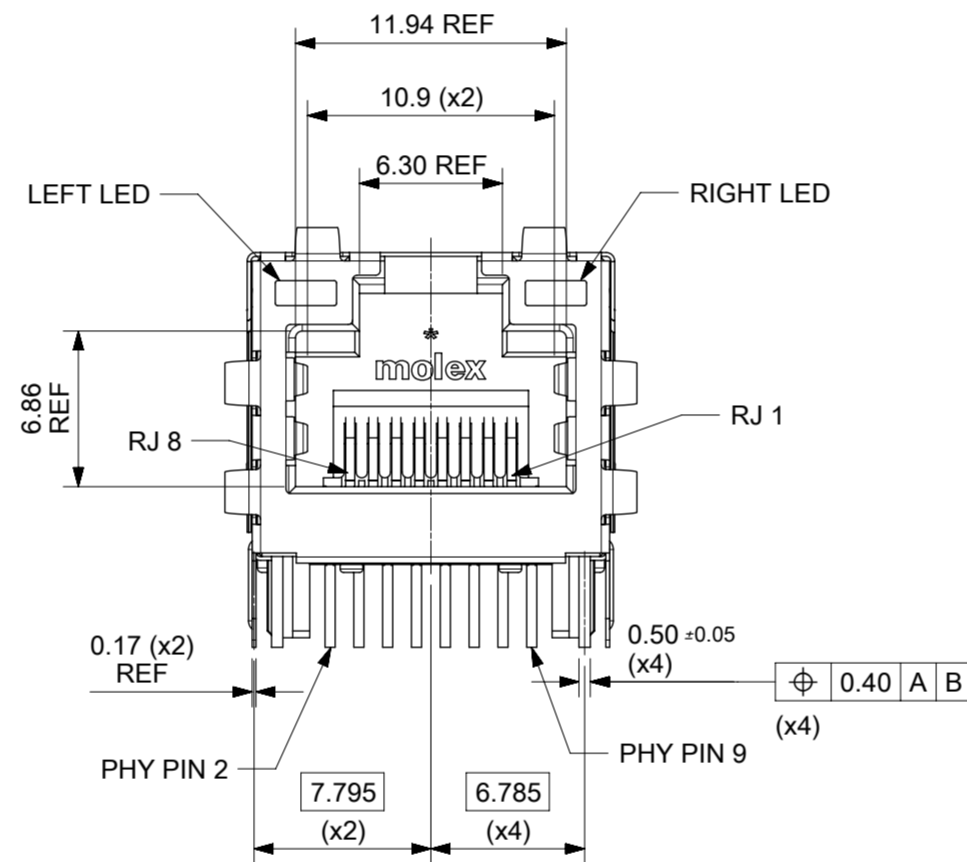
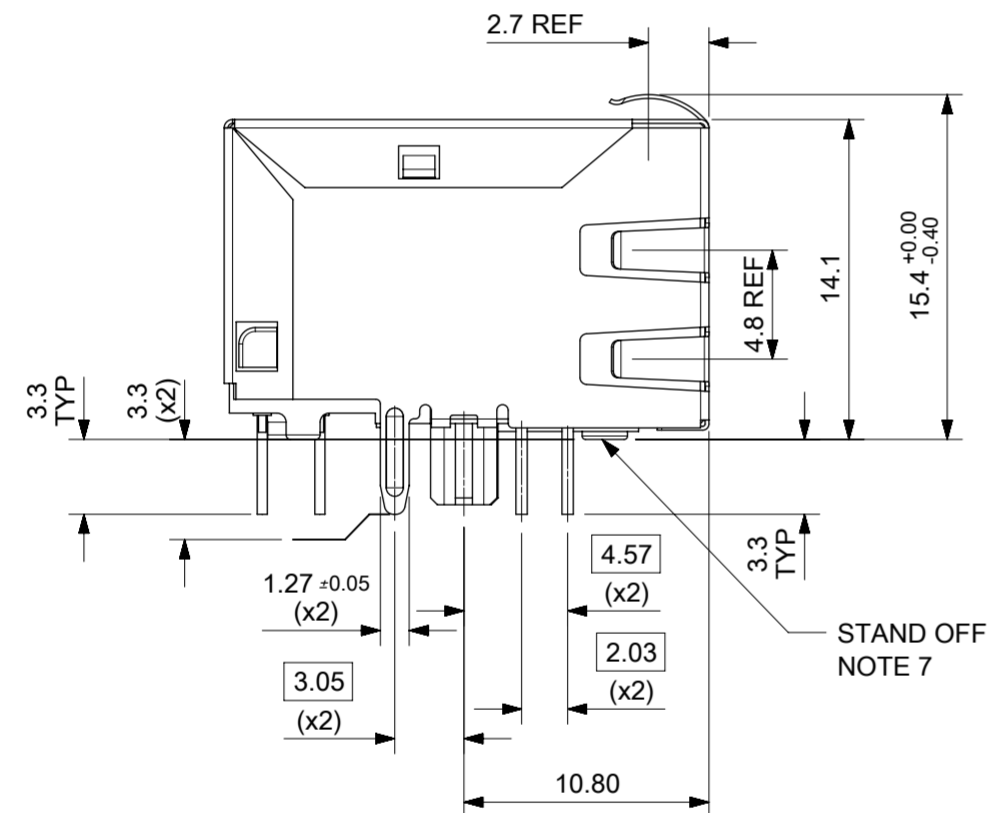
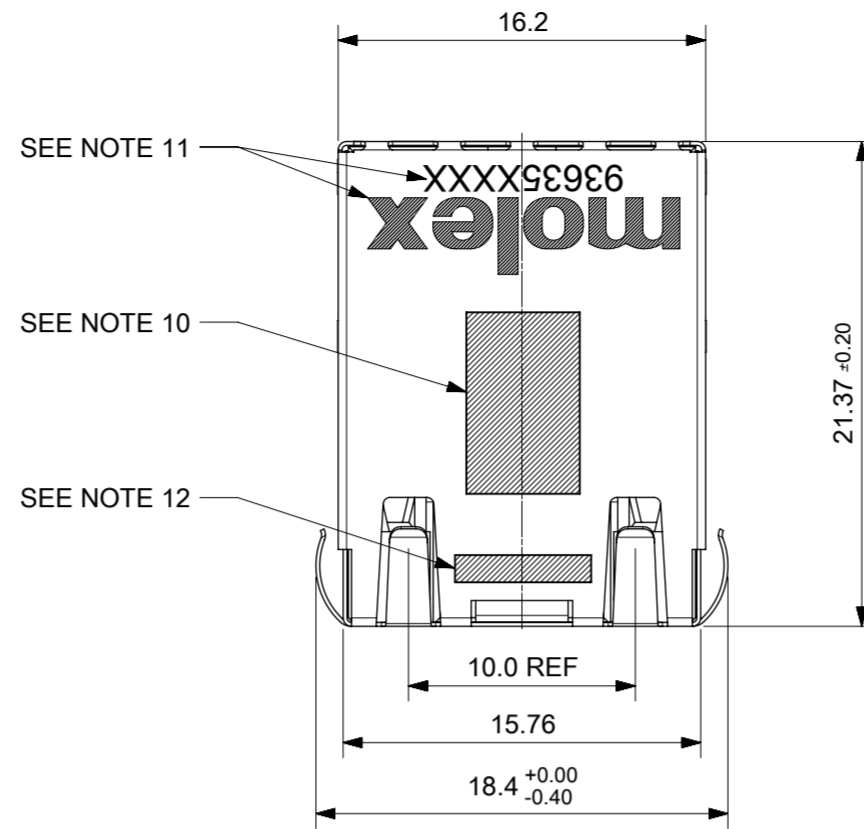
VERSION	QUANTITY PER TRAY	QUANTITY OF TRAYS PER BOX	QUANTITY PER BOX	QUANTITY PER PALLET
0.85" VERSION	56	12	672	18,144

- NOTES:
- MATERIAL: PETA ANTISTATIC
  - THICKNESS: 0.9mm ±0.05mm
  - COLOUR: CLEAR
  - BOW 2mm MAXIMUM PER 330mm
  - TWIST 2mm MAXIMUM PER 330mm
  - TRAY PART NO. AND RECYCLE LOGO TO BE CLEARLY MARKED ON TRAY  
RECYCLE LOGO SHOULD BE APPROPRIATE TO MATERIAL USED
  - WHERE RELEVANT, DIMENSIONS SHOULD BE SYMMETRICAL ABOUT THE CENTRELINE
  - GENERAL PROFILE TOLERANCE  $\overline{\cup}$  0.40 ON NON DIMENSIONED FEATURES

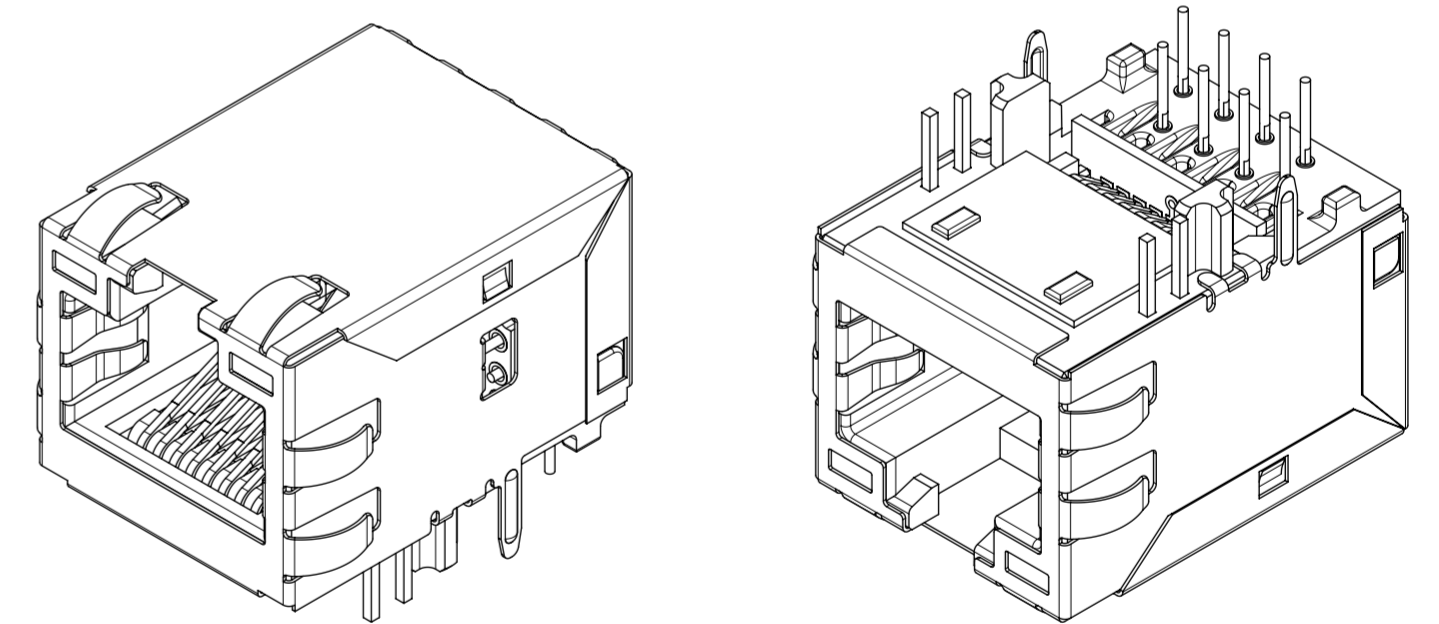
LAST INSPECTION NUMBER USED: 12

THIS DRAWING CONTAINS INFORMATION THAT IS PROPRIETARY TO MOLEX ELECTRONIC TECHNOLOGIES, LLC AND SHOULD NOT BE USED WITHOUT WRITTEN PERMISSION												
QUALITY SYMBOLS		ORIGINAL RELEASE		GENERAL TOLERANCES (UNLESS SPECIFIED)		DIMENSION UNITS		SCALE				
$\nabla$	= 0	2016/10/04	2016/12/07	ANGULAR TOL ± 1.0 °		MM	1:3	DRWN BY				DATE
$\nabla$	= 0	EC NO: 109024	DRWN: DALLENO1	CHK'D: DALLENO1	APPR: STGRIFFIN	4 PLACES ±		KREILLY				2016/05/06
$\nabla$	= 0					3 PLACES ±		CHK'D BY				DATE
$\nabla$	= 0					2 PLACES ± 0.2		APPR BY		DATE		
$\nabla$	= 0	1 PLACE ± 0.5		DRAFT WHERE APPLICABLE MUST REMAIN WITHIN DIMENSIONS		DRAWING SIZE		THIRD ANGLE PROJECTION		PRODUCT CUSTOMER DRAWING		
$\nabla$	= 0	0 PLACES ±				A3				SERIES		
$\nabla$	= 0									MATERIAL NUMBER		
										CUSTOMER		
										93462		
										990250150		
										GENERAL MARKET		
										DOCUMENT NUMBER		
										934620003		
										DOC TYPE		
										PSD		
										DOC PART		
										K		
										SHEET NUMBER		
										1 OF 1		

INVERTED PROFILE MAGNETIC JACK  
FAST ETHERNET W/SHIELD TABS

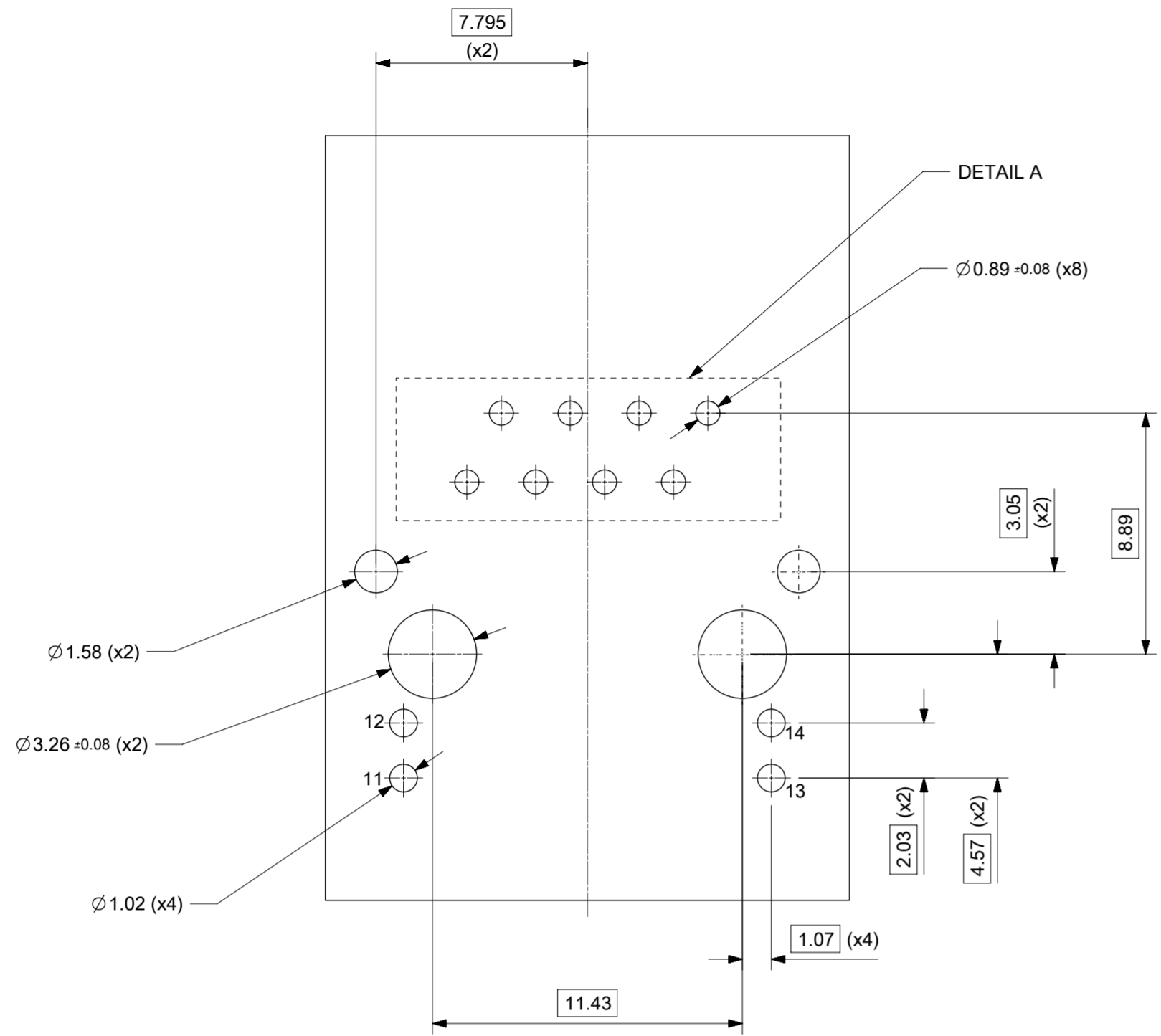


SUGGESTED PANEL CUT-OUT

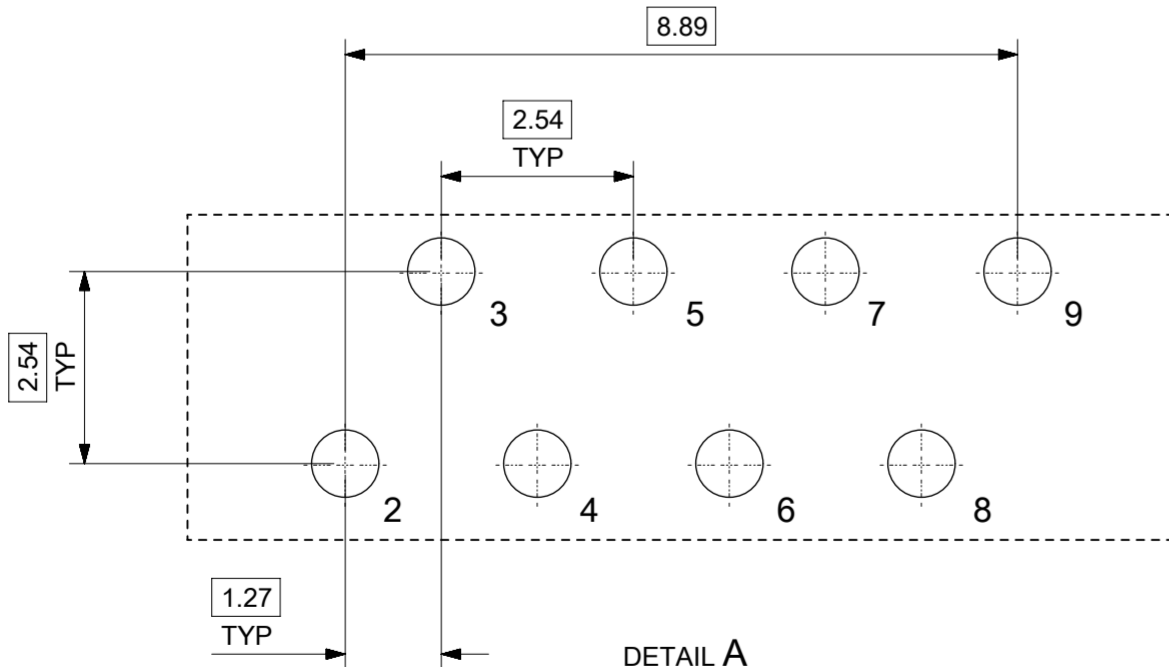


- NOTES:
- SHIELD MATERIAL: 0.17 mm THICK BRASS PRE-PLATED WITH NICKEL  
SOLDER TABS POST DIPPED WITH MIN 1.27 μm TIN
  - HOUSING MATERIAL: LCP, BLACK, UL 94V-0
  - TERMINALS MATERIAL: PHOSPHOR BRONZE  
RJ45 CONTACTS PLATING: BASE NICKEL PLATED WITH GOLD  
FLASH OVER PALLADIUM NICKEL. REFER TO 934620001 PSP  
PHY SOLDER TAILS: COPPER ALLOY
  - MATING INTERFACE ACCORDING TO IEC 60603-7 & TIA-1096-A
  - PRODUCT SPECIFICATION: 934620001 PSP
  - PACKAGING SPECIFICATION: 934620001 PSK - TRAY
  - STAND OFF TO SYSTEM BOARD 0.30 mm MIN
  - RECOMMENDED PCB THICKNESS: 1.57 mm
  - SHIELD: AVOID ROUTING TRACES  
OR PLACING ANY VIAS BELOW THESE AREAS
  - AREA FOR PICK AND PLACE: 5.0 mm X 8.0 mm
  - INSCRIPTION MARKED BY LASER:  
1st : MOLEX  
2nd : P/N (SEE BOM)
  - INSCRIPTION MARKED BY LASER:  
DATE CODE(DAY/WEEK/YEAR)
  - MATERIAL COMPLIANT TO RoHS DIRECTIVE 2002/95/EC

THIS DRAWING CONTAINS INFORMATION THAT IS PROPRIETARY TO MOLEX ELECTRONIC TECHNOLOGIES, LLC AND SHOULD NOT BE USED WITHOUT WRITTEN PERMISSION		GENERAL TOLERANCES (UNLESS SPECIFIED)		DIMENSION UNITS	SCALE	<b>molex</b>	
REVISIONS		ANGULAR TOL ± 2.0 °		mm	3:1		
EC NO: 116686	2017/05/09	DRWN: KREILLY	2017/09/12	DRWN BY	DATE	INV MX-MAG 6 CORE FE W/SHIELD	
CHKD: DSHEA	2017/09/26	CHKD: DSHEA	2017/09/26	CHK'D BY	DATE	PRODUCT CUSTOMER DRAWING	
APP: DBYRNES		APP: DBYRNES		APPR BY	DATE	SERIES	MATERIAL NUMBER
				STGRIFFIN	2015/11/19	93635	SEE TABLE ON SHEET 2
				DRAFT WHERE APPLICABLE MUST REMAIN WITHIN DIMENSIONS	DRAWING SIZE	THIRD ANGLE PROJECTION	CUSTOMER
				A2	A2	GENERAL MARKET	
						DOCUMENT NUMBER	DOC TYPE
						936350001	PSD
						DOC PART	SHEET NUMBER
						000	1 OF 3



SUGGESTED BOARD LAYOUT  
GIGABIT VERSION  
COMPONENT SIDE  
ALL DIMS REFERENCE DIMS



DETAIL A  
SCALE 10:1

PIN CONFIGURATION  
FOR FAST ETHERNET VERSION

PART NUMBER	LEFT LED	RIGHT LED
93635-8314	YELLOW	GREEN

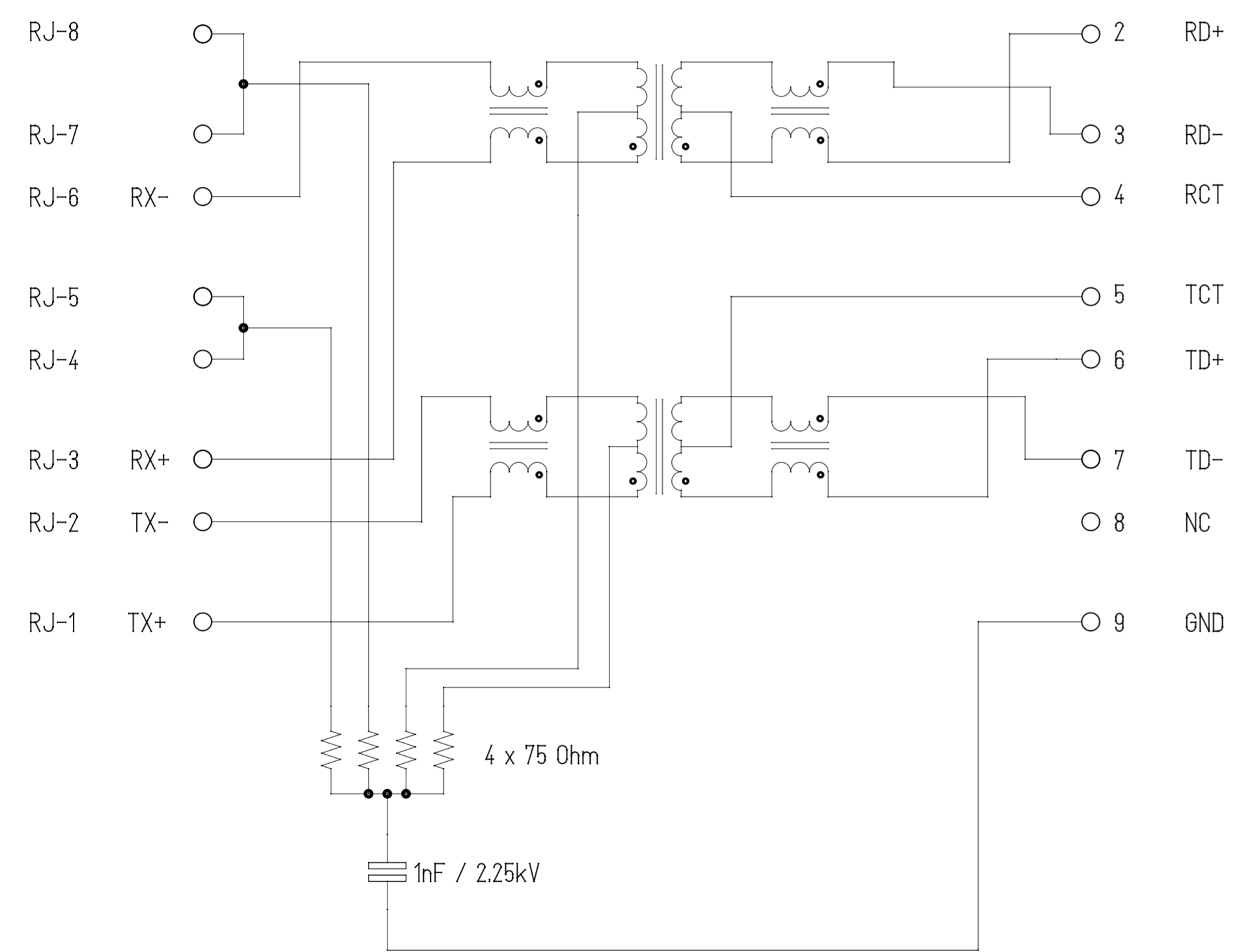
THIS DRAWING CONTAINS INFORMATION THAT IS PROPRIETARY TO MOLEX ELECTRONIC TECHNOLOGIES, LLC AND SHOULD NOT BE USED WITHOUT WRITTEN PERMISSION												
REVISED	EC NO: 116686	2017/05/09	GENERAL TOLERANCES (UNLESS SPECIFIED)	DIMENSION UNITS	SCALE	<b>molex</b> INV MX-MAG 6 CORE FE W/SHIELD						
	DRWN: KREILLY	2017/09/12	ANGULAR TOL ± 2.0 °	mm	5:1							
	CHKD: DSHEA	2017/09/26	4 PLACES ±	DRWN BY	DATE	PRODUCT CUSTOMER DRAWING						
	APP: DBYRNES		3 PLACES ±	KREILLY	2015/10/02	SERIES MATERIAL NUMBER CUSTOMER						
			2 PLACES ± 0.1	CHK'D BY	DATE	93635 SEE TABLE GENERAL MARKET						
			1 PLACE ± 0.2	DBYRNES	2015/09/12	DOCUMENT NUMBER DOC TYPE DOC PART SHEET NUMBER						
		0 PLACES ±	APPR BY	DATE	936350001 PSD 000 2 OF 3							
		DRAFT WHERE APPLICABLE MUST REMAIN WITHIN DIMENSIONS	STGRIFFIN	2015/11/19	DRAWING SIZE	THIRD ANGLE PROJECTION						
B			A2									

RJ-45 CONTACTS

WIRE-SIDE / RJ-45

ETHERNET MAGNETICS

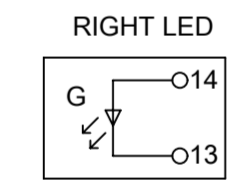
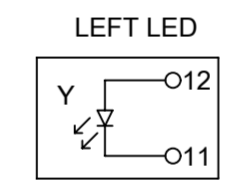
PHY-SIDE / PCB SIDE



Shield

Description	Value	
OCL @100 kHz, 0.1 V 8 mA DC bias (-40°C to +85°C)	350 µH min.	
Turns ratio	1CT:1CT	
Transmission characteristics @ 25°C, all four pairs		
Insertion Loss		
Frequency f, (MHz)	Limits (dB max.)	Typical Values (dB max.)
1.0-9.9	0.4+0.1*log(f)	0.5 @ 10 MHz
10-49.9	0.5+0.3*log(f/10)	0.7 @ 50 MHz
50-79.9	1+1.4*log(f/80)	1.0 @ 80 MHz
80-100	1.3+3*log(f/100)	1.3 @ 100 MHz
Return Loss		
Frequency f, (MHz)	Limits (dB min.)	Typical Values (dB min.)
1.0-39.9	18	18 @ 40 MHz
40-100	12-20*log(f/80)	10 @ 100 MHz
CMR		
Frequency f, (MHz)	Limits (dB min.)	Typical Values (dB min.)
1.0-100	30	30 @ 100 MHz
Next		
Frequency f, (MHz)	Limits (dB min.)	Typical Values (dB min.)
1.0-39.9	35	35 @ 40 MHz
40-100	33-20*log(f/50)	27 @ 100 MHz
Isolation PHY to wire side	2.25 kVDC/60sec	

ETHERNET TERMINALS



THIS DRAWING CONTAINS INFORMATION THAT IS PROPRIETARY TO MOLEX ELECTRONIC TECHNOLOGIES, LLC AND SHOULD NOT BE USED WITHOUT WRITTEN PERMISSION

REVISED	EC NO: 116686	2017/05/09	GENERAL TOLERANCES (UNLESS SPECIFIED)	DIMENSION UNITS	SCALE	<b>molex</b> INV MX-MAG 6 CORE FE W/SHIELD		
	DRWN: KREILLY	2017/09/12	(UNLESS SPECIFIED)	mm	1:1			
	CHKD: DSHEA	2017/09/26	ANGULAR TOL ± 2.0 °	DRWN BY	DATE		KREILLY 2015/10/02	
	REV	APPR: DBYRNES		CHK'D BY	DATE		DBYRNES 2015/09/17	
				APPR BY	DATE		STGRIFFIN 2015/11/19	
DRAFT WHERE APPLICABLE MUST REMAIN WITHIN DIMENSIONS			DRAWING SIZE	THIRD ANGLE PROJECTION	SERIES	MATERIAL NUMBER	CUSTOMER	
			A2		93635	SEE TABLE ON SHEET 2	GENERAL MARKET	
					DOCUMENT NUMBER	DOC TYPE	DOC PART	SHEET NUMBER
					936350001	PSD	000	3 OF 3