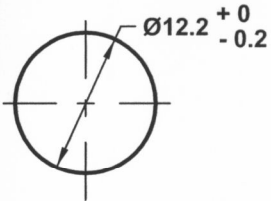
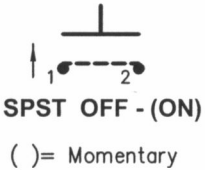
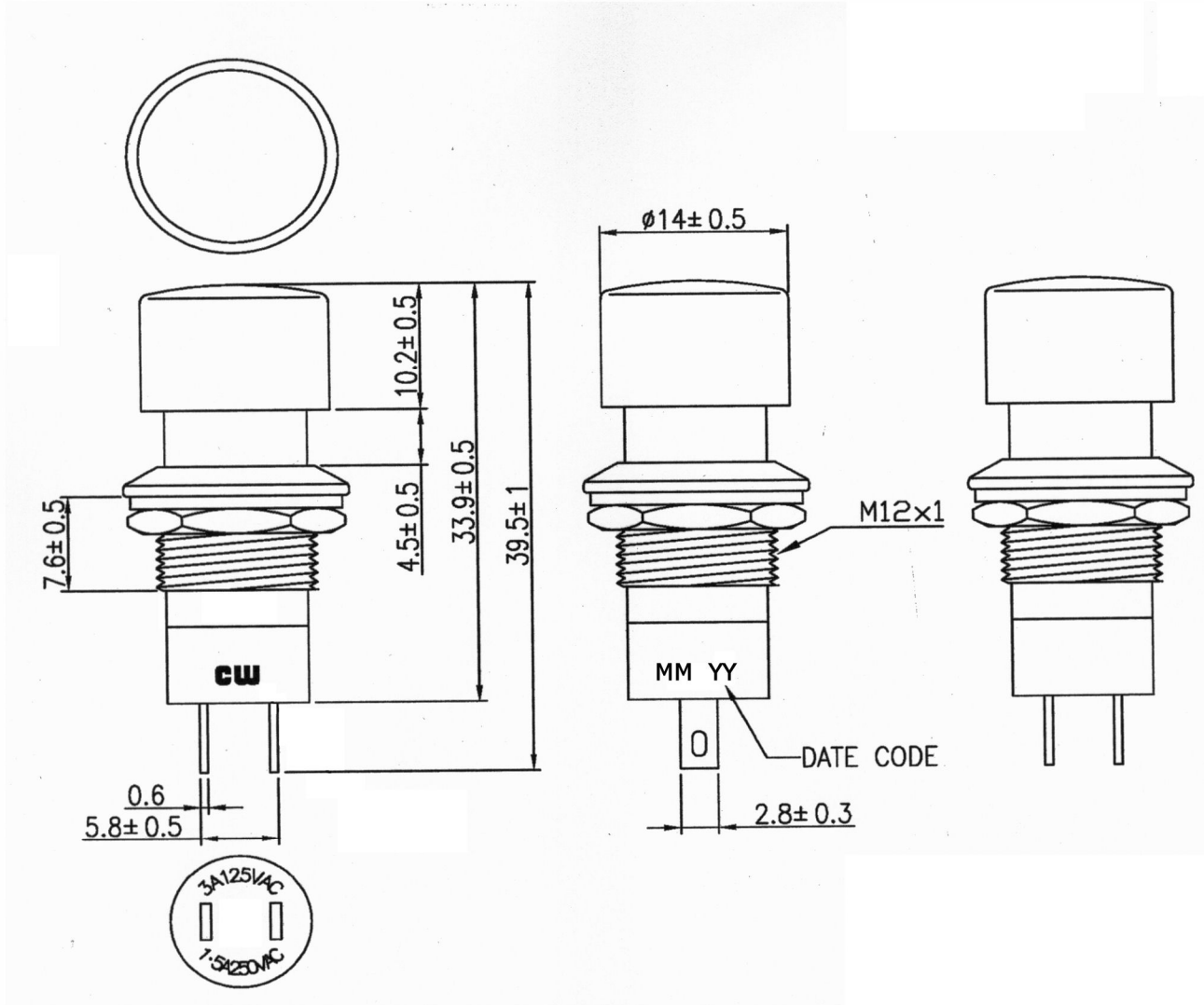


THIS INFORMATION IS CONFIDENTIAL AND PROPRIETARY TO CW INDUSTRIES INCORPORATED AND ITS AFFILIATES. IT MAY NOT BE DISCLOSED TO ANYONE, OTHER THAN CW INDUSTRIES PERSONNEL, WITHOUT WRITTEN AUTHORIZATION FROM CW INDUSTRIES INCORPORATED, SOUTHAMPTON, PENNSYLVANIA USA.

| | | | |
|--|-------------------------|---|--|
| Rating | 1.5A. 250V, 3A. 125V AC |  |  |
| Contact Resistance | 50m ohm max. | | |
| Insulation Resistance | DC 500V 100M ohm min. | | |
| Dielectric Strength | AC 1000V 1 minute | | |
| BASE COLOR: Black BUTTON COLOR: Black | | Cut-Out 4mm thk. max. | |



RoHS Compliant

CW INDUSTRIES
 Southampton, Pa. 18966
 Tel 215.355.7080/www.cwind.com

| | | | |
|----------------------------------|--------|----------------------------|---------------------|
| Date Drawn: 12/23/09 | Rev. 0 | Unit: mm | Checked By: G. Guld |
| Title: PUSH BUTTON SWITCH | | CW P/N: GPB040A05BB | |