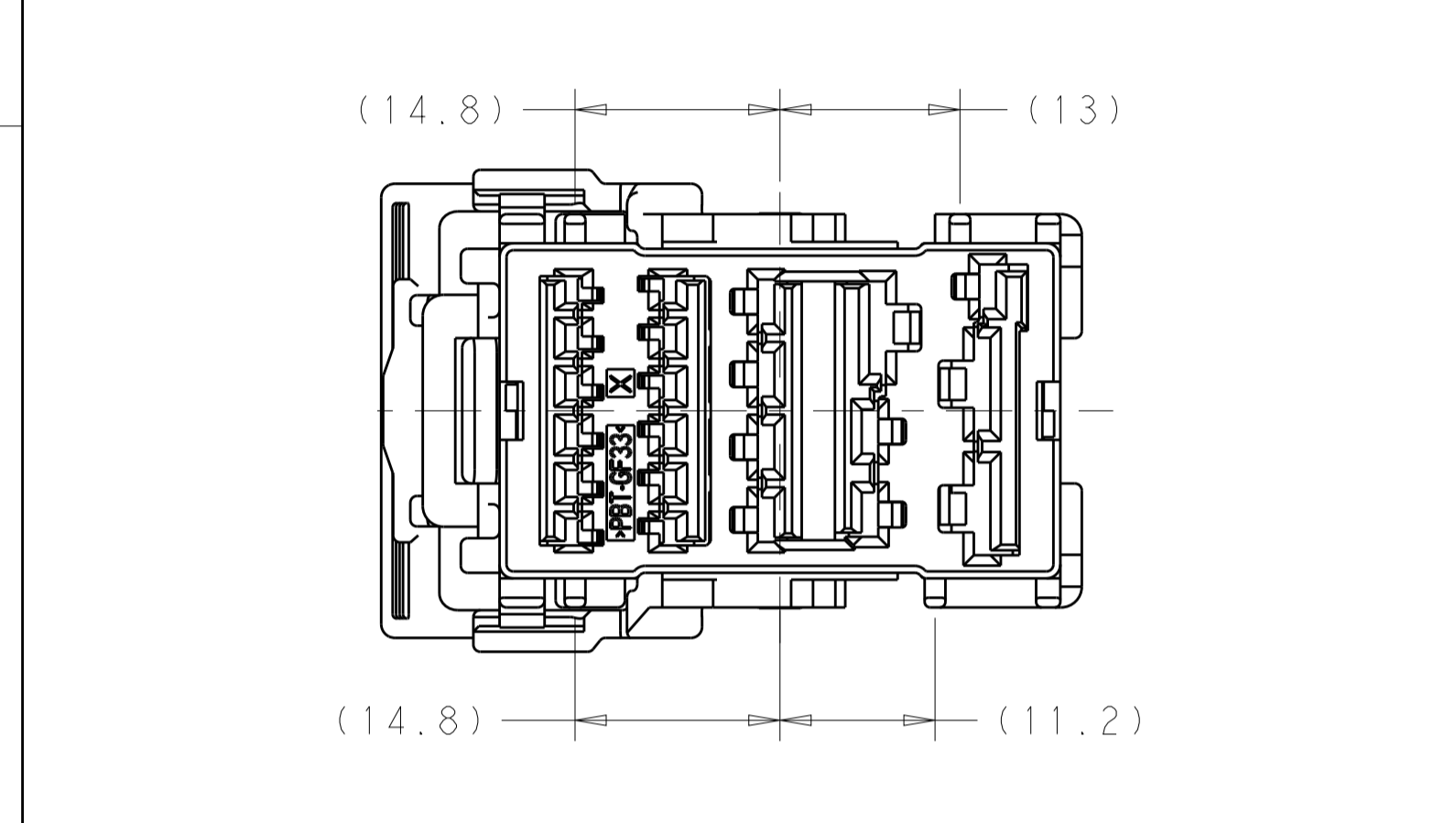
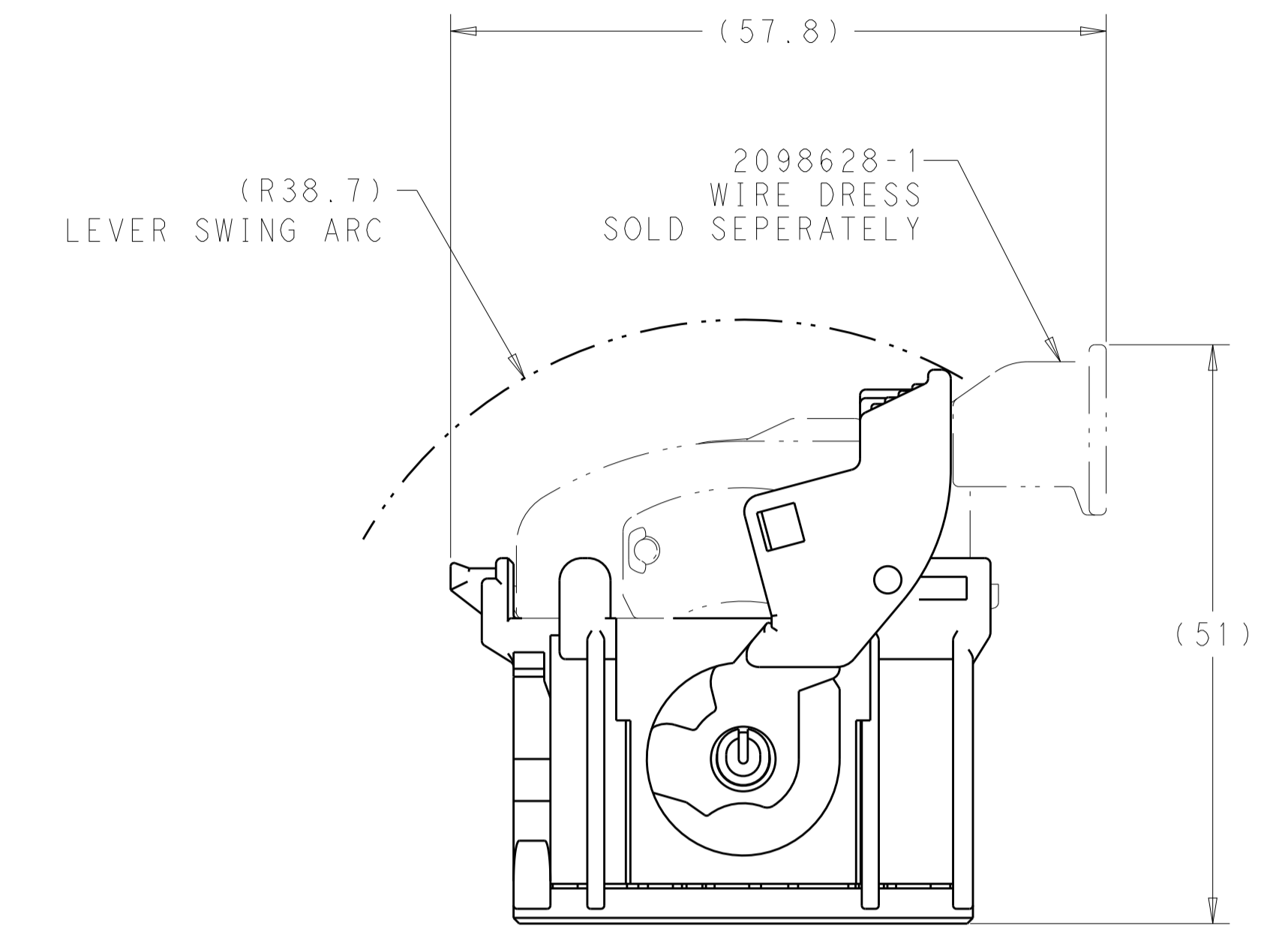
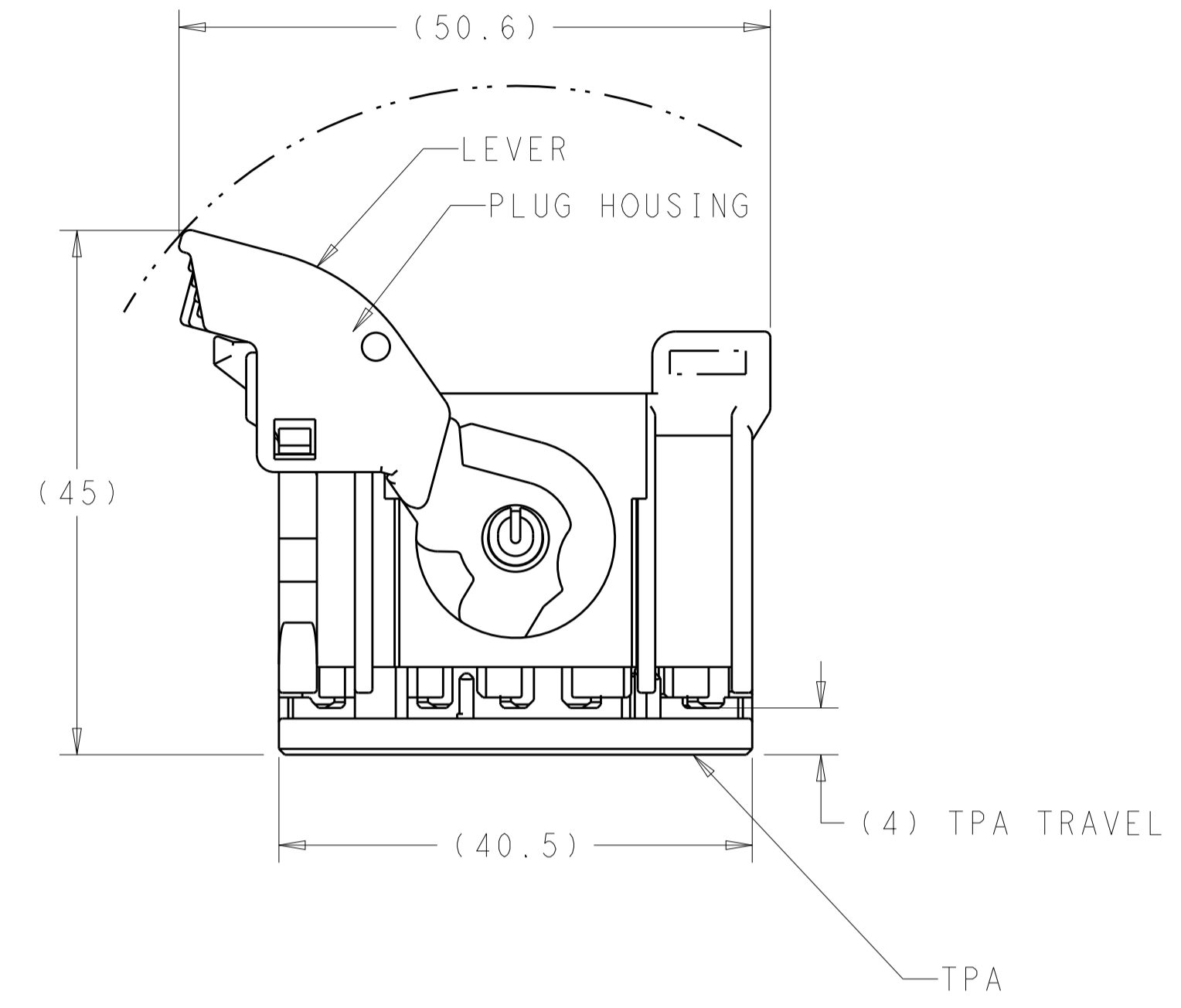


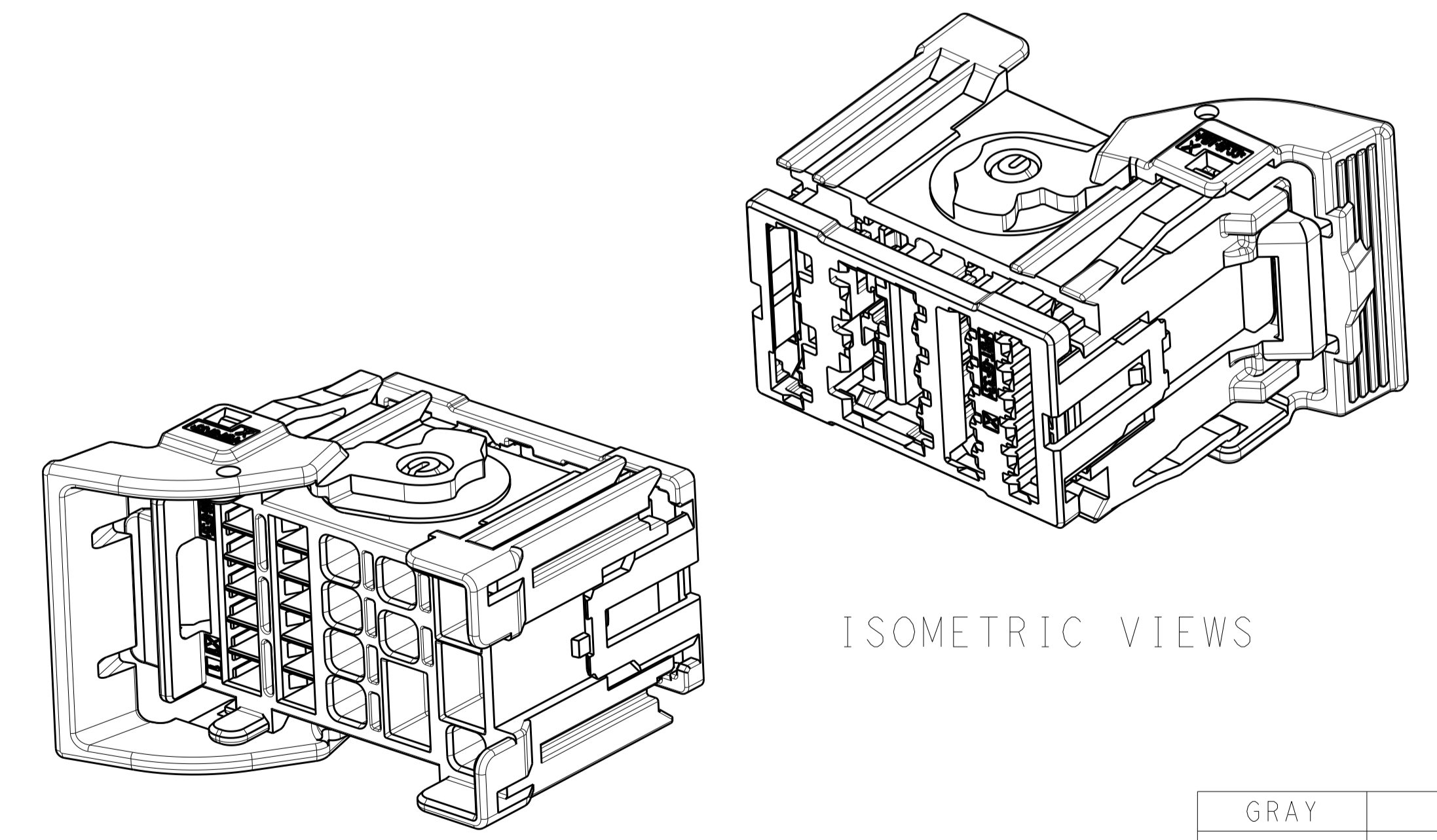
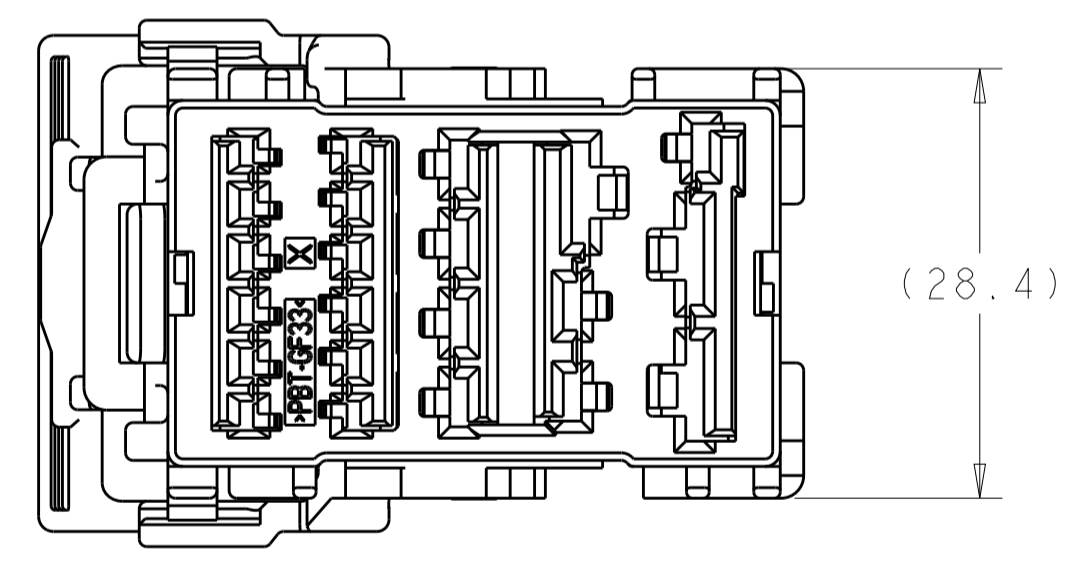
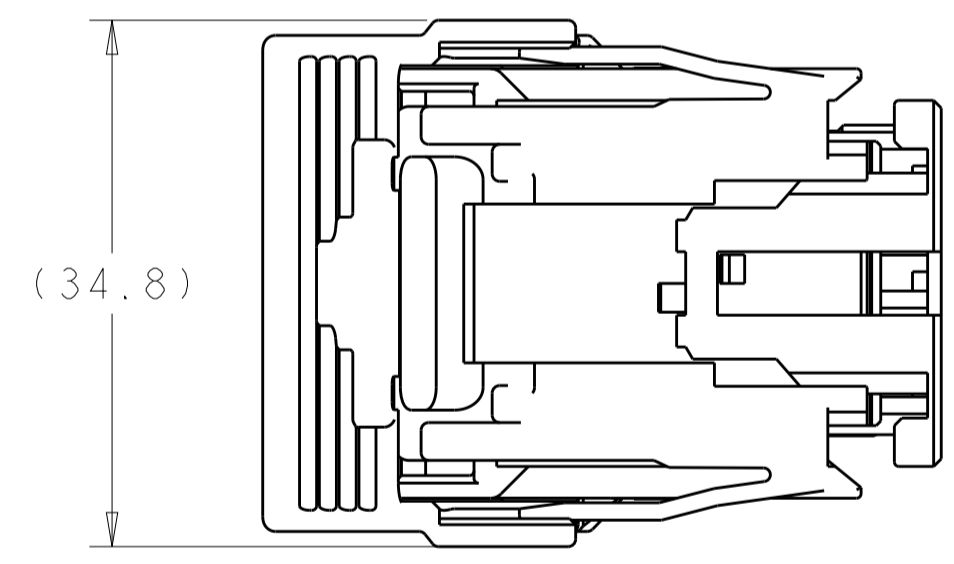
2098627-1
KEYING OPTION "A"



2098627-2
KEYING OPTION "B"



2098627-1
LEVER AND TPA IN ASSEMBLED POSITION,
WITH WIRE DRESS SOLD SEPERATELY



ISOMETRIC VIEWS

NOTES:
1. TE CONNECTIVITY PART NUMBER 2098627-1 SHOWN IN GENERAL VIEWS WITH TPA AND LEVER IN SHIPPING POSITION.
2. MATERIAL:
PLUG HOUSING: NYLON PA66 35% GLASS FILLED, SEE TABLE FOR COLOR
TPA: PBT 33% GLASS FILLED, RED
LEVER: PBT 33% GLASS FILLED, NATURAL (WHITE)

LOC	DIST	REVISIONS					
		P	LTN	DESCRIPTION	DATE	DWN	APVD
IN	00	1		FIRST DRAFT	25JAN2010	MBH	GM
		A		REV PER ECO-11-015187	28JUL2011	SR	GM
		B		REV PER ECO-11-024148	02DEC2011	MBH	RH
		B1		REV PER ECO-12-010413	23OCT2012	MBH	RH

GRAY	B	2098627-2
BLACK	A	2098627-1
HOUSING COLOR	KEYING OPTION	TE PART #

THIS DRAWING IS A CONTROLLED DOCUMENT.		DWN: M. HITCHCOCK 25JAN2010	TE Connectivity	
DIMENSIONS: mm		CHK: G. MARTIN 25JAN2010	NAME: 22P UNSEALED HYBRID PLUG ASSEMBLY (12X 1.5, 7X 2.8, 3X 6.3)	
TOLERANCES UNLESS OTHERWISE SPECIFIED:		APVD: G. MARTIN 25JAN2010	PRODUCT SPEC	
0 PLC ±0.0		APPLICATION SPEC		
1 PLC ±0.3		WEIGHT		
2 PLC ±0.1		SIZE: A100779C=2098627		
3 PLC ±0.0		SCALE: 2:1 SHEET 1 OF 1 REV: B1		
4 PLC ±0.0		CUSTOMER DRAWING		
ANGLES ±3°				
FINISH				