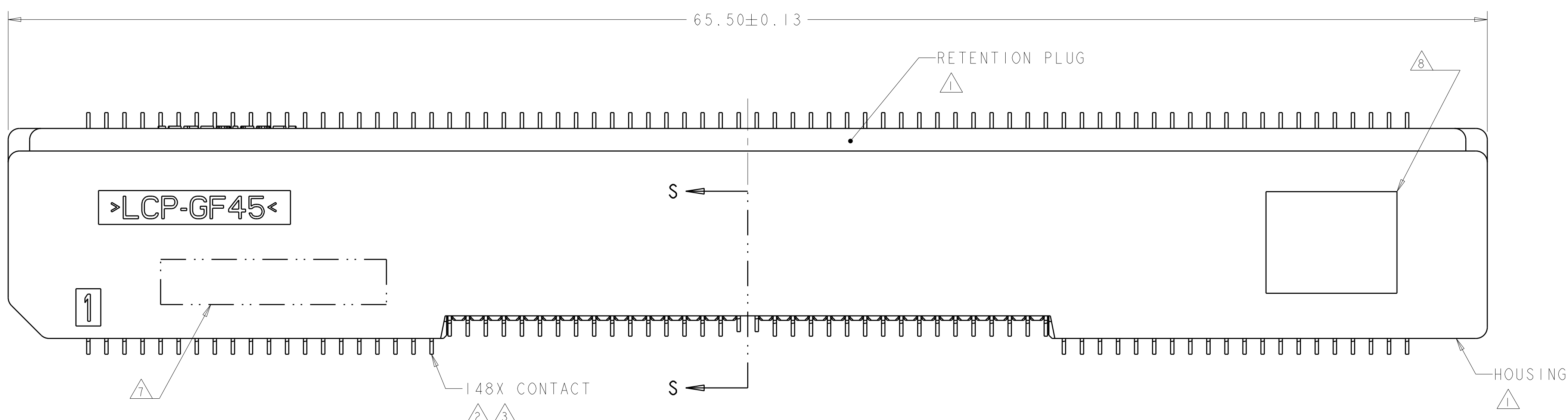
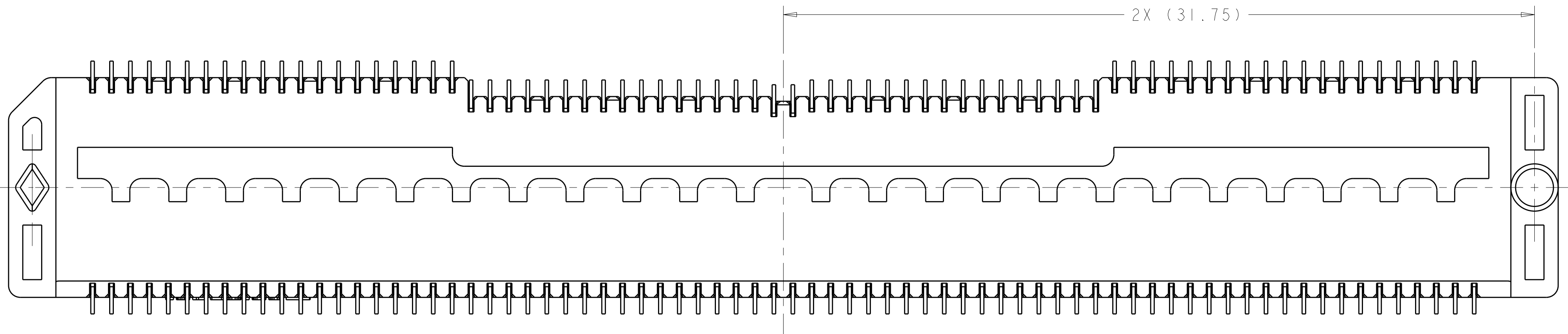
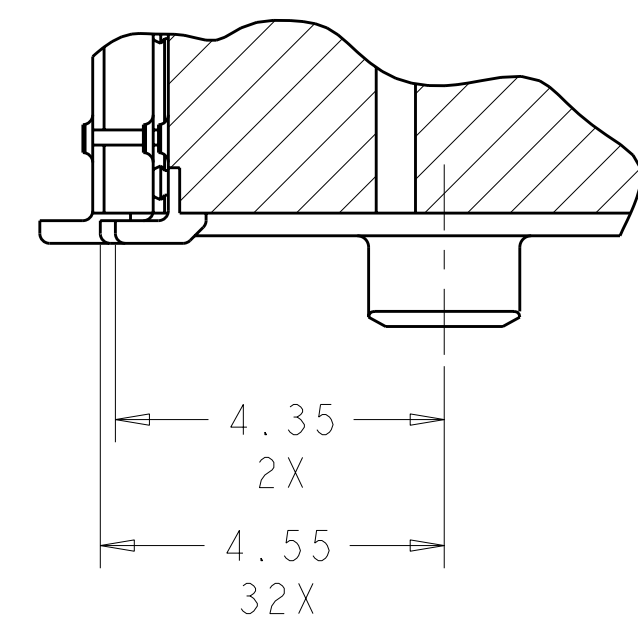
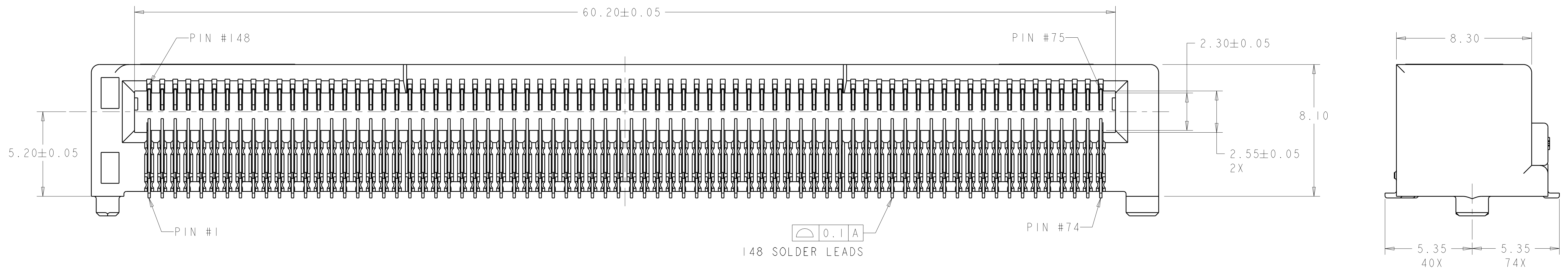


LOC	DIST	REV	DATE	BY	APPD
GP	00	A	11MAY2012	CJV	MRS
REVISIONS					
DESCRIPTION			DATE	BY	APPD
RELEASED PER ECO-12-006362			11MAY2012	CJV	MRS



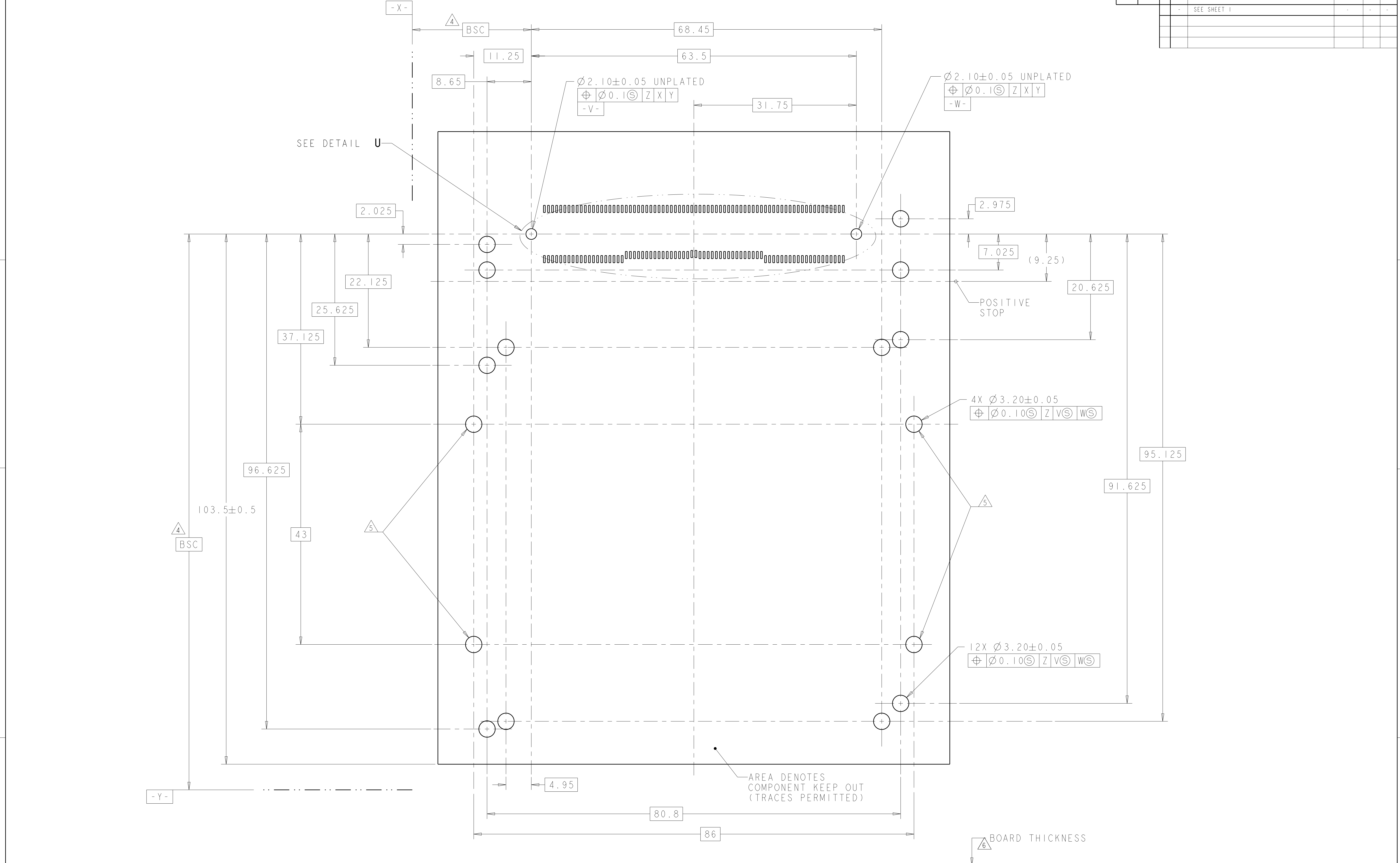
- 1 HOUSING AND RETENTION PLUG MATERIAL: POLYESTER LCP.
- 2 CONTACT MATERIAL: COPPER ALLOY.
- 3 CONTACT FINISH: CONFORMS TO THE REQUIREMENTS OF TE CONNECTIVITY PRODUCT SPECIFICATION 108-2399. BASED ON EIA/ECA-364-1000.01A, (CONTROLLED ENVIRONMENT APPLICATIONS) ON MATING END, GOLD FLASH ON SOLDER TAILS.
- 4 DATUMS AND BASIC DIMENSIONS ARE TO BE ESTABLISHED BY CUSTOMERS FIDUCIALS.
- 5 OPTIONAL HOLES FOR M3x0.5 SCREW/STANDOFFS.
- 6 BELLY TO BELLY PCB THICKNESS:  $3.40 \pm 0.40$ mm.
- 7 PART NUMBER AND DATE CODE MARKED IN APPROXIMATE AREA SHOWN.
- 8 MANUFACTURER'S LOGO APPROXIMATELY AS SHOWN.



2057630-1  
 PART NUMBER

THIS DRAWING IS A CONTROLLED DOCUMENT. DIMENSIONING AND TOLERANCING PER ASME Y14.5M-2009.		DWN P. KERLIN 08NOV2008	TE Connectivity	
DIMENSIONS: mm		CHK E. BRIGHT 08NOV2008	RECEPTACLE ASSEMBLY, HOST, CFP PLUGGABLE	
TOLERANCES UNLESS OTHERWISE SPECIFIED:		APVD	NAME	
0 PLC	±	PRODUCT SPEC	108-2399	
1 PLC	±0.10	APPLICATION SPEC	114-13263	
2 PLC	±	WEIGHT	A100779C=2057630	
3 PLC	±	CUSTOMER DRAWING	SCALE 8:1 SHEET 1 OF 3 REV A	
4 PLC	±			
ANGLES	±			
FINISH	SEE NOTES			

LOC	DIST	REVISIONS			
GP	00	REV	DATE	BY	APPD
		1	SEE SHEET 1		



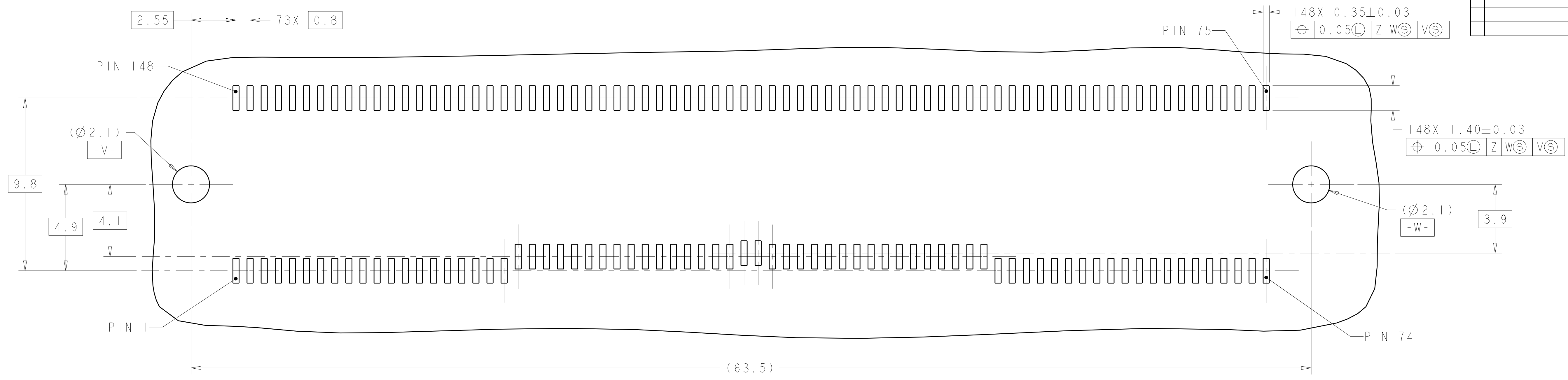
RECOMMENDED PCB LAYOUT FOR SINGLE SIDE MOUNTING  
 SCALE 3:1

THIS DRAWING IS A CONTROLLED DOCUMENT. DIMENSIONING AND TOLERANCING PER ASME Y14.5M-2009		DWG P. KERLIN 08NOV2008	TE Connectivity
DIMENSIONS: mm		CHK E. BRIGHT 08NOV2008	
TOLERANCES UNLESS OTHERWISE SPECIFIED:		APVD	NAME
0 PLC	±	PRODUCT SPEC	RECEPTACLE ASSEMBLY, HOST, CFP PLUGGABLE
1 PLC	±0.10	108-2399	
2 PLC	±	APPLICATION SPEC	
3 PLC	±	114-13263	SIZE CAGE CODE DRAWING NO
4 PLC	±	WEIGHT	A100779C=2057630
ANGLES	±	CUSTOMER DRAWING	RESTRICTED TO
MATERIAL SEE NOTES	FINISH SEE NOTES	SCALE 8:1	SHEET 2 OF 3
		REV A	

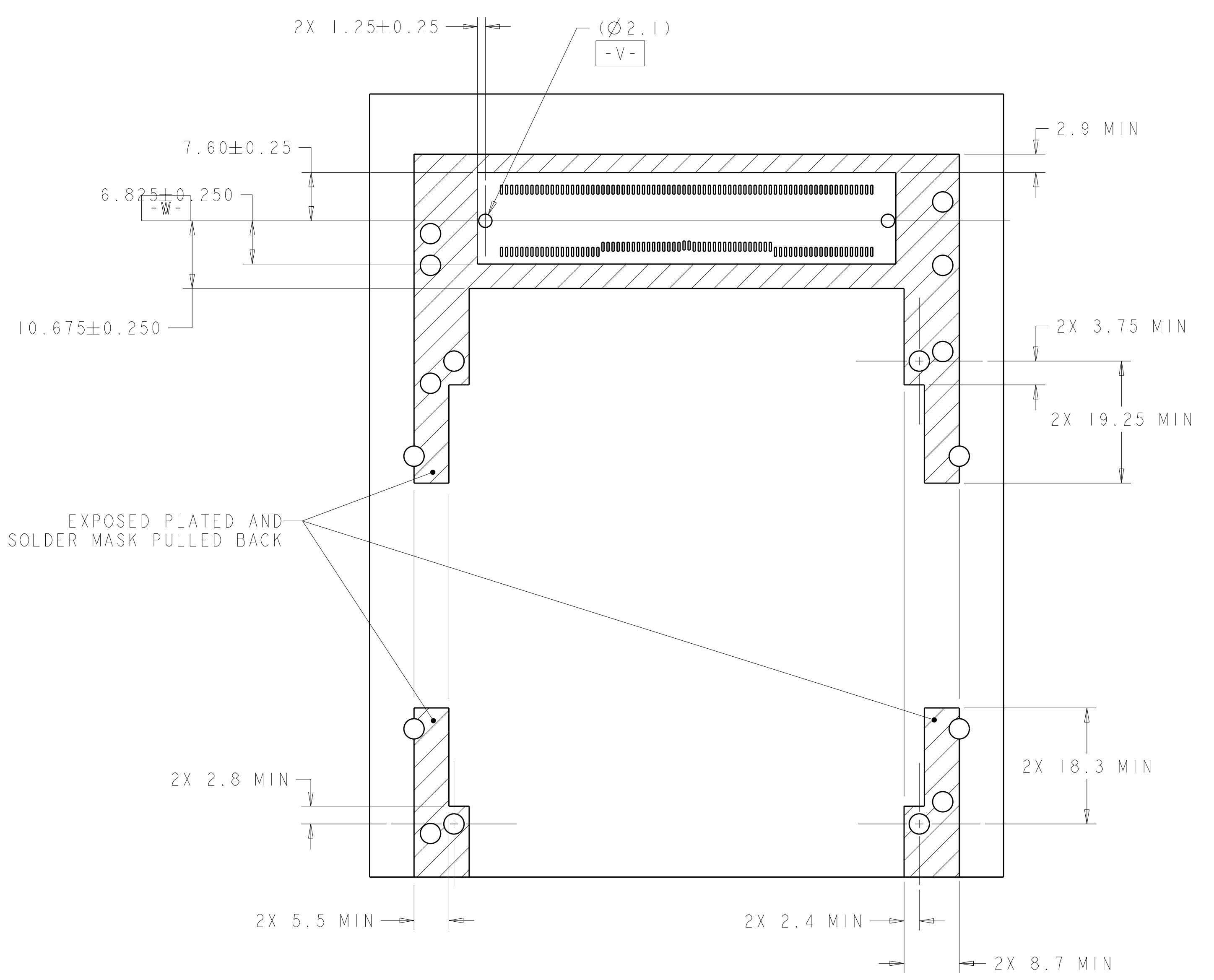
LOC	DIST	REV	DATE	BY	APVD
GP	00				

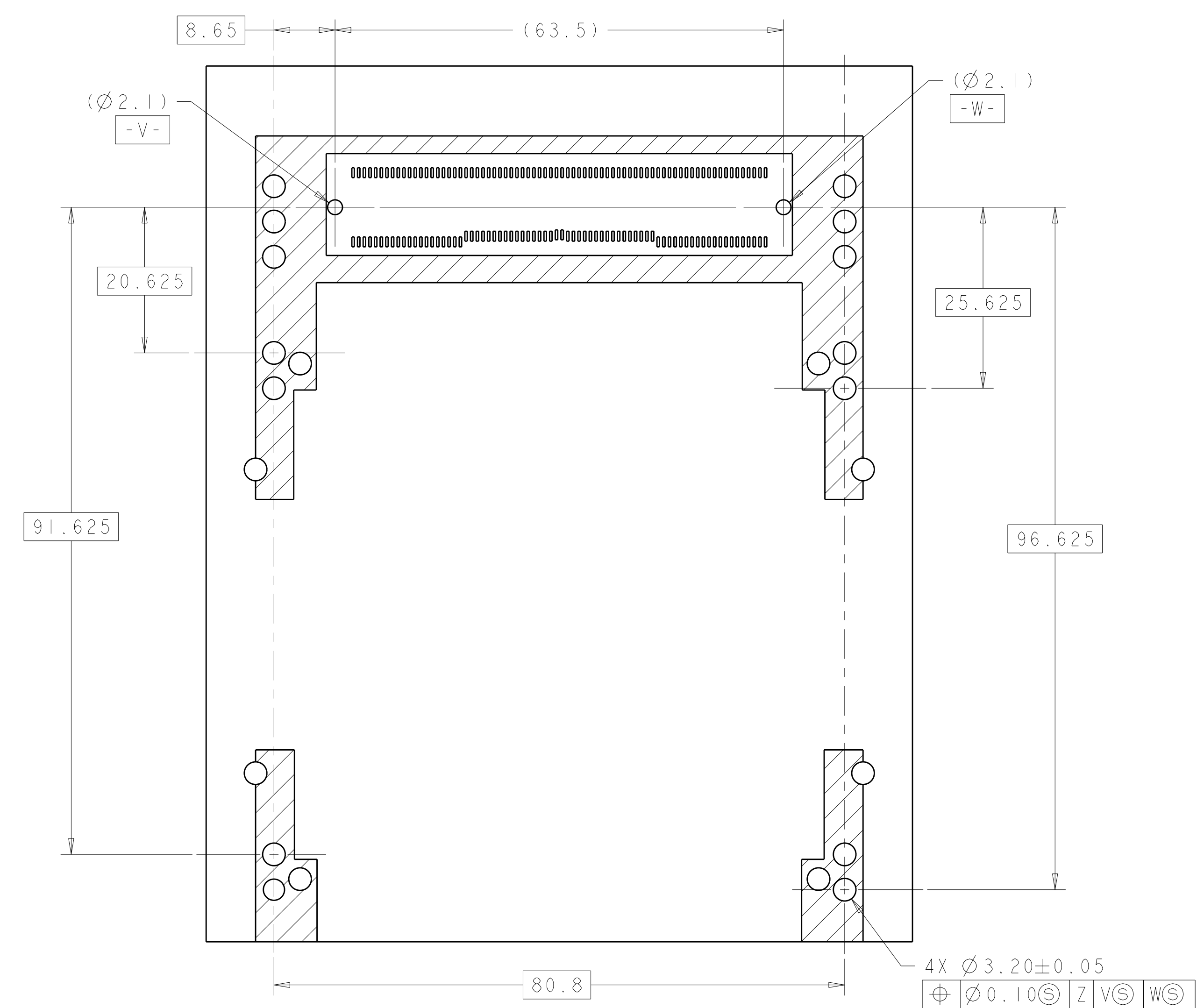
REVISIONS		DATE	BY	APVD
1	SEE SHEET 1			



DETAIL U  
RECOMMENDED HOST CONNECTOR PCB LAYOUT  
SCALE 8:1



RECOMMENDED COMPONENT AND TRACE KEEPOUT AREA  
SCALE 2:1



RECOMMENDED PCB LAYOUT FOR BELLY TO BELLY MOUNT,  
SAME AS SINGLE SIDE MOUNT EXCEPT AS SHOWN  
SCALE 2:1

THIS DRAWING IS A CONTROLLED DOCUMENT. DIMENSIONING AND TOLERANCING PER ASME Y14.5M-2009.		DWN P. KERLIN 08NOV2008 CHK E. BRIGHT 08NOV2008 APVD -	NAME	<b>STE</b> TE Connectivity
DIMENSIONS: mm		PRODUCT SPEC 108-2399 APPLICATION SPEC 114-13263	RECEPTACLE ASSEMBLY, HOST, CFP PLUGGABLE	
TOLERANCES UNLESS OTHERWISE SPECIFIED: 9 PLC ± 3 PLC ±0.10 5 PLC ± 4 PLC ± ANGLES ±		FINISH SEE NOTES	SIZE CAGE CODE DRAWING NO. A100779C=2057630	RESTRICTED TO
MATERIAL SEE NOTES		CUSTOMER DRAWING	SCALE 8:1 SHEET 3 OF 3 REV A	