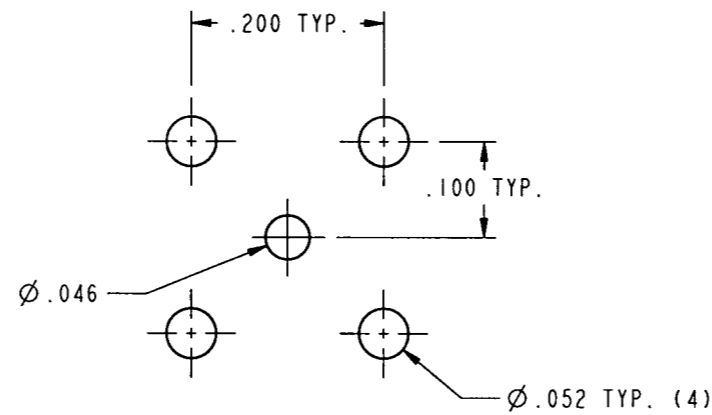
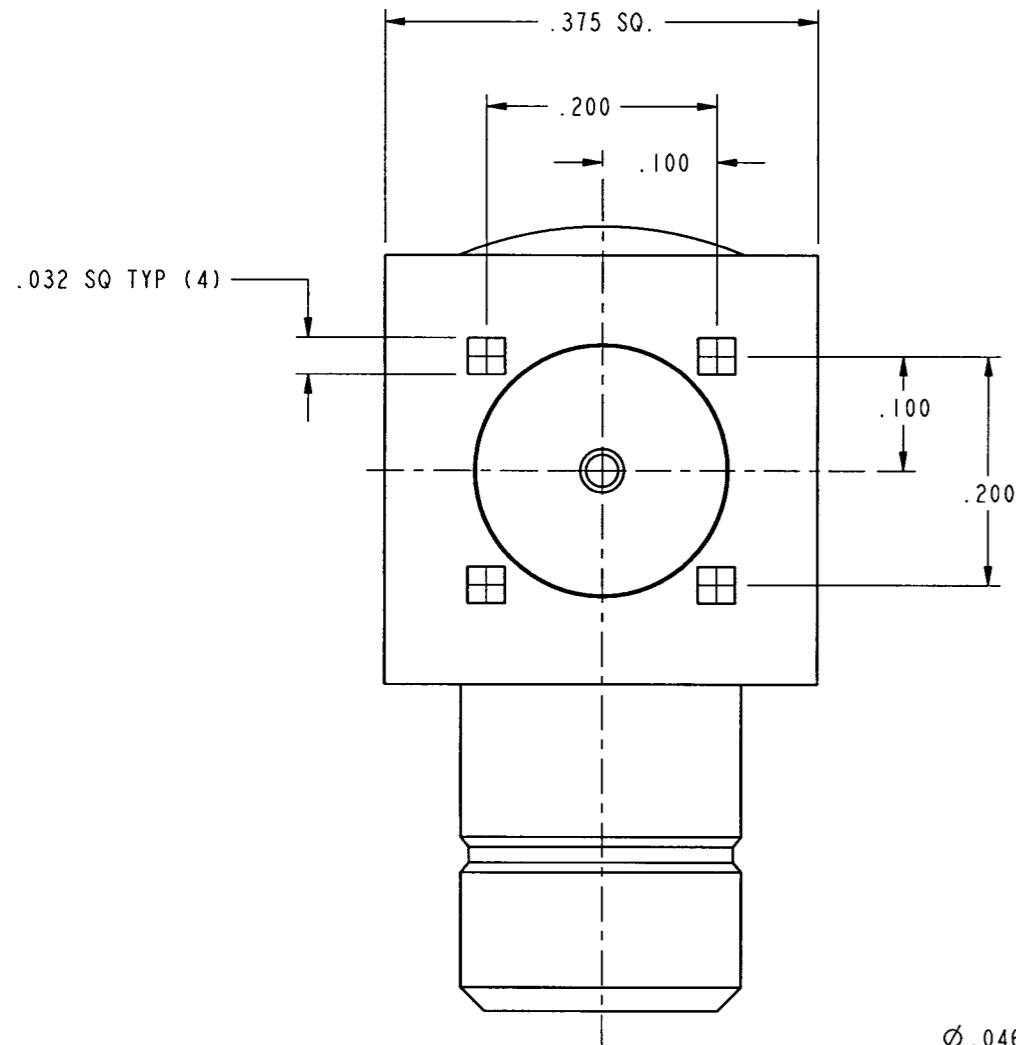


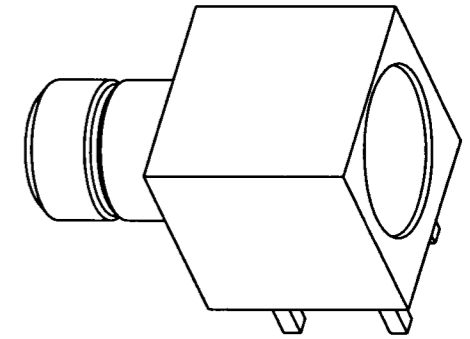
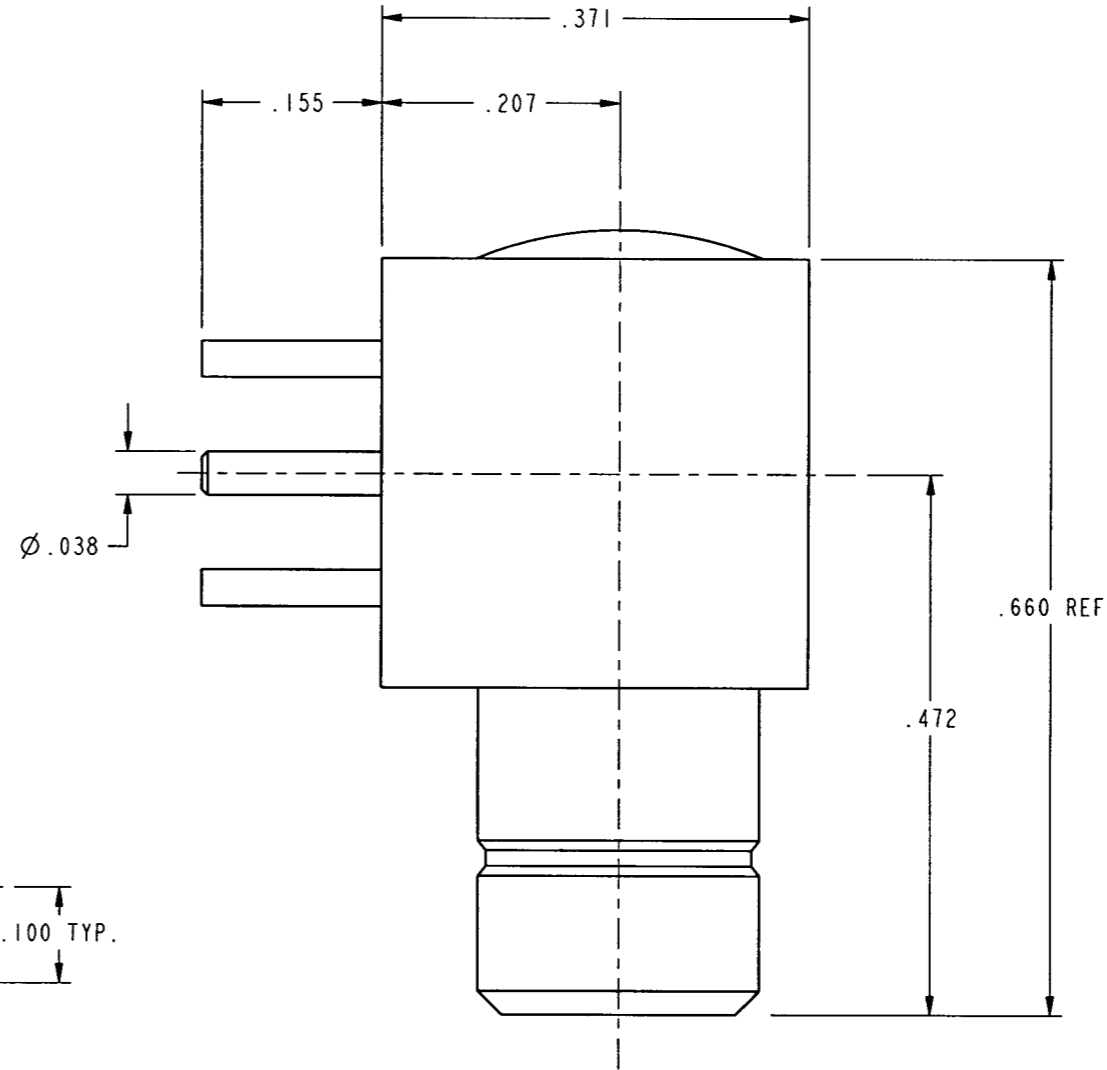
NOTES:

- DO NOT SCALE DRAWING.
- MATERIALS AND FINISHES:
 BODY & CAP = BRASS, NICKEL PLATED.
 CONTACT = BRASS, GOLD PLATED.
 INSULATORS = PTFE FLUOROCARBON

903-585J-71A		REVISIONS			
DRAWING NO.	REV	DESCRIPTION	DATE	ECO	APPR
THIRD ANGLE PROJ.	A	RELEASE TO MFG.	1/13/00	43218	PB/TA
	B	SEE SHEET I	2/8/00	43253	CPM
	C	SEE SHEET I	4/13/00	43295	PB/TA



RECOMMENDED
PCB FOOTPRINT
SCALE 5.000



SCALE 3.000

CUSTOMER OUTLINE DRAWING
FOR REFERENCE ONLY

UNLESS OTHERWISE SPECIFIED, DIMENSIONS ARE IN INCHES AND TOLERANCES ARE: 2 PLACE DECIMAL ±.015 (0,381 mm) 3 PLACE DECIMAL ±.005 (0,127 mm) ANGLES ± 1°	MATERIAL	DRAWN P. BRENZEL	DATE 12/22/99	TITLE 75 OHM SMB ANGLE JACK PC MOUNT	Amphenol Amphenol Corporation Communication and Network Products Division Danbury, CT U.S.A. 06810
	REFERENCE EAR 102-967368-1 615X-1554-100 GEN# ASSYF7_SMB	ENGINEER P. BRENZEL	DATE 12/22/99		
NOTICE - These drawings, specifications, or other data (1) are, and remain the property of Amphenol Corp. (2) must be returned upon request; and (3) are confidential and not to be disclosed to any person other than those to whom they are given by Amphenol Corp. The furnishing of these drawings, specifications, or other data by Amphenol Corp., or to any other person to anyone for any purpose is not to be regarded by implication or otherwise in any manner licensing, granting rights or permitting such holder or any other person to manufacture, use or sell any product, process or design, patented or otherwise, that may in any way be related to or disclosed by said drawings, specifications, or other data.		APPROVED T. AUBIN	DATE 1/12/00		SCALE: 6.0:1 SHEET 2 OF 2
		CAD FILE 1:\SMB\903-585J-71A	CODE ID 74868	DWG SIZE B	DRAWING NO. 903-585J-71A