

THIS DRAWING IS UNPUBLISHED.

RELEASED FOR PUBLICATION

20

LOC -

DIST -

REVISIONS

© COPYRIGHT 20 BY -

ALL RIGHTS RESERVED.

P

LTR

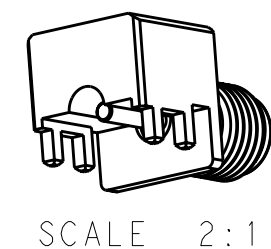
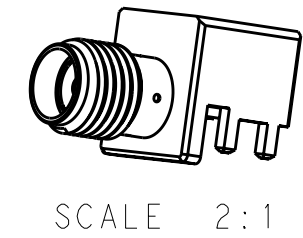
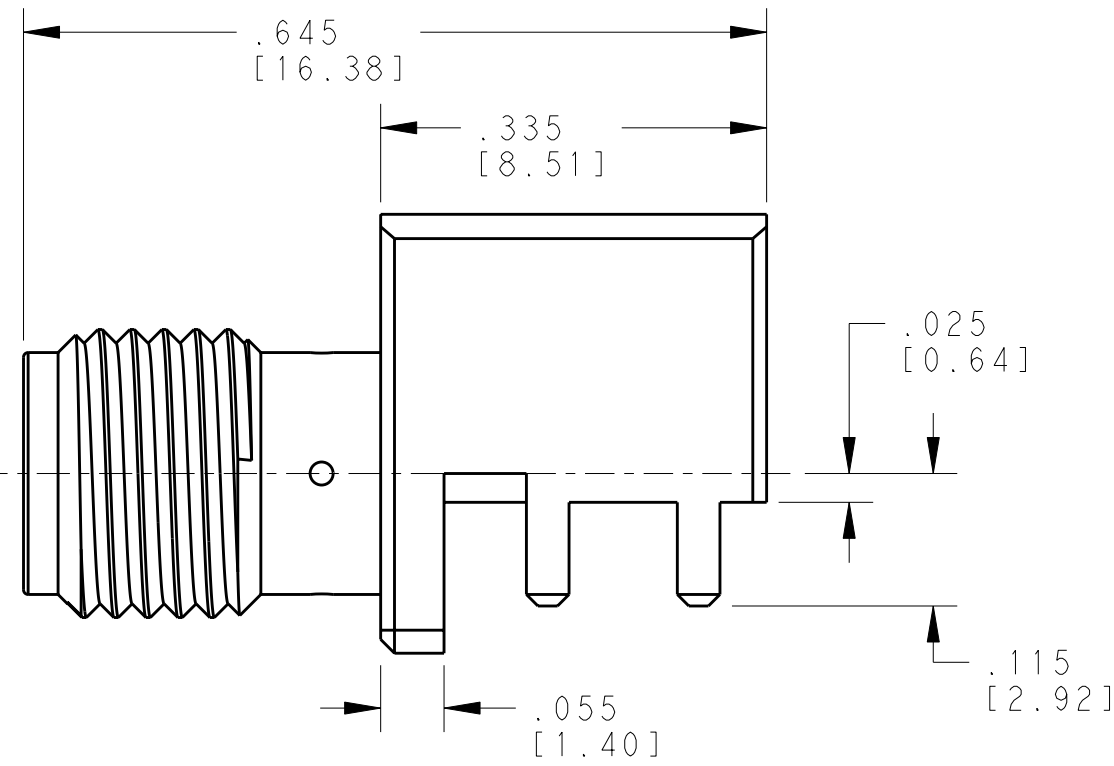
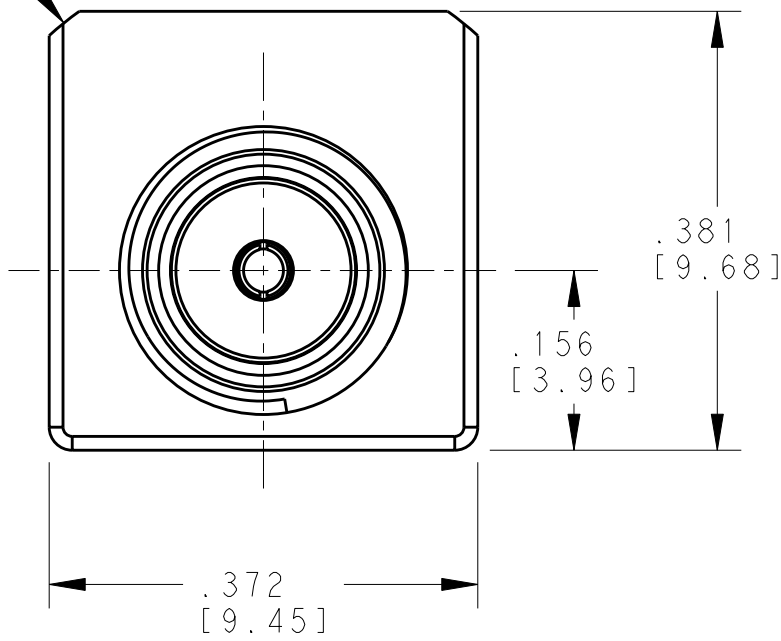
DESCRIPTION

DATE

DWN

APVD

2XR.276
[7.01]



1/4-36UNS-2A
1ST AND LAST
THREAD CHAM 45°

2X.0715±.0050
[1.816±0.127]

2X.037
[0.94]

.071
[1.80]

∅.050
[1.27]

.037±.003
[0.94±0.07]

2X.094
[2.39]


2X.037
[0.94]

NOTES,

- MATERIAL AND FINISH
HOUSING, ZINC ALLOY, BRIGHT TIN PLATE
CONTACT, BREYLLIUM COPPER ,GOLD PLATE
DIELECTRIC,PTFE
- PACKAGE, SEE SHEET 2 FOR DETAIL

2081005-1

PART NO.

THIS DRAWING IS A CONTROLLED DOCUMENT.		DWN ANSON MA 24APR2011	 TE Connectivity	
DIMENSIONS: INCHES[MM]		CHK -		
TOLERANCES UNLESS OTHERWISE SPECIFIED:		APVD MARTIN YF	SMA JACK PCB CONN,EDGE MOUNT	
0 PLC ±- 1 PLC ±.0 2 PLC ±.01 3 PLC ±.005 4 PLC ±.000 ANGLES ±5		PRODUCT SPEC 108-60095	SIZE	RESTRICTED TO
MATERIAL -	FINISH -	APPLICATION SPEC -	CAGE CODE A300779	DRAWING NO C-2081005
CUSTOMER DRAWING		WEIGHT -	SCALE 6:1	SHEET 1 OF 2
				REV A

4

3

2

1

THIS DRAWING IS UNPUBLISHED.

RELEASED FOR PUBLICATION

20

LOC -

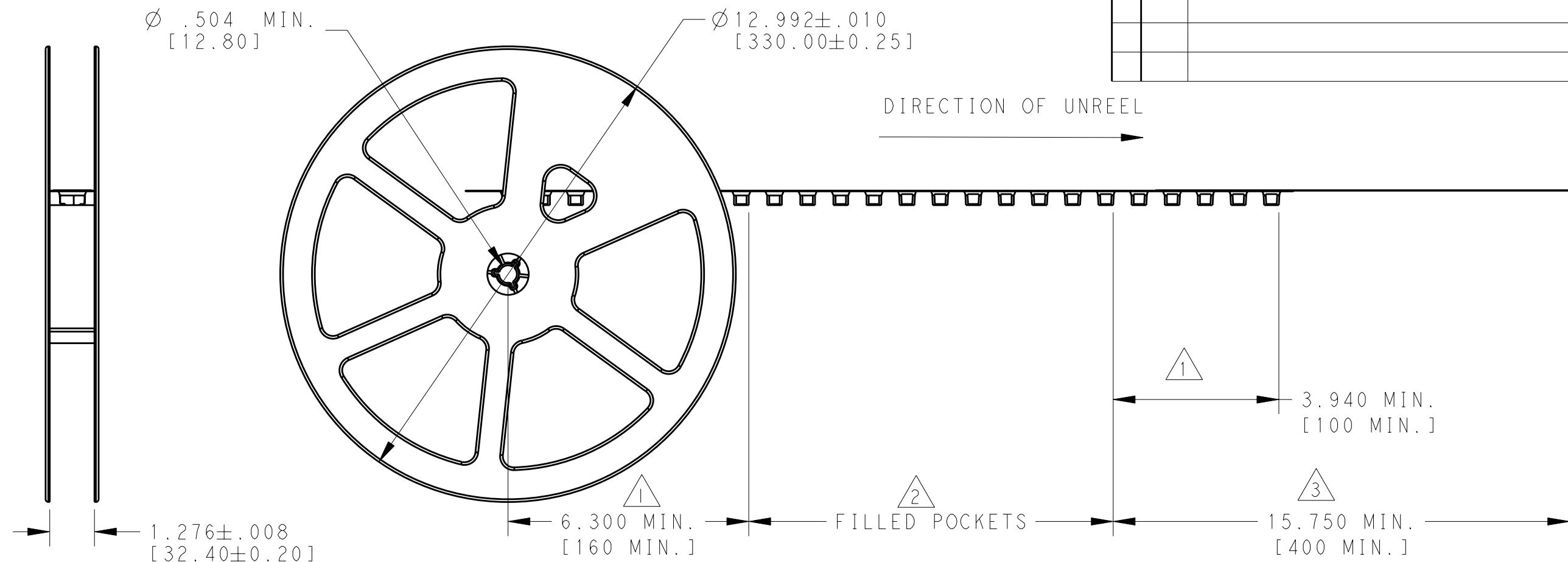
DIST -

REVISIONS

© COPYRIGHT 20 BY -

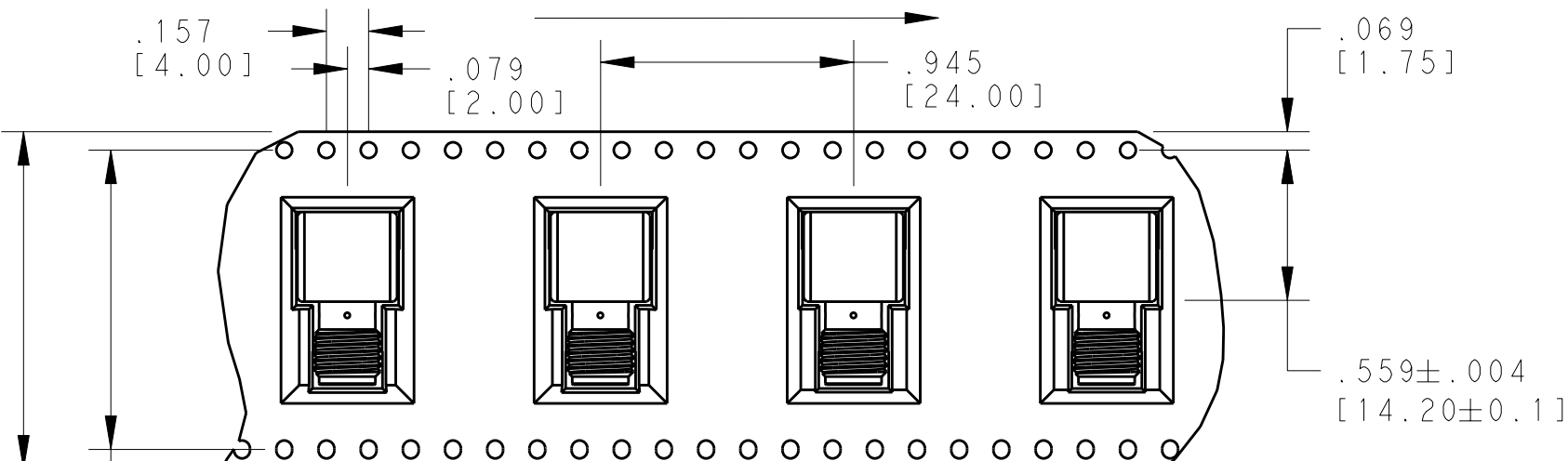
ALL RIGHTS RESERVED.

P	LTR	DESCRIPTION	DATE	DWN	APVD
-	-	SEE SHEET 1	-	-	-



DIRECTION OF UNREEL

DIRECTION OF UNREEL



NOTES;

- 1 LEADER AND TRAILER EMPTY POCKETS BUT SEALED WITH COVER TAPE
- 2 250 FILLED POCKETS PER REEL @24MM PITCH, 1000 PCS PER CASE(4 REELS)
- 3 COVER TAPE

SCALE 3:2

THIS DRAWING IS A CONTROLLED DOCUMENT.		DWN ANSON MA 24APR2011	TE Connectivity	
DIMENSIONS: INCHES[MM]		CHK -		
TOLERANCES UNLESS OTHERWISE SPECIFIED:		APVD MARTIN YF 7JUL2011	NAME SMA JACK PCB CONN, EDGE MOUNT	
0 PLC ±-		PRODUCT SPEC 108-60095	-	
1 PLC ±.0		APPLICATION SPEC -	-	
2 PLC ±.01		WEIGHT -	SIZE A3	CAGE CODE 00779
3 PLC ±.005		CUSTOMER DRAWING	DRAWING NO C-2081005	RESTRICTED TO -
4 PLC ±.0000			SCALE 3:10	SHEET 2 OF 2
ANGLES ±5				REV A
MATERIAL -	FINISH -			