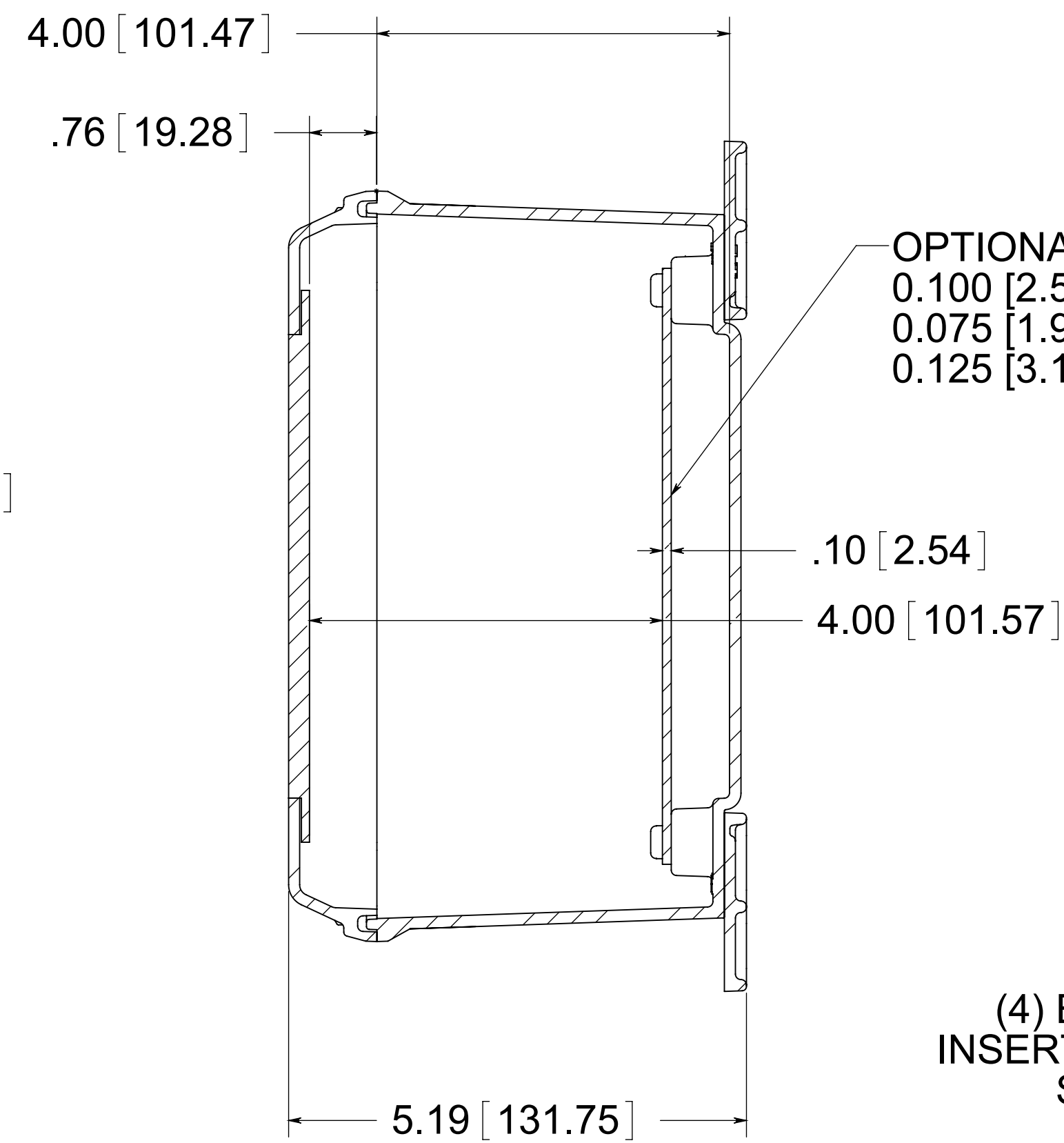
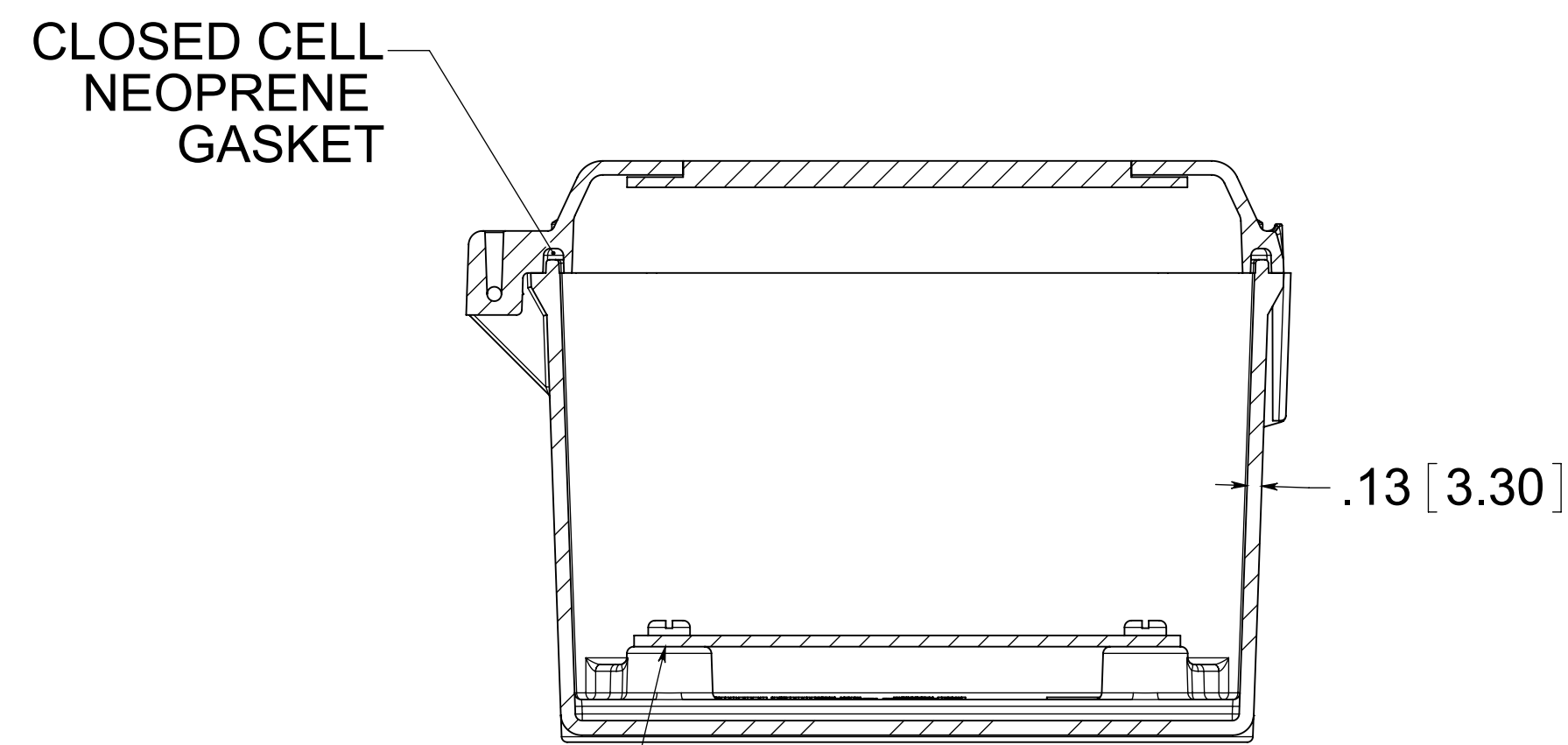


(4) EACH #10-32 BRASS INSERTS AND STAINLESS STEEL CAPTIVE COVER SCREWS



OPTIONAL BACK PANEL
 0.100 [2.54] TH'K- ALUMINUM
 0.075 [1.91] TH'K- WHITE STEEL & GALVANNEALED
 0.125 [3.18] TH'K- FIBERGLASS

(4) EACH #10-32 BRASS INSERTS, AND STAINLESS STEEL FLANGE AND FEET SCREWS

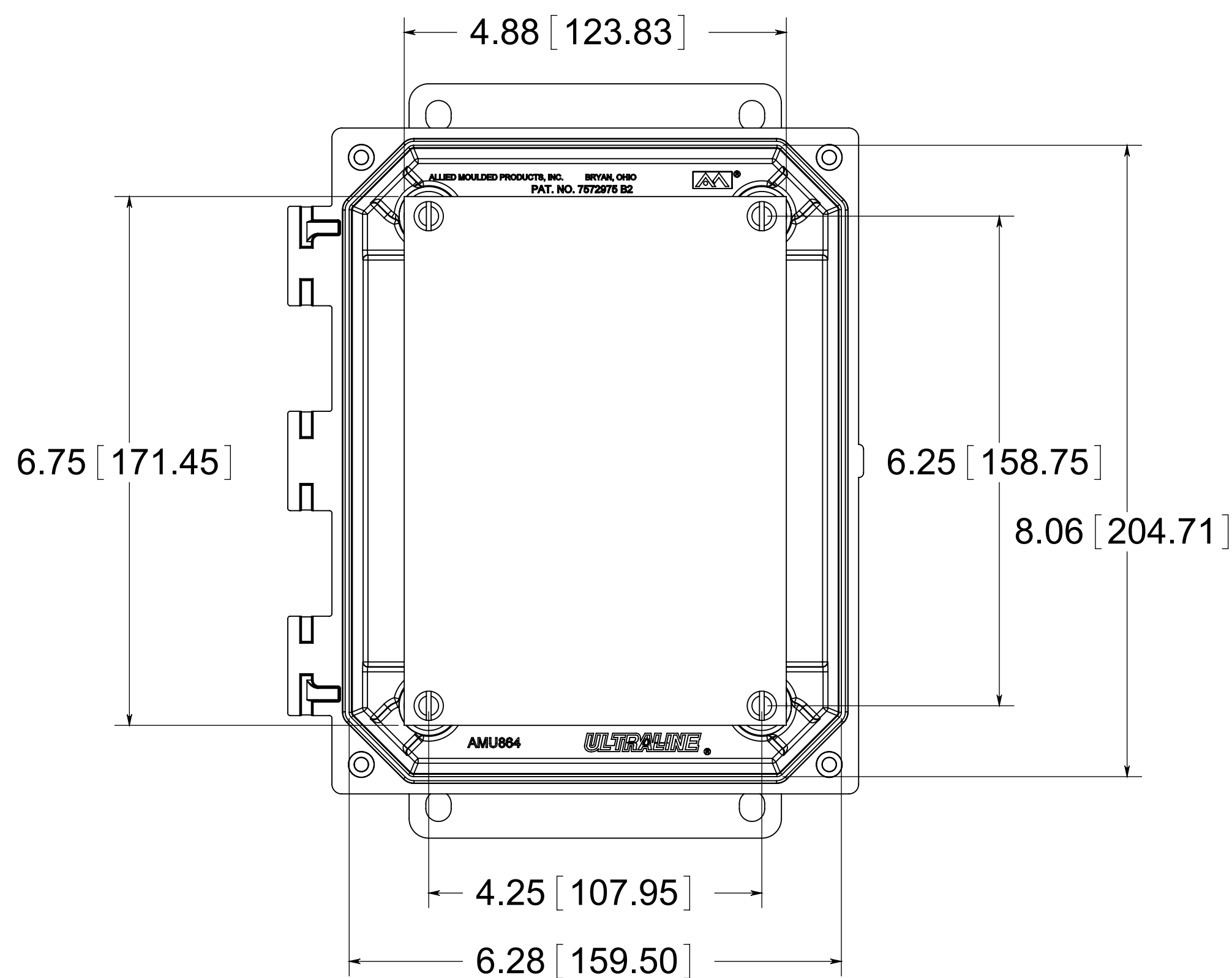


(4) EACH #10-32 BRASS INSERTS AND PLATED CARBON STEEL SCREWS

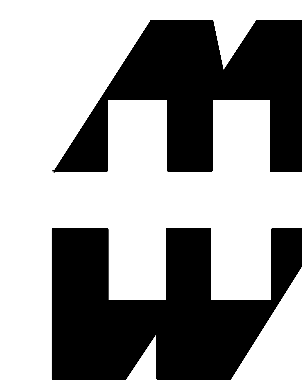
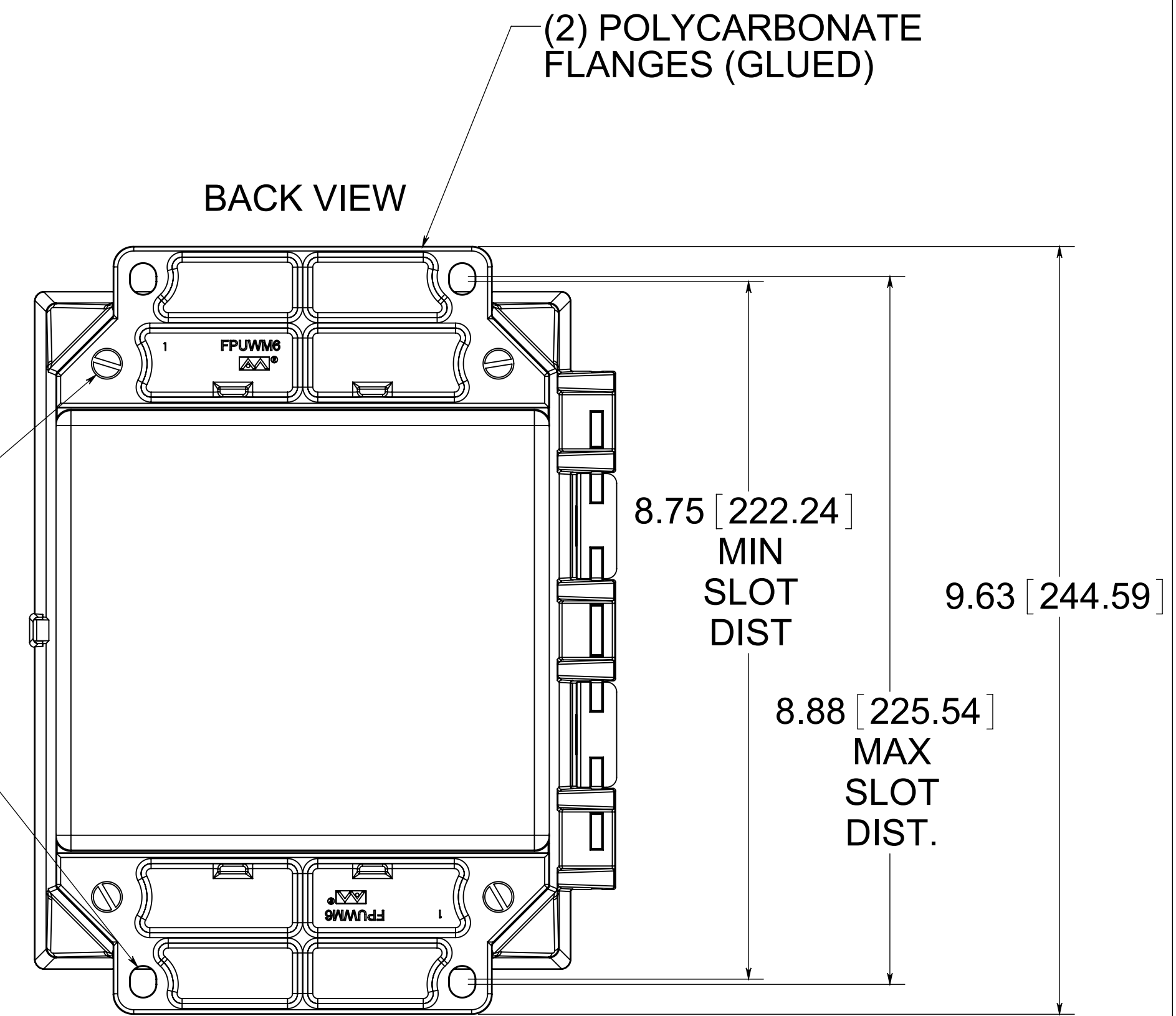
MATERIAL:

BOX- COMPRESSION MOLDED FIBERGLASS REINFORCED POLYESTER
 COVER-COMPRESSION MOLDED FIBERGLASS REINFORCED POLYESTER
 CLEAR COVER AND WINDOWS- POLYCARBONATE

FRONT VIEW WITH COVER REMOVED AND BACK PANEL DISPLAYED



BACK VIEW



PART No. PJU864WF

for more information visit
www.hammfg.com

Data subject to change without notice

Drawing Not to Scale