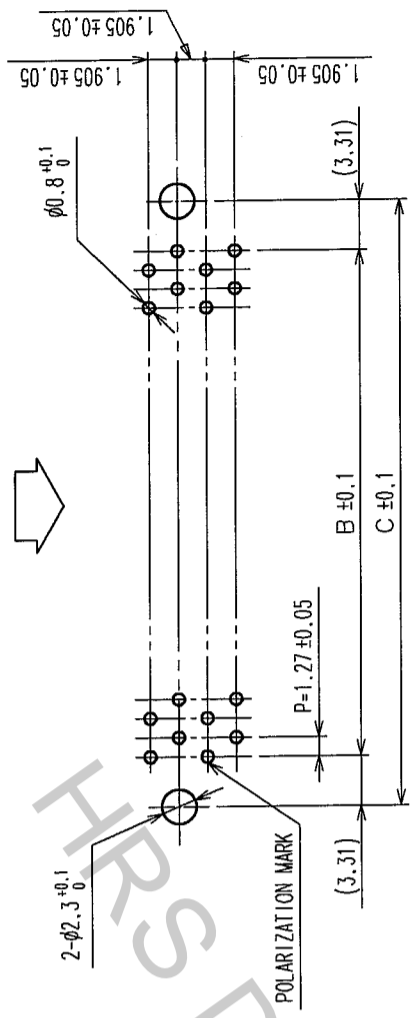
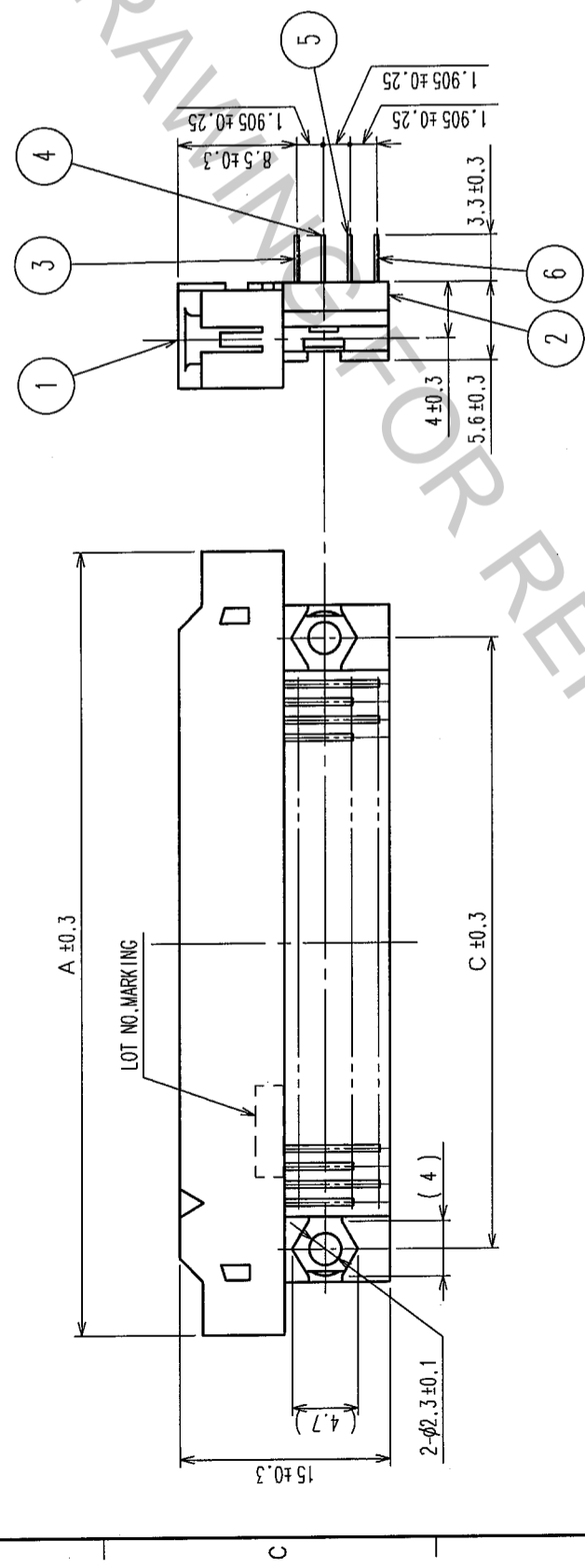
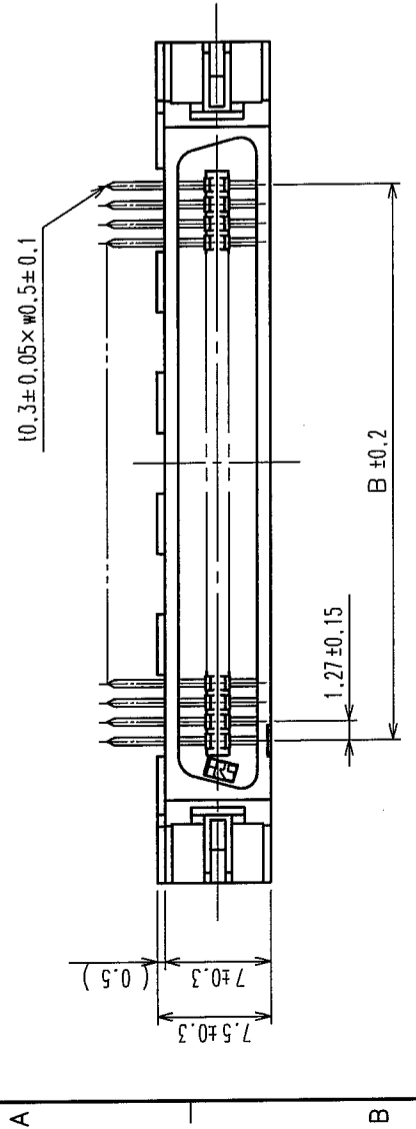


| COUNT | DESCRIPTION OF REVISIONS | BY | CHKD | DATE | COUNT | DESCRIPTION OF REVISIONS | BY | CHKD | DATE |
|-------|--------------------------|----|------|------|-------|--------------------------|----|------|------|
|       |                          |    |      |      |       |                          |    |      |      |
|       |                          |    |      |      |       |                          |    |      |      |
|       |                          |    |      |      |       |                          |    |      |      |

A B C D E F

RECOMMEND PC BOARD HOLE PATTERN ( MOUNTING SIDE )

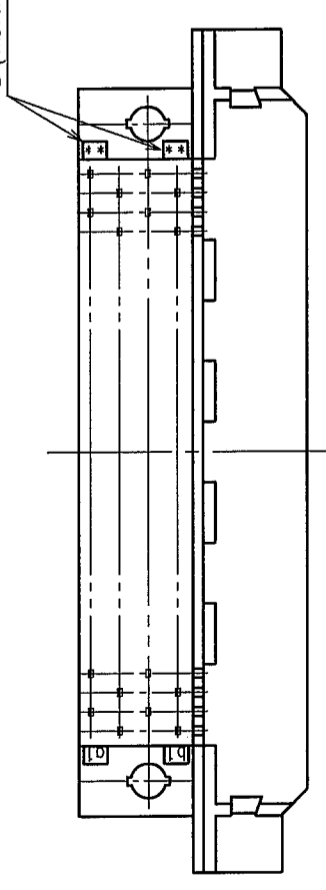
MATING SIDE



| PART No.              | CODE No.        | A   | B     | C     | D     |
|-----------------------|-----------------|-----|-------|-------|-------|
| FX2B-20PA-1.27DS(71)  | CL572-0721-7-71 | 20  | 30.33 | 11.43 | 18.05 |
| FX2B-32PA-1.27DS(71)  | CL572-0722-0-71 | 32  | 37.95 | 19.05 | 25.67 |
| FX2B-40PA-1.27DS(71)  | CL572-0723-2-71 | 40  | 43.03 | 24.13 | 30.75 |
| FX2B-52PA-1.27DS(71)  | CL572-0724-5-71 | 52  | 50.65 | 31.75 | 38.37 |
| FX2B-60PA-1.27DS(71)  | CL572-0725-8-71 | 60  | 55.73 | 36.83 | 43.45 |
| FX2B-68PA-1.27DS(71)  | CL572-0726-0-71 | 68  | 60.81 | 41.91 | 48.53 |
| FX2B-80PA-1.27DS(71)  | CL572-0727-3-71 | 80  | 68.43 | 49.53 | 56.15 |
| FX2B-100PA-1.27DS(71) | CL572-0728-6-71 | 100 | 81.13 | 62.23 | 68.85 |

NOTES  
 1 STANDOFF DIFFERS ACCORDING TO PRODUCTS.  
 2 NUMBER OF PIN.  
 3 THE DIMENSIONS IN PARENTHESES ARE FOR REFERENCE.

D (INDICATIONS)



| NO.                           | MATERIAL  | FINISH | REMARKS | NO.                           | MATERIAL | FINISH | REMARKS |
|-------------------------------|-----------|--------|---------|-------------------------------|----------|--------|---------|
| 1, 2                          | POLYAMIDE | BLACK  | UL94V-0 | 3~6                           | BRASS    |        |         |
| CONTACT AREA: GOLD FLASH      |           |        |         | DIP AREA: TIN-PLATING 2μm min |          |        |         |
| UNDER PLATING: NICKEL 1μm min |           |        |         |                               |          |        |         |

| CODE NO. (OLD) | CL | DESIGNED   | CHECKED  | APPROVED | RELEASED |
|----------------|----|------------|----------|----------|----------|
|                |    | I. OKAYAMA | H. OKAWA | H. OKAWA |          |
|                |    | 04.06.02   | 04.06.14 | 04.06.14 |          |

| DRAWING NO.    | PART NO.            |
|----------------|---------------------|
| EDC3-153963-21 | FX2B-※PA-1.27DS(71) |
| SCALE: FREE    | CODE NO.            |
| UNITS: mm      | CL572               |