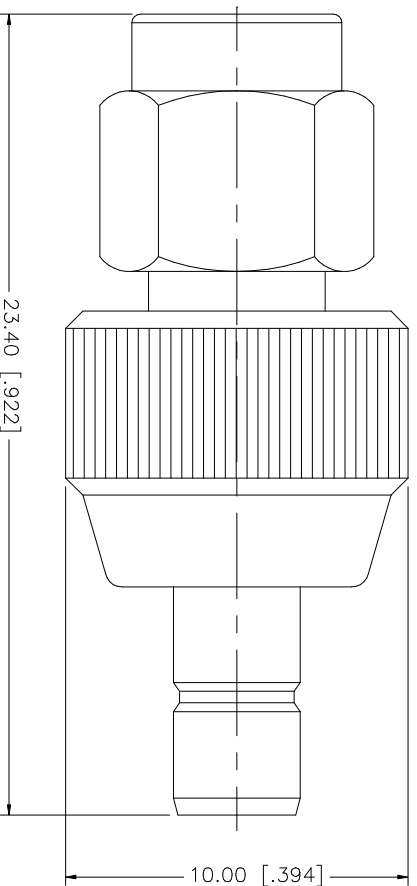


REV.	DATE	DESCRIPTION
A	01/30/04	UPDATE DRAWING FORMAT
B	06/21/05	MODIFY PART DESCRIPTION



QTY	DESCRIPTION	MATERIAL	FINISH	QTY	UNLESS OTHERWISE SPECIFIED DIMENSIONS ARE IN INCHES AND FOR CUSTOMER REFERENCE ONLY.	UNLESS OTHERWISE SPECIFIED DIMENSIONS ARE IN MILLIMETERS	APPROVALS	DATE	PART DESCRIPTION	DWG. NO.	REV.	SIZE	SCALE
1	CONTACT PIN	BRASS	GOLD	1	UNLESS OTHERWISE SPECIFIED DIMENSIONS ARE IN INCHES AND FOR CUSTOMER REFERENCE ONLY.	UNLESS OTHERWISE SPECIFIED DIMENSIONS ARE IN MILLIMETERS	DRAWN	G.R.S.	06/21/05	242144.DWG	B	A	NA
1	INSULATOR BODY	TEFLON BRASS	NATURAL GOLD	1	UNLESS OTHERWISE SPECIFIED DIMENSIONS ARE IN INCHES AND FOR CUSTOMER REFERENCE ONLY.	UNLESS OTHERWISE SPECIFIED DIMENSIONS ARE IN MILLIMETERS	CHECKED						
1	DESCRIPTION	MATERIAL	FINISH	QTY	DO NOT SCALE DRAWING		ISSUED						
					UNLESS OTHERWISE SPECIFIED DIMENSIONS ARE IN INCHES AND FOR CUSTOMER REFERENCE ONLY.		APPROVALS		Amphenol Connex				
					UNLESS OTHERWISE SPECIFIED DIMENSIONS ARE IN MILLIMETERS		DATE		SMA PLUG TO SMB JACK ADAPTER				
					TOLERANCES FOR MILLIMETERS ARE:		06/21/05		242144				
					0.5 - 8mm ± 0.20mm								
					8 - 30mm ± 0.40mm								
					30 - 120mm ± 0.50mm								
					UNLESS OTHERWISE SPECIFIED DIMENSIONS ARE IN INCHES AND FOR CUSTOMER REFERENCE ONLY.		SHEET 1 OF 1						
					.020 - .315 = ± 0.007"		CAD FILE						
					.315 - 1.180 = ± 0.015"		C:/242/242144.DWG						
					1.180 - 4.724 = ± 0.020"								