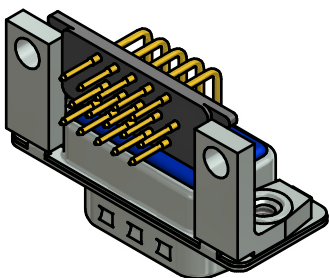
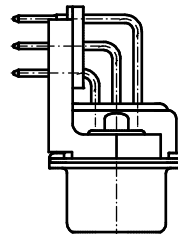
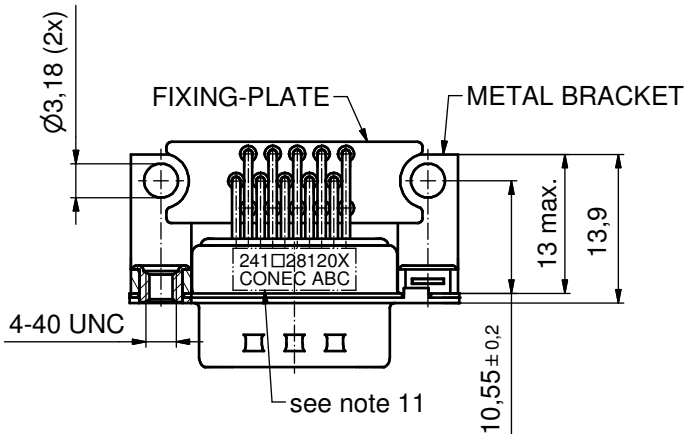
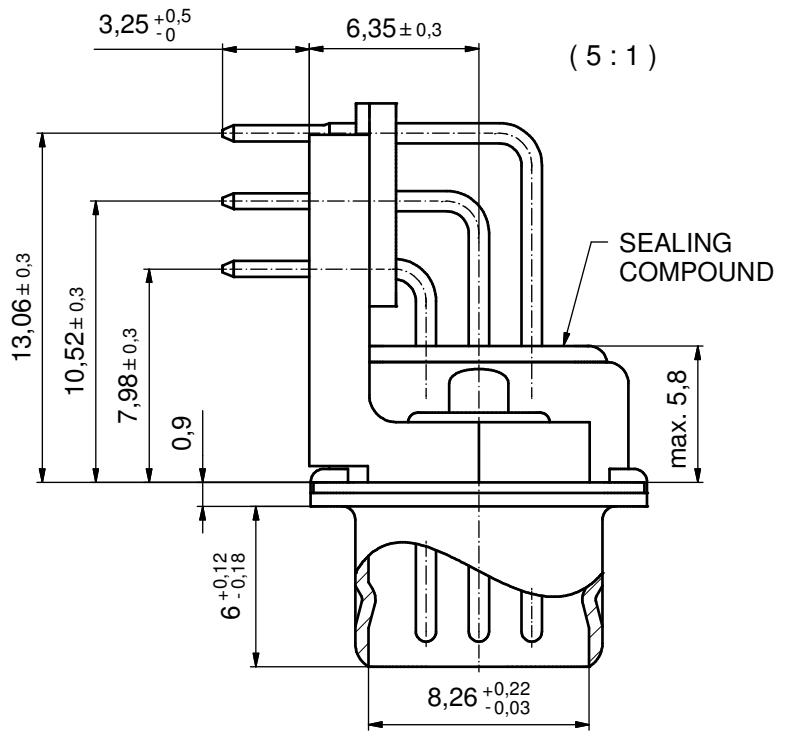
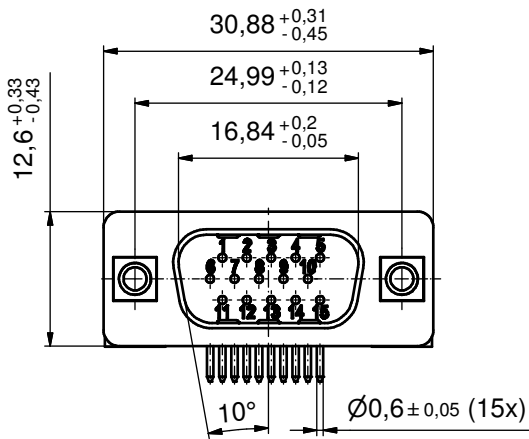


**NOTES:**

- FOR WAVESOLDERING (SOLDER BATH TEMPERATURE 260°C FOR 5 SEC. AND SOLDER PREHEAT 100°C FOR 30 SEC.)
- METALSHELLS: STEEL; min. 315µin TIN over 40-80µin NICKEL
- INSULATOR: HIGH TEMPERATURE PLASTIC UL 94 V-0; BLACK
- CONTACTS: COPPER ALLOY; PLATING (SEE PART NO.):  
 PLEASE ADD A for GOLD FLASH over NICKEL (PREFERRED TYPE)  
 PLEASE ADD B for 20µin HARD GOLD over 80µin NICKEL  
 PLEASE ADD C for 30µin HARD GOLD over 80µin NICKEL  
 CONTACT TAILS PRETINNED
- METAL BRACKETS:  
 ZINC DIE CAST; 300µin COPPER/40-120µin NICKEL/120-200µin TIN
- THREADED INSERTS: COPPER ALLOY; min. 200µin TIN over 80µin NICKEL
- FIXING-PLATE: HIGH TEMPERATURE PLASTIC UL 94 V-0; BLACK
- DIELECTRIC WITHSTANDING VOLTAGE: 300 VDC
- CAPACITANCE: 180pF ± 20%
- MAXIMUM TORQUE VALUE FOR THREAD: 6 in. LB
- CONNECTOR IS PART MARKED: 241□28120X CONEC ABC (see note 4)



RoHS compliant

THIS DRAWING MAY NOT BE COPIED OR REPRODUCED IN ANY WAY, AND MAY NOT BE PASSED ON TO A THIRD PARTY WITHOUT WRITTEN PERMISSION. OWNERSHIP AND COPYRIGHT OF CONEC GmbH DO NOT ALTER CAD DRAWING BY HAND				tolerance		scale: 2:1 (5:1)	
				dim. in mm		material: see notes	
				date	name	title: <b>D-SUB HD C-FILTER MALE 90°</b> 15pos. 0.350inch with threaded insert, metal bracket, fixing-plate dwg no: <b>24K1A1631</b> part no: <b>241□28120X</b> (see note 4)	
				drawn	23.09.15 Schmidt		
				appd.	23.09.15 Lehmenkühler		
				norm			
				d-old		DIN-A3	
a Original				<b>CONEC</b>		sh: 1	
rev.	description	date	name			part no: <b>241□28120X</b> (see note 4)	