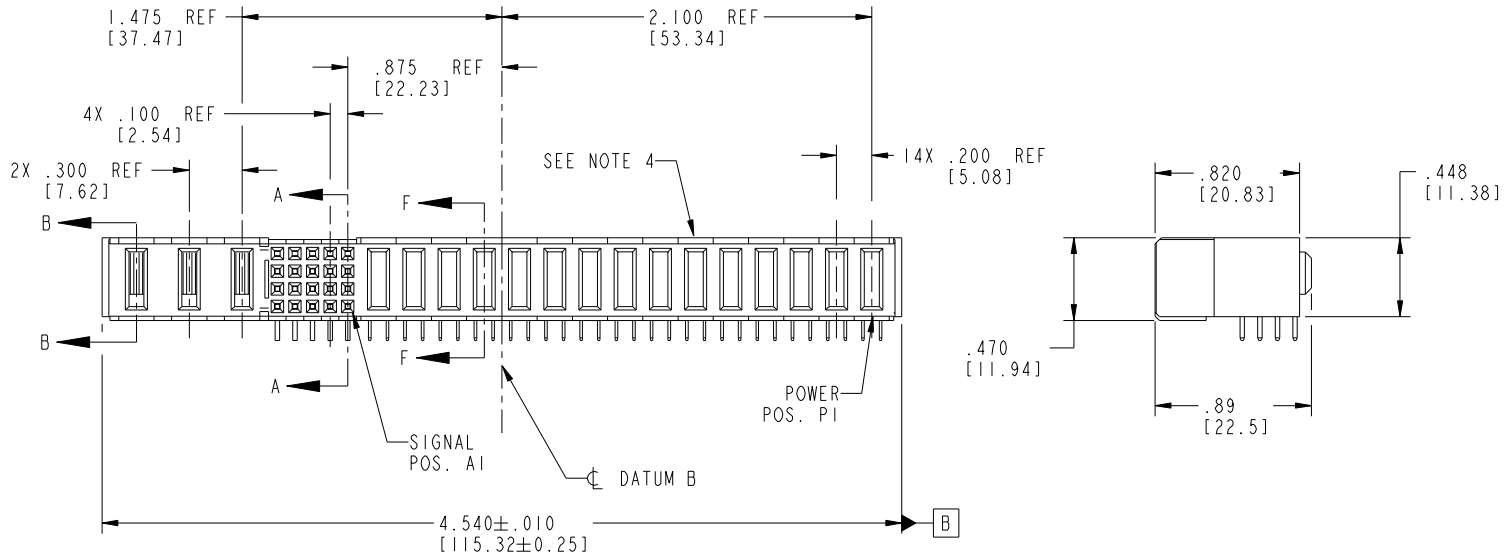
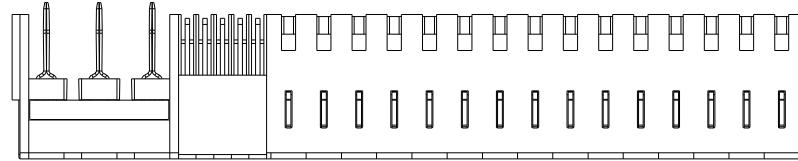


Tous droits strictement réservés. Reproduction ou communication a des tiers interdite sous quelque forme que ce soit sans autorisation écrite du propriétaire. Propriété de c FCI. Droits de reproduction FCI.



All rights strictly reserved. Reproduction or issue to third parties in any form whatever is not permitted without written authority from the proprietor. Property of FCI. Copyright FCI.

PRODUCT NO.	ROWS	POWER			SIGNAL				POWER															
		P18	P17	P16	5	4	3	2	1	P15	P14	P13	P12	P11	P10	P9	P8	P7	P6	P5	P4	P3	P2	P1
51921-001	D C B A	PH	PH	PG	H	H	H	H	H	PC	PC	PA	PA	PC	PC	PA	PA	PC	PC	PC	PA	PA	PC	PC



CODE	DIM "M" MATING LENGTH	CONTACT TYPE
E	N/A [N/A]	SIGNAL
F	N/A [N/A]	SIGNAL
G	N/A [N/A]	SIGNAL
H	N/A [N/A]	SIGNAL
PC	.092 [2.34]	POWER
PG	.042 [1.07]	POWER
PH	.092 [2.34]	POWER
PA	.042 [1.07]	POWER

mat'l code SEE NOTE 2				tolerances unless otherwise specified		CUSTOMER		 www.fciconnect.com	
ltr	ecn no.	dr	date	linear	.XX±.01/0.X±0.3	COPY		title	
A	V03-0637	MEM	6/4/03		.XXX±.005/0.XX±0.13	projection		15P + 20S + 3ACP	
B	V03-0694	TAB	7/8/03		.XXX±.0020/0.XXX±0.051			R/A SLDR. RCPT. CABLE PORT	
C	DG08-0273	WD	12/10/08	angles	0°±2°			product family PwrBlade code	
				dr	STEVEN WANG 12/21/04	INCH/MM		size	
				enr	LH 12/21/04	scale		dwg no	
				chr	VICTOR LIN 12/21/04	1:1		A 51921-001	
				appd	JOSEPH HSIA 12/21/04			sheet	
sheet index	revision sheet	C	C	C	C			1 of 4	
		1	2	3	4				

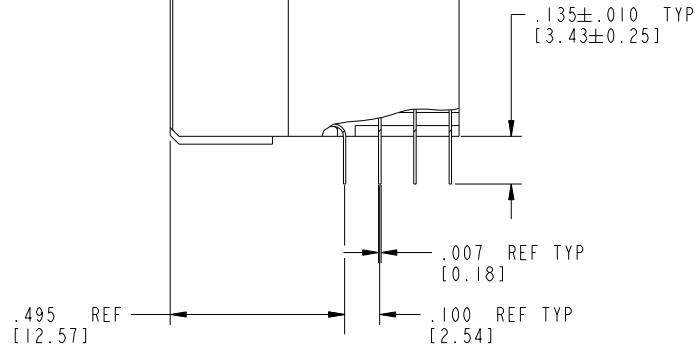
cage code 22526

Pro/E

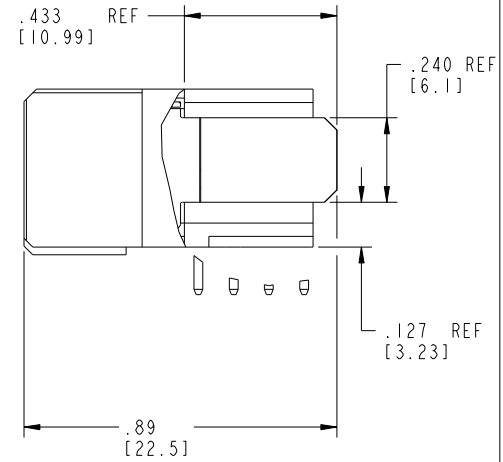
Tous droits strictement reserves. Reproduction ou communication a des tiers interdite sous quelque forme que ce soit sans autorisation écrite du propriétaire. Propriete de c FCI. Droits de reproduction FCI.

All rights strictly reserved. Reproduction or issue to third parties in any form whatever is not permitted without written authority from the proprietor. Property of FCI. Copyright FCI.

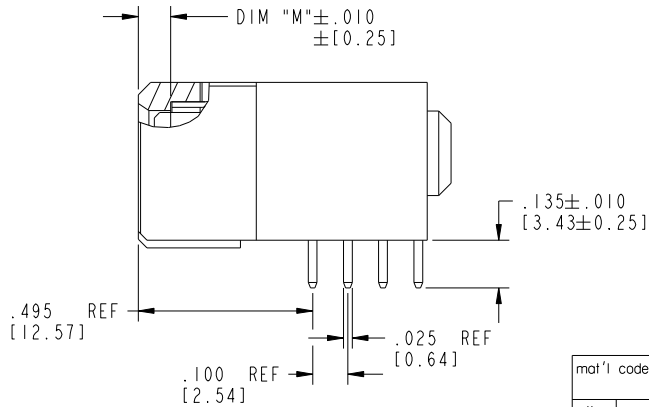
PRODUCT NUMBER
51921-001



BROKEN-OUT SECTION A-A
SCALE 2:1



SECTION B-B
SCALE 2:1



SECTION F-F
SCALE 2:1

mat'l code		SEE NOTE 2		tolerances unless otherwise specified		CUSTOMER		FCI		www.fciconnect.com	
ltr	ecn no.	dr	date	linear	.XX±.01/0.X±0.3	COPY		projection		title	
C					.XXX±.005/0.XX±0.13	INCH/MM		R/A		15P + 20S + 3ACP	
				angles	.XXX±.0020/0.XXX±0.051	1:1		product family		PwrBlade	
				dr	0°±2°	A		size		code	
				enr	STEVEN WANG 12/21/04	A		dwg no		213	
				chr	LH 12/21/04	A		51921-001		sheet	
				appd	VICTOR LIN 12/21/04	A		2 of 4			
					JOSEPH HSIA 12/21/04	A					
sheet index	revision sheet										

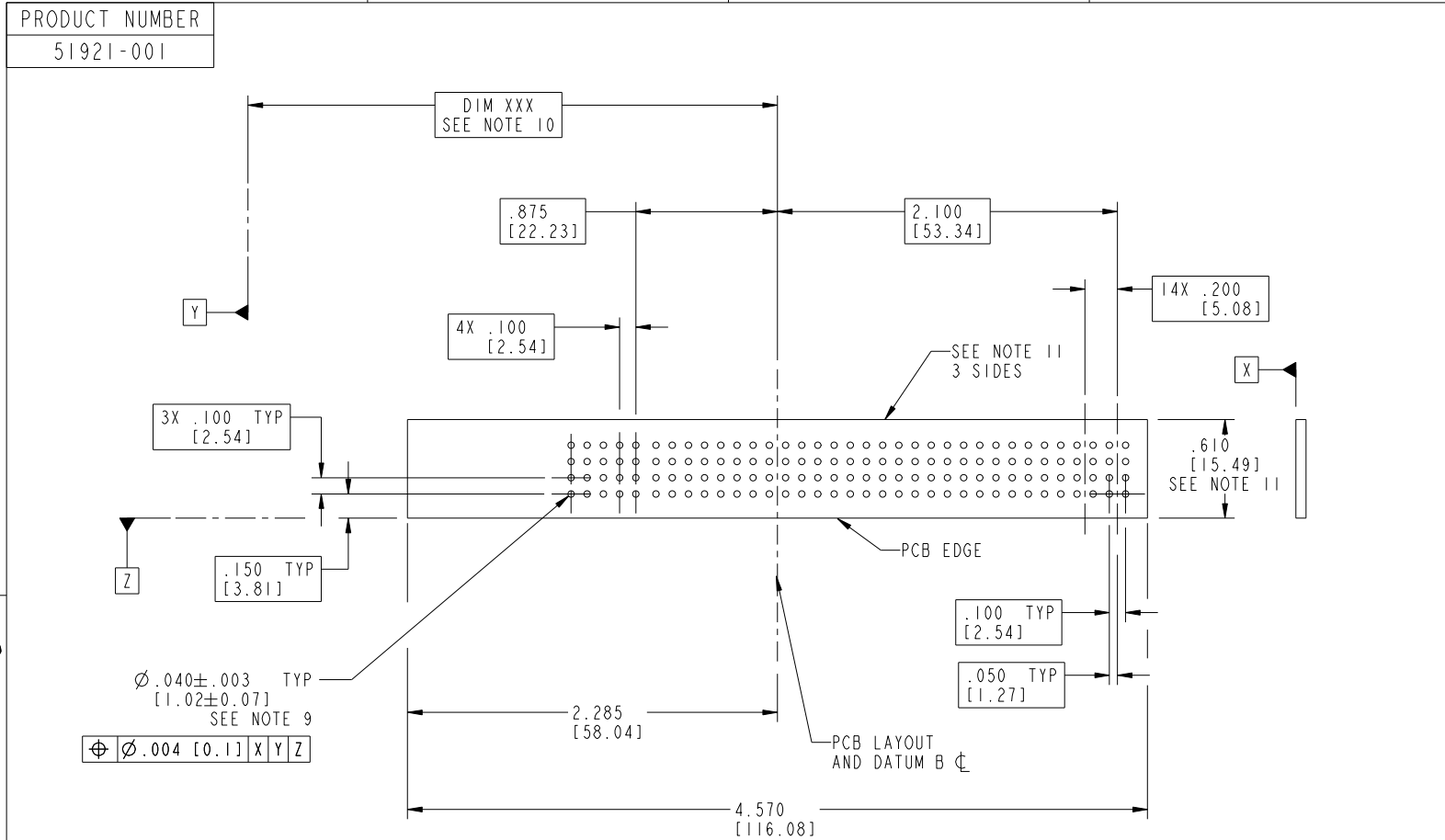
Pro/E

cage code 22526

Tous droits strictement réservés. Reproduction ou communication à des tiers interdite sous quelque forme que ce soit sans autorisation écrite du propriétaire. Propriété de c.FCI. Droits de reproduction FCI.



All rights strictly reserved. Reproduction or issue to third parties in any form whatsoever is not permitted without written authority from the proprietor. Property of FCI. Copyright FCI.



⊕ Ø.004 [0.1] | X | Y | Z

mat'l code		SEE NOTE 2		tolerances unless otherwise specified		CUSTOMER		 www.fciconnect.com	
ltr	ecn no.	dr	date	linear	.XX±.01/0.X±0.3	COPY		title	
C					.XXX±.005/0.XX±0.13	projection		15P + 20S + 3ACP	
				angles	.XXX±.0020/0.XXX±0.051	 INCH/MM		R/A SLDR. RCPT. CABLE PORT	
				dr	0°±2°	scale		product family	
				enr	STEVEN WANG 12/21/04	1:1		PwrBlade	
				chr	LH 12/21/04	size		code	
				appd	VICTOR LIN 12/21/04	A		213	
					JOSEPH HSIA 12/21/04	dwg no		sheet	
sheet index	revision sheet					51921-001		3 of 4	

cage code 22526

Tous droits strictement reserves. Reproduction ou communication a des tiers interdite sous quelque forme que ce soit sans autorisation écrite du propriétaire. Propriete de c FCI. Droits de reproduction FCI.



All rights strictly reserved. Reproduction or issue to third parties in any form whatever is not permitted without written authority from the proprietor. Property of FCI. Copyright FCI.

PRODUCT NUMBER
51921-001

NOTES:

1. DIMENSIONS AND TOLERANCES ARE IN ACCORDANCE WITH ASME Y14.5M, 1994 UNLESS OTHERWISE SPECIFIED.

CONNECTOR NOTES:

2. HOUSING MATERIAL: UL 94 V-0 GLASS FILLED HIGH-TEMP THERMOPLASTIC
POWER CONTACT MATERIAL: COPPER ALLOY
SIGNAL PIN MATERIAL: COPPER ALLOY

3. SEE ITEM 5 & 6 IN PRINT 10064183 FOR PLATING SPEC OF 51921-001 AND 51921-001LF RESPECTIVELY.

4. MANUFACTURER'S NAME, P/N, AND DATE CODE TO APPEAR ON THIS SURFACE.

5. PRODUCT SPECIFICATION GS-12-149.
APPLICATION SPECIFICATION BUS-20-067.

6. PACKAGED IN TRAYS.

PCB NOTES:

7. ALL HOLE DIAMETERS ARE FINISHED HOLE SIZE.

8. MOUNTING HOLES, WHERE APPLICABLE, ARE UNPLATED.

9. $\varnothing .0453 \pm .0010$ [1.151 \pm 0.025] DRILLED HOLES PLATED WITH .0003 [0.008] MIN SnPb OVER .001 [0.03] TO .003 [0.08] Cu PLATING TO ACHIEVE $\varnothing .040 \pm .003$ [1.02 \pm .07] HOLE.

10. "DIM XXX" TO BE DETERMINED BY THE CUSTOMER.

11. CONNECTOR KEEP-OUT ZONE.

12. A \triangle SYMBOL WILL BE NEXT TO ANY DIMENSION, VIEW, OR NOTE WHICH HAS BEEN MODIFIED WITH THE CURRENT DRAWING REVISION.

mat'l code				SEE NOTE 2		tolerances unless otherwise specified		CUSTOMER		FCI		www.fciconnect.com	
ltr	ecn no.	dr	date	linear	.XX±.01/0.X±0.3		COPY		projection	title			15P + 20S + 3ACP R/A SLDR. RCPT. CABLE PORT
C					.XXX±.005/0.XX±0.13		INCH/MM			product family		PwrBlade	
				angles	.XXX±.002/0.XXX±0.051		1:1		size		dwg no		213
				dr	0°±2°		scale		A		51921-001		sheet
				enr	STEVEN WANG	12/21/04							4 of 4
				chr	LH	12/21/04							
				appd	VICTOR LIN	12/21/04							
					JOSEPH HSIA	12/21/04							
sheet index	revision sheet												

cage code 22526

Pro/E