



Features

| | |
|------------------|-----------------------------------------------------------------------------------------------------------------------------------------------------------------|
| Package | φ3 flush mount through-hole type, Green color emitting LED. Lens color : Water clear, |
| Product features | <ul style="list-style-type: none"> •Wide spatial distribution (2θ1/2 : 90deg.) •Lead-free soldering compatible •RoHS compliant |

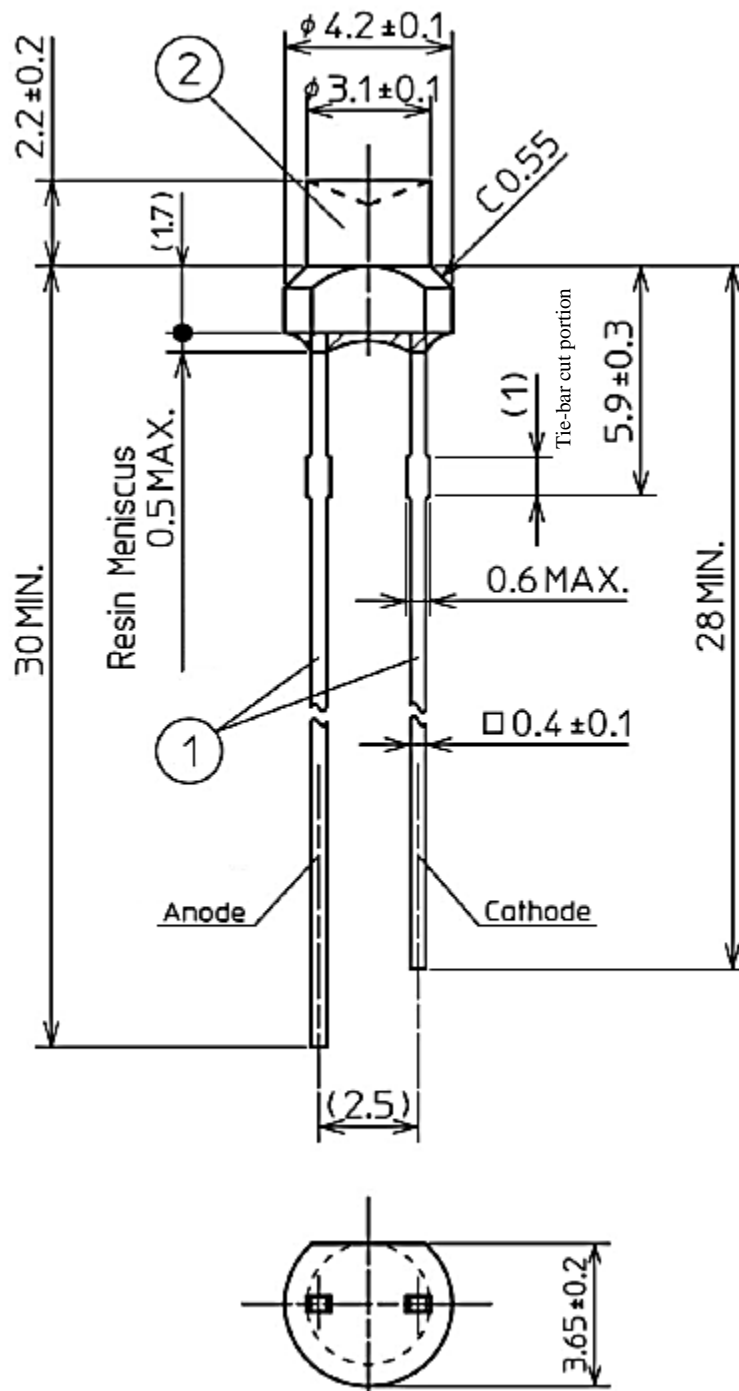
Recommended Applications

- Amusement Machine, OA/FA, Other General Applications

Outline Dimensions

THG3809X

Unit :mm
Weight :160mg



Notes:

1. The lead should be bent 1.6mm away from the resin mold.
2. Iron material is exposed at the tie-bar cutting part.
3. The minimum packing unit is 200 pieces.

| NO. | PART NAME | MATERIALS |
|-----|------------|-----------------|
| ① | Lead Frame | Fe + Ag plating |
| ② | Mold Resin | Epoxy resin |

【 Product Overview 】

| | |
|----------------|-------------|
| Die Material | InGaN |
| Emitting Color | Green |
| Resin Color | Water Clear |

【 Absolute Maximum Ratings 】

(Ta=25°C)

| ITEM | SYMBOL | MAXIMUM RATINGS | UNITS |
|-------------------------------------------------------------|------------------|-----------------|-------|
| Power Dissipation | P_d | 38 | mW |
| Forward Current | I_F | 10 | mA |
| Repetitive Peak Forward Current | I_{FRM} | 20 | mA |
| Forward Current Derate Linearly from "25°C" | ΔI_F | 0.133 | mA |
| Repetitive Peak Forward Current Derate Linearly from "25°C" | ΔI_{FRM} | 0.267 | mA |
| Reverse Voltage | V_R | 5 | V |
| Operating Temperature | T_{opr} | -40 ~ +85 | °C |
| Storage Temperature | T_{stg} | -40 ~ +100 | °C |
| Soldering Temperature "Dip Soldering" | T_{sld} | 265 | °C |

Note 1

Note 2

Note 1 I_{FRM} Conditions : Pulse Width \leq 1ms , Duty \leq 1/20

Note 2 Please refer to page 7, soldering precautions.

【 Electro and Optical Characteristics 】

(Ta=25°C)

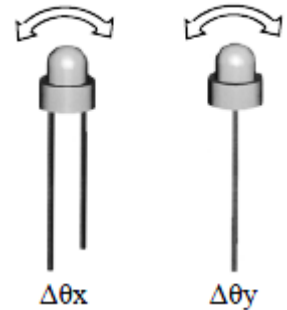
| ITEM | SYMBOL | CONDITIONS | MIN. | TYP. | MAX. | UNITS |
|--------------------------|------------------|--------------------|------|-------|------|---------------|
| Forward Voltage | V_F | $I_F = 5\text{mA}$ | 2.5 | 3.0 | 3.5 | V |
| Reverse Current | I_R | $V_R = 5\text{V}$ | - | - | 100 | μA |
| Luminous Intensity | I_V | $I_F = 5\text{mA}$ | 90 | 180 | - | mcd |
| Luminous Flux | ϕ_V | $I_F = 5\text{mA}$ | - | 1,000 | - | mlm |
| Peak Wavelength | λ_p | $I_F = 5\text{mA}$ | - | 520 | - | nm |
| Dominant Wavelength | λ_d | $I_F = 5\text{mA}$ | 517 | 525 | 549 | nm |
| Spectral Line Half Width | $\Delta\lambda$ | $I_F = 5\text{mA}$ | - | 35 | - | nm |
| Half Intensity Angle | $\Delta\theta_x$ | $I_F = 5\text{mA}$ | - | 90 | - | deg. |
| | $\Delta\theta_y$ | | - | 90 | - | |

Note3

Note4

Note3 Please refer to below sorting chart.

Note4 Viewing angle at 50% I_V , $\Delta\theta_x$: lead parallel side axis, $\Delta\theta_y$: lead vertical side axis. (Please refer to below figures.)



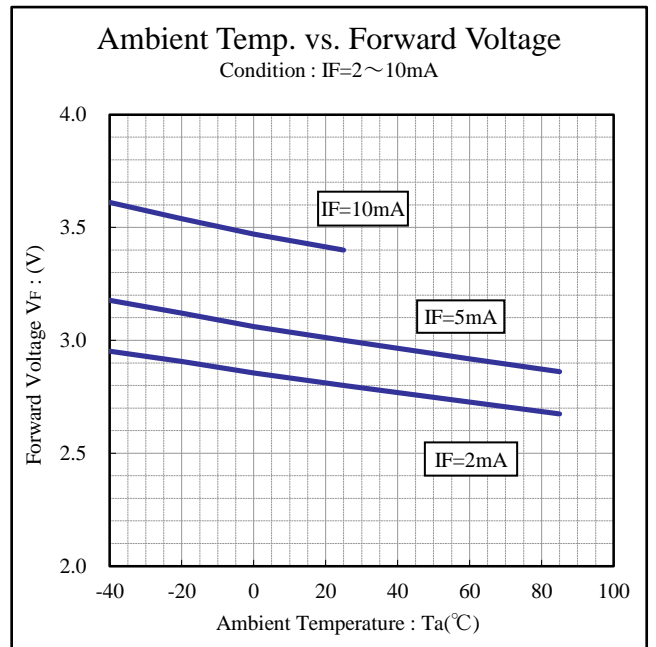
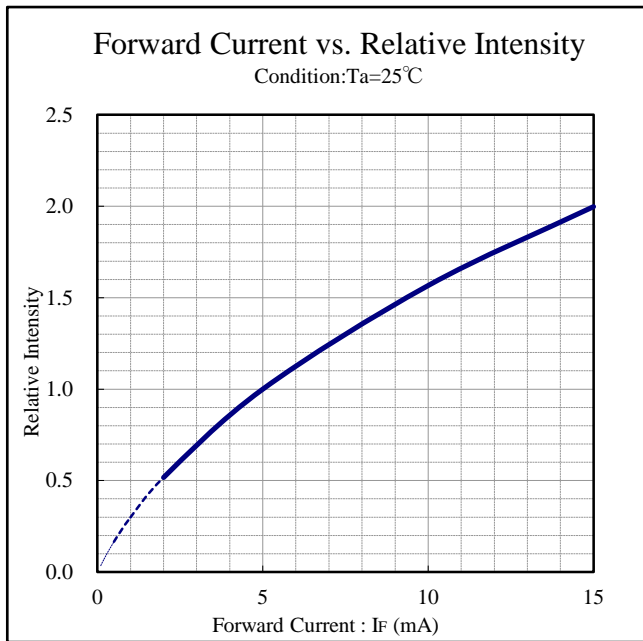
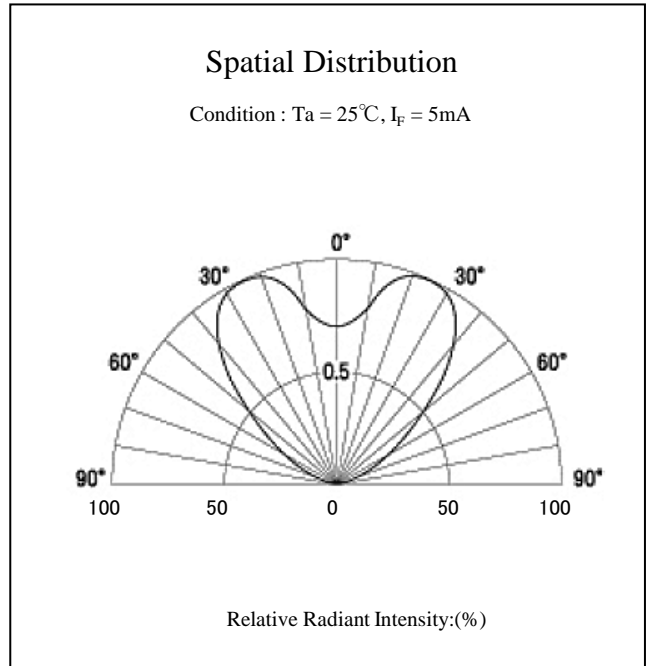
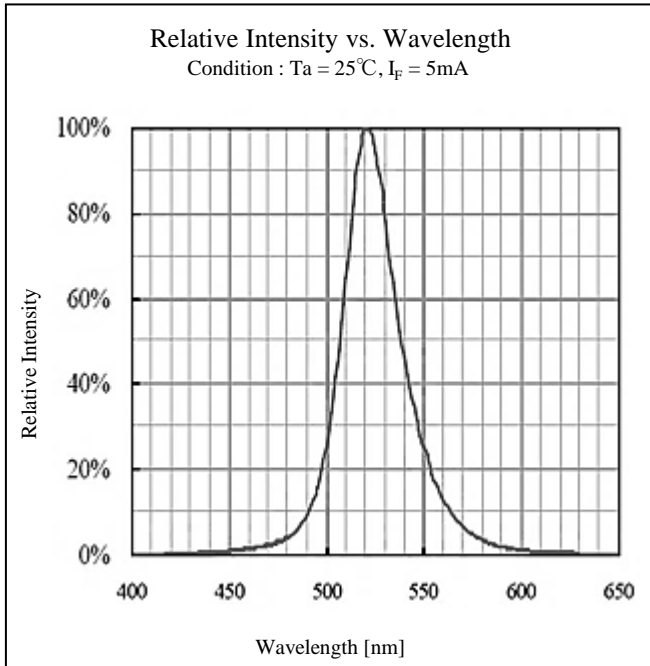
【 Sorting chart For Luminous Intensity 】

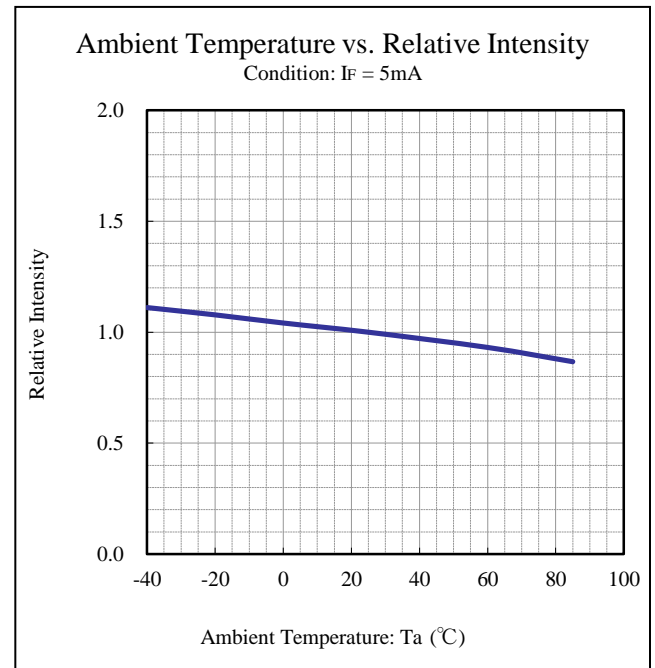
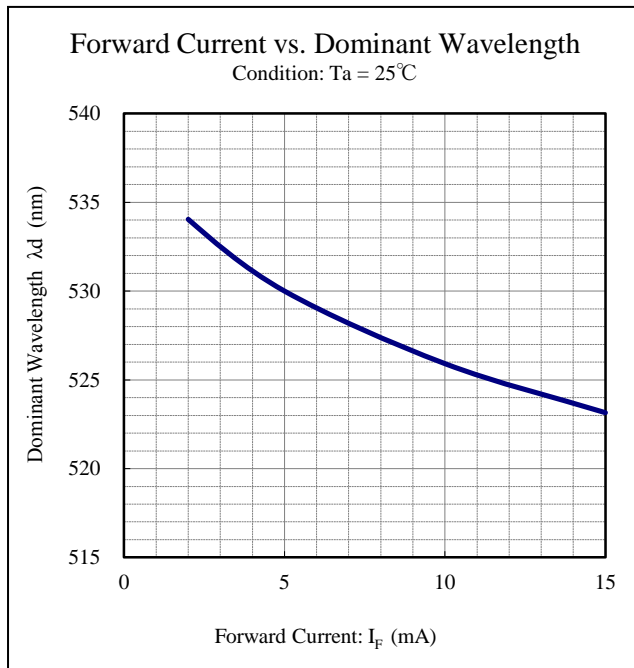
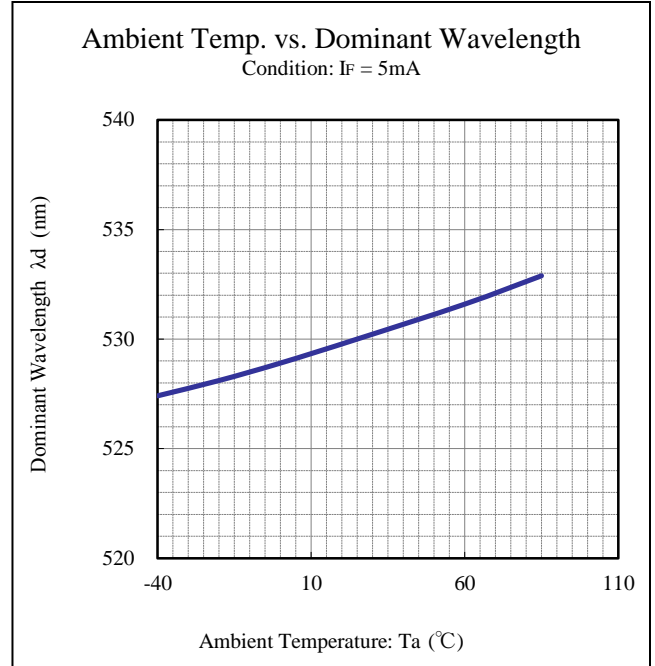
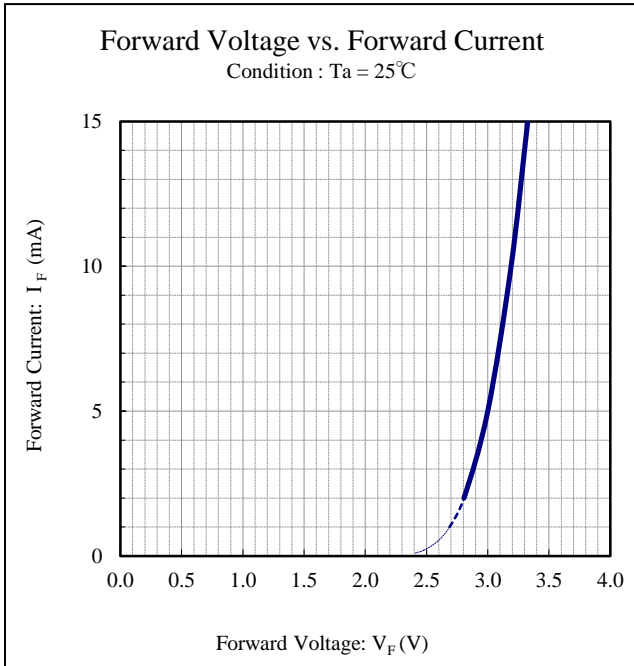
LEDs shall be sorted out into the following chart and each rank parts shall be packed separately when shipping.

| Rank | I_V (mcd) | | Condiiton |
|------|-------------|------|------------------------------------------------|
| | MIN. | MAX. | |
| A | 90 | 180 | $T_a = 25^\circ\text{C}$ $I_F = 5\text{mA}$ |
| B | 130 | 260 | |
| C | 180 | 360 | |
| D | 260 | 520 | |
| E | 360 | - | |

【 Marking 】

Rank marking shall be indicated in the space of lot number on the product label.





Soldering Conditions

1 Soldering Precaution

- 1) Please avoid dipping the resin directly into the solder bath.
- 2) Please do not apply the heat of 100 °C or more to the resin.
- 3) Any shock or vibration to the LED resin body should be avoided after soldering for the resin is soft and easily to be damaged until it return to room temperature.
- 4) Heating up for temporarily fix of other surface-mounting device should be done under 100°C. Avoid any pressure to the frame and resin part of LED.
- 5) The tie-bar cutting part might get oxidized because iron has been exposed. Please avoid soldering on the tie-bar part, because the solderability decreases when oxidization occurs. When the soldering part and die-bar cutting part overlaps, please confirm the solderability before using.

2 Recommendation Condition of Soldering

1) Soldering iron

Temperature at tip of iron : 400°C MAX.

Soldering time : 3s MAX.

※ Position : At least 1.6mm away from the root of lead

The number of manual soldering process shall be 2 times Max.

Cooling process to room temp. is required between first and second manual soldering process.

2) Dip Soldering

Pre-heating : Resin surface temperature should be set under 100°C.

Bath temperature : 265°C MAX.

Dipping time : 5s MAX.

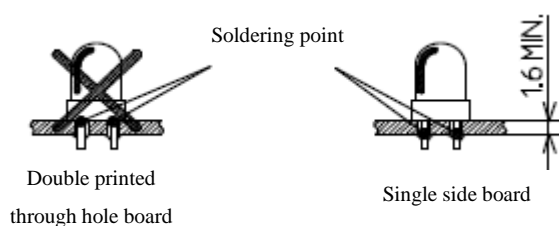
※ Position : At least 1.6mm away from the root of lead.

The number of dip soldering process shall be 2 times Max.

Cooling process to room temp. is required between first and second dip soldering process.

※ Soldering positioning

Note Through hole board is not recommended because soldering position will become 0 mm.



3) Reflow Soldering

Not recommended

(However, if LED lamp and other electronic components are soldered together and the temperature of resin can be controlled within 100°C, reflow soldering is acceptable.)

【 For Electric Static Discharge (ESD) 】

This kind of LED lamp is highly sensitive to surge voltage generated by the On/Off status change and discharges of static electricity through frictions with synthetic materials, which may cause severe damage to the die or undermine its reliability.

Damaged products may experience conditions such as extremely high reverse voltage, or a decrease of forward rise voltage, deteriorating its optical characteristic.

Stanley products are designed to withstand up to 1,000V under the EIAJ ED-4701/300 Test #304 (HBM), and are packed with anti-static components. However, the following precautions and measures are vital in ensuring product quality during shipment.

EIAJ ED-4701/300(304/HBM) Electrification model: C=100pF, R2=1.5KΩ

1. Electrification/Static Electricity protection

Stanley recommends the following precautions in order to avoid product (die) damage from static electricity, when an operator and other materials electrified by friction coming in contact with the product.

- ① Do not place electrified non-conductive materials near the LED product.
Avoid LED products from coming into contact with metallic materials.(Should the metallic material be electrified, the sudden surge voltage will most likely damage the product.)
- ② Avoid a working process which may cause the LED product to rub against other materials.
- ③ Install ground wires for any equipment, where they can be installed, with measures to avoid static electricity surges.
- ④ Prepare a ESD protective area by placing a Conductive Mattress (1MΩ MAX.) and Ionizer to remove any static electricity.
- ⑤ Operators should wear a protective wrist-strap.
- ⑥ Operators should wear conductive work-clothes and shoes.
- ⑦ To handle the products directly, Stanley recommends the use of ceramic, and not metallic, tweezers.

2. Working Environment

- ① A dry environment is more likely to cause static electricity. Although a dry environment is ideal for storage state of LED products, Stanley recommends an environment with approximately 50% humidity after the soldering process.
- ② Recommended static electricity level in the working environment is 150V, which is the same value as Integrated Circuits (which are sensitive to static electricity).

Handling precaution

【 Cleaning 】

- 1) Some chemicals could corrode, oxidize cloud or crack the optical characteristics of the lens.
Please review the reference chat below carefully before cleaning.

| Solvent | Adaptability |
|-------------------|--------------|
| Isopropyl alcohol | ○ |
| Pure water | ○ |
| Acetone | × |
| Thinner | × |

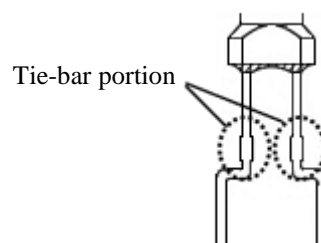
NOTE

- Dipping time: 3 minutes MAX.(at room temperature)
- If pure water is used, please refer to 4).

- 2) Effect of ultrasonic cleaning on the LED will vary on such factors as the oscillator output, capacity ,size of P.C.B and LED mounting method, etc.
Cleaning should be done after confirming that there is no problem during actual usage with ultrasonic cleaning .
- 3) Freon substitute detergent could corrode, oxidize, cloud or crack the resin of LED, please ensure that there is no problem before using it.
- Freon substitute detergent
- Clean through-750H
 - Pine alpha ST-100S
- 4) If water needs to be used for cleaning, please use pure water(not tap water), and completely dry the component.

【 Lead Forming 】

- 1) The lead frame should be bent at a point 2mm away from the root of lead.
Please perform at room temperature.
- 2) During forming, a jig or radio pliers should be firmly fixed to the root of lead, to which no mechanical stress should be applied.
- 3) All forming must be performed prior to soldering.
- 4) Forming pitch should be adjusted to the device insertion hole-pitch on the PCB.
- 5) Please avoid bending at the tie-bar part of lead during foaming because there is possibility that the stable forming shape can not be formed.

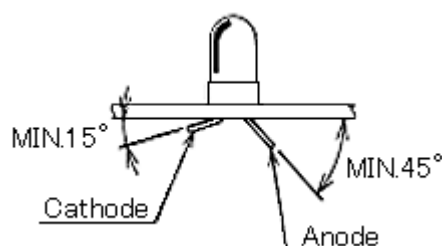


【 LED Mounting method 】

- 1) Please avoid excessive stress to lead frames during mounting. Mounting should be performed at room temperature.
- 2) To determine mount positions of LEDs using a case, please take into account the dimensions of the casing, board, device to avoid excessive stress on the lead.
- 3) Please fix the LED within the casing using the lead, and do not use adhesives, resin, or any other materials to fix the LED position.
- 4) With regard to using an inserter (automation), please adjust the insertion pressure to the lowest possible setting, and minimize the clinch angle as for as it can hold the component.

<ex.> Clinch angle : Cathode 15° MIN.
Anode 45° MIN.

Pusher pressure : 0.2MPa MAX.



| Lead width | Holes between pitches on board |
|------------|--------------------------------|
| □0.4mm | φ0.7~1.0mm |

Handling precaution

【 Basic design 】

1.1 Designing for Safety

All LED Lamps are designed to operate without failure in recommended usage conditions. However, all semiconductor components are prone to unexpected malfunctions and failures. Please take the necessary precautions to prevent fire, injury and other damage should any malfunction or failure arise.

1.2 Absolute Maximum Rating

Absolute Maximum Ratings are set to prevent LED Lamps from failing due to excess stress (temperature, current, voltage, etc.). Usage conditions must not exceed the ratings for a moment, nor do reach one items of Absolute Maximum Rating simultaneously.

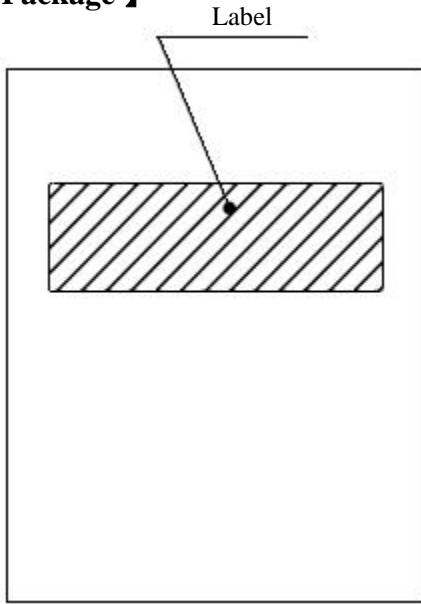
1.3 Actual Usage Design

- 1) In order to ensure high reliability from LED lamps, variable factors that arise in actual usage conditions should be taken in account for designing.(Derating of TYP., MAX Forward Voltage, etc.)
- 2) Please insert straight protective resistors into the circuit in order to stabilize LED lamp operation and also to prevent the device from igniting due to excess current. If LEDs need to be used in a matrix circuit, a fully understanding of LEDs' characteristics is required for designing..
- 3) This LED lamps should be used with current of 2mA or more. If using LED lamps with current over 2 mA, it might vary considerably in chromaticity, luminous intensity, forward current. So current of 2mA or more is recommended considering the optimization of product selection and protective resistors.

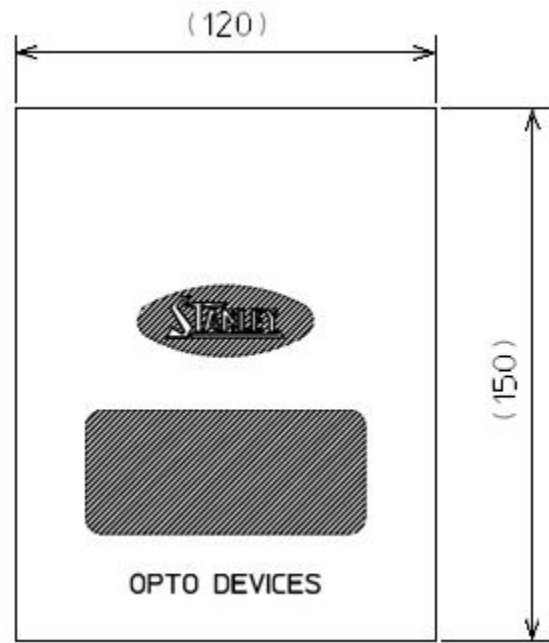
【 Other precautions 】

- 1) Once the package is open, please use as soon as possible, as keeping an opened package for a long time could cause the lead frame to oxidize. For storage, please avoid wetness and humidity, while taking care to avoid condensation caused by rapid temperature changes.
- 2) In case of product failures, the lot number on the product package label will be helpful in speeding up our response action.
- 3) Please refrain from looking directly at the light source of LED Lamp at high output, as it may harm your vision.
- 4) Stanley LED Lamps have semiconductor characteristics and are designed to ensure high reliability. However, the performance may vary depending on usage conditions
- 5) Please check the actual performance in the assembly because the Specification Sheets are described for single LED.
- 6) The products are manufactured to be used for ordinary electronic equipment. Please contact our sales staff beforehand when exceptional quality and reliability are required, and the failure or malfunction of the products might directly jeopardize life or health (such as for airplanes, aerospace, transport equipment, medical applications, nuclear reactor control systems and so on).
- 7) If the actual using condition is different from Stanley's recommended conditions on this specification, please verify LED lamp's performance under actual conditions to ensure there is no problem before actual use.
- 8) The formal specification sheets shall be valid only by exchange of documents signed by both parties.

【 Package 】



Front side

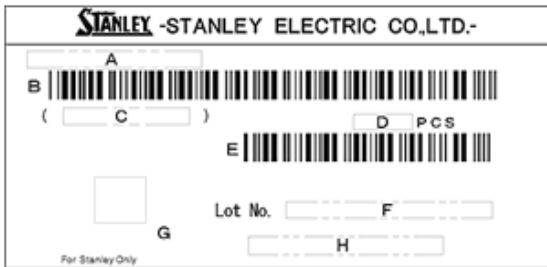


Back side

【 Label Specification 】

Acc.to JIS-X0503(Code-39)

Product label



- A. Parts number
- B. Bar-code for parts number
- C. Parts code (In-house identification code for each parts number)
- D. Packed parts quantity
- E. Bar-Code for packed parts quantity
- F. Lot number & Rank
(refer to Lot Number Notational System for details)
- G. QR-Code for internal management
- ★ H. Customer Parts number

Note "★" will be filled out when customer parts number is different form Stanley parts number.

Packaging Specifications

Package

1. Package conditions: Clear plastic bag , 200pcs. / bag.
2. Warranty period: Within 12 months under following conditions.

Un-opened, at normal temperature / Normal relative humidity (+5~+30°C / 70%Rh.max.).

Note1

The solderability of terminals of LED might decrease if above warranty period expired.

Note2

Lead frames of LED might get oxidized which will decrease the solderability of terminals if the products are stored with cardboard and rubber. The products should be isolated from these in keeping.

Note3

Due to convenience of shipping and transportation, Stanley use cardboard box to shipping products during transportation. Cardboard contains sulfur element which will corrode silver plating. Please take the products out of the cardboard box for long term storage.

Note4

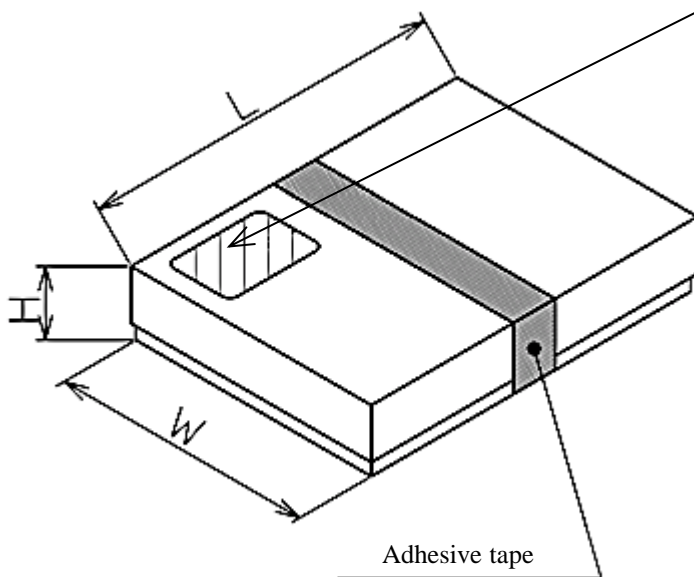
Excess press to the package bag which might deform the lead part of LEDs should be avoided.

3. Inner Packing Box.

| Box Type | Outline dimension L × W × H (mm) | Box Type | Outline dimension L × W × H (mm) |
|----------|-------------------------------------|----------|-------------------------------------|
| A1 | 195 × 117 × 38 | B2 | 310 × 225 × 105 |
| A4 | 304 × 224 × 46 | B3 | 495 × 230 × 150 |
| HEAD | 390 × 210 × 65 | | |

- Note
- The above measures are all reference values.
 - The box is selected out of the above table by shipping quantity and product size.
 - Package materials are filled into the box to keep products form moving.

OPTO DEVICES /Seal



| | |
|-------------------------------------|------------------------------------|
| STANLEY OPTO DEVICES | |
| <input type="text" value="A"/> | 御中 |
| <input type="text" value="B"/> | <input type="text" value="D"/> |
| (<input type="text" value="C"/>) | |
| Q'TY <input type="text" value="E"/> | PCS <input type="text" value="G"/> |
| C/NO <input type="text" value="F"/> | <input type="text" value="I"/> |
| | |
| STANLEY ELECTRIC CO., LTD. | |

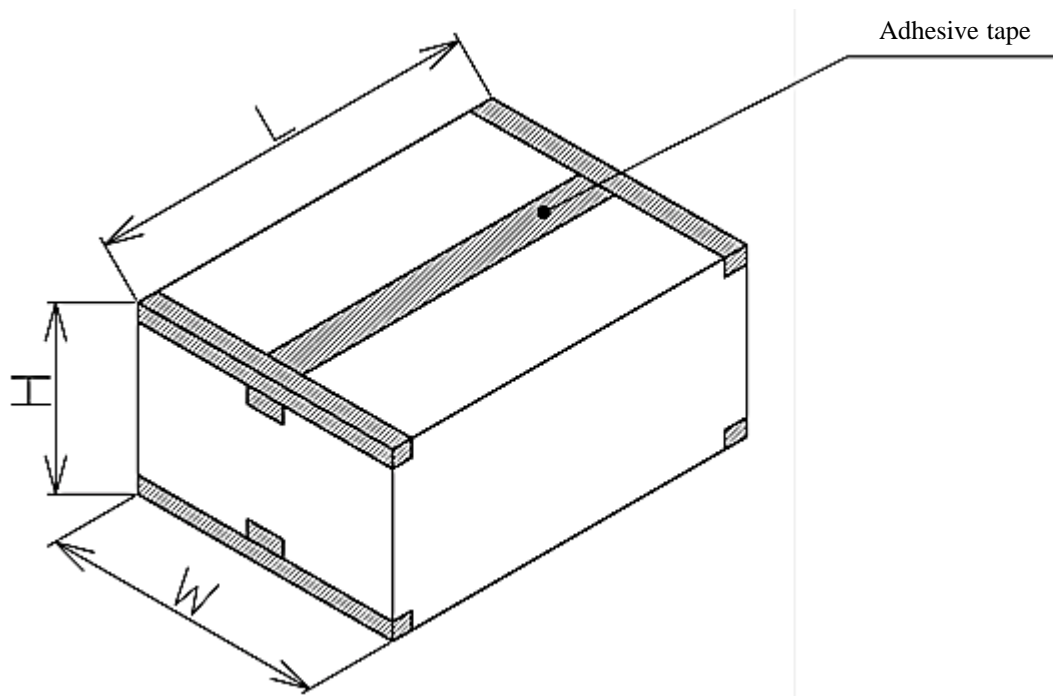
- | | |
|----------------------------|------------------------------------------------|
| A. Customer Name | B. Parts Type |
| C. Parts Code | D. Parts Number |
| E. Packed Parts Quantity | F. Carton Number |
| G. Shipping Date | H. Bar-Code for In-house identification Number |
| ★ I. Customer Parts number | |

- Notes
- The above figure is a representative example. The way that how adhesive tape is applied differs by the box type.
 - "★" only appears when customer parts number is different form Stanley parts number.

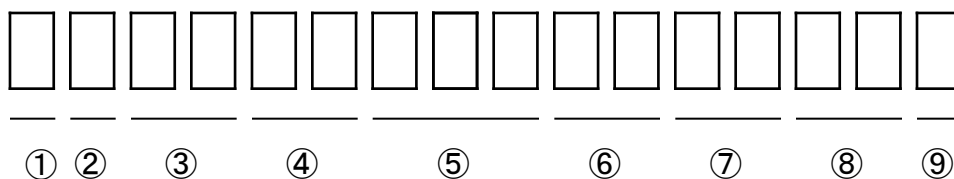
4. Outer packing box.

| Box Type | Outline dimension L × W × H (mm) | Box Type | Outline dimension L × W × H (mm) |
|----------|-------------------------------------|----------|-------------------------------------|
| HEAD | 390 × 210 × 65 | G1 | 480 × 340 × 225 |
| G4 | 320 × 230 × 150 | LED-C | 505 × 255 × 315 |
| 2P | 410 × 150 × 230 | G2 | 480 × 340 × 320 |
| SH-1 | 510 × 255 × 165 | 10P | 400 × 335 × 450 |
| 5P | 400 × 335 × 225 | | |

- Note
- The above measure are all reference value.
 - The box is selected out of the above table by shipping quantity and product size.
 - Package materials are filled into the box to keep products form moving



- Note
- The above figure is a representative example.
 - The way that how adhesive tape is applied on the box differs by the box type.



① - 1digit : Production Location (Mark identify alphabet)

② - 1digit : Production Year (Last digit of Production Year 2009→9,2010→0,2011→1,···)

③ - 2digits : Production Month (Jan. to Sep. , should be 01,02,03,·····)

④ - 2digits : Production Date

⑤ - 3digits : Serial Number

⑥ - 2digits : Tape and Reel following Number

⑦ - 2digits : Luminous Intensity Rank.

(If luminous intensity rank is 1 digit, "-" shall be dashed on the place for the second digit.

If there is no identified intensity rank, "- -" is used to indicate.)

⑧ - 2digits : Dominant Wavelength Rank

(If chromaticity rank is 1 digit, "-" shall be dashed on the place for the second digit.

If there is no identified intensity rank, "- -" is used to indicate.)

⑨ - 1digit : Option Rank (Stanley normally print "-" to indicate)

Correspondence to RoHS・ELV instruction

THG3809X

This product is in compliance with RoHS・ELV.

Prohibition substance and it's criteria value of RoHS・ELV are as follows.

- RoHS instruction Refer to following (1)~(6).
- ELV instruction Refer to following (1)~(4).

| | Substance Group Name | Criteria Value |
|-----|---------------------------|----------------|
| (1) | Lead and its compounds | 1,000ppm Max |
| (2) | Cadmium and its compounds | 100ppm Max |
| (3) | Mercury and its compounds | 1,000ppm Max |
| (4) | Hexavalent chromium | 1,000ppm Max |
| (5) | PBB | 1,000ppm Max |
| (6) | PBDE | 1,000ppm Max |

1. Reliability Testing Result

| Testing Items | Standard | Testing Conditions |
|-------------------------------|-----------------------|------------------------------------------------------------------------------------------------------------------------------------|
| Room Temp. Operating Life | EIAJ ED-4701/100(101) | Ta = 25°C, I _F = Maximum Rated Current |
| Resistance to Soldering Heat | EIAJ ED-4701/300(302) | 265°C, 10s, 1.6mm from resin mold (stationary solder bath) |
| Temperature Cycling | EIAJ ED-4701/100(105) | Minimum Rated Storage Temp.(30min) ~ Normal Temp.(15min) ~ Maximum Rated Storage Temp.(30min) ~ Normal Temp.(15min) 5 cycles |
| Wet High Temp. Storage Life | EIAJ ED-4701/100(103) | Ta = 60±5°C, RH = 90±5% |
| High Temp. Storage Life | EIAJ ED-4701/200(201) | Ta = Maximum Rated Storage Temp. |
| Low Temp. Storage Life | EIAJ ED-4701/200(202) | Ta = Minimum Rated Storage Temp. |
| Lead Tension | EIAJ ED-4701/400(401) | 10N, 10s, 1time |
| Vibration, Variable Frequency | EIAJ ED-4701/400(403) | 98.1m/s ² (10G), 100 ~ 2,000Hz sweep for 20min., XYZ each direction, 2h of each direction |

2. Failure Criteria

| Items | Symbol | Conditions | Failure criteria |
|---------------------|----------------|------------------------------|--------------------------------------------------------------|
| Luminous Intensity | I _v | I _F =5mA, Ta=25°C | Testing Min. Value < Spec. Min. Value x 0.5 |
| Forward Voltage | V _F | I _F =5mA, Ta=25°C | Testing Max. Value ≥ Spec. Max. Value x 1.2 |
| Reverse Current | I _R | V _R =5V | Testing Max. Value ≥ Spec. Max. Value x 2.5 |
| Cosmetic Appearance | - | - | Occurrence of notable decoloration, deformation and cracking |

Special Notice to Customers Using the Products and Technical Information Shown in This Data Sheet

- 1) The technical information shown in the data sheets are limited to the typical characteristics and circuit examples of the referenced products. It does not constitute the warranting of industrial property nor the granting of any license.
- 2) For the purpose of product improvement, the specifications, characteristics and technical data described in the data sheets are subject to change without prior notice. Therefore it is recommended that the most updated specifications be used in your design.
- 3) When using the products described in the data sheets, please adhere to the maximum ratings for operating voltage, heat dissipation characteristics, and other precautions for use. We are not responsible for any damage which may occur if these specifications are exceeded.
- 4) The products that have been described to this catalog are manufactured so that they will be used for the electrical instrument of the benchmark (OA equipment, telecommunications equipment, AV machine, home appliance and measuring instrument).
The application of aircrafts, space borne application, transportation equipment, medical equipment and nuclear power control equipment, etc. needs a high reliability and safety, and the breakdown and the wrong operation might influence the life or the human body. Please consult us beforehand if you plan to use our product for the usages of aircrafts, space borne application, transportation equipment, medical equipment and nuclear power control equipment, etc. except OA equipment, telecommunications equipment, AV machine, home appliance and measuring instrument.
- 5) In order to export the products or technologies described in this data sheet which are under the “Foreign Exchange and Foreign Trade Control Law,” it is necessary to first obtain an export permit from the Japanese government.
- 6) No part of this data sheet may be reprinted or reproduced without prior written permission from Stanley Electric Co., Ltd.
- 7) The most updated edition of this data sheet can be obtained from the address below:
<http://www.stanley-components.com/en/>