

**EM3533 Series**

**Euro-Mag Terminal Blocks**

Pluggable Block (Mates with EM2221 Series);  
3.50 Centers

**SPECIFICATIONS**

**Rating:** 8A, 300V

**Center Spacing:** 0.138" (3.50mm)

**Wire Range:** #16-26 AWG

**Housing Material:** UL rated 94V0 Thermoplastic

**Contact Material:** Brass Tin-Plated

**Cage Clamp:** Brass, Nickel-Plated

**Screw Size:** M2.0 Nickel-Plated Steel

**Operating Temperature:** 105°C (221°F) max., -40°C (-40°F) min.

**Torque Rating:** 2.5 lb-in.

**Construction:** Mold-to-Length

**Agency Information:**  US File E62622; CE Certified

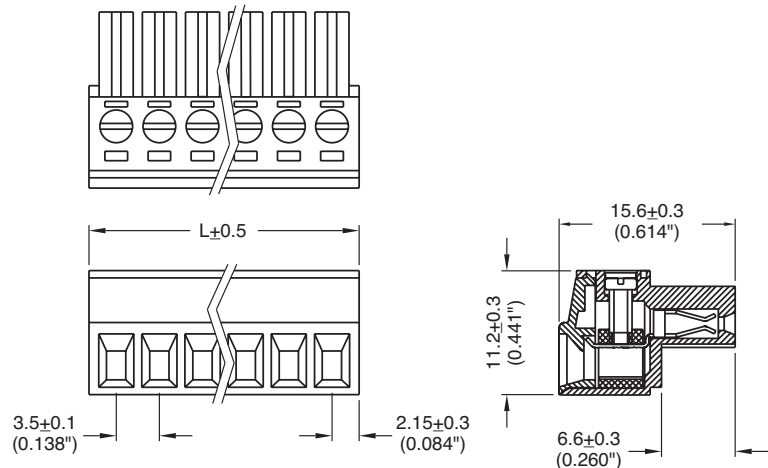


EM353308

| Poles | L (mm) |
|-------|--------|
| 2     | 7.8    |
| 3     | 11.3   |
| 4     | 14.8   |
| 5     | 18.3   |
| 6     | 21.8   |
| 7     | 25.3   |
| 8     | 28.8   |
| 9     | 32.3   |
| 10    | 35.8   |
| 11    | 39.3   |
| 12    | 42.8   |
| 13    | 46.3   |
| 14    | 49.8   |

To convert to inches, divide by 25.4

**Dimensions - mm (in)**



**Part Numbering System**

Series

# of Poles

**EM3533**

02 to 14

# EuroMag Series PCB Mount Pluggable Terminal Blocks

## EM2221 Series

### Euro-Mag Terminal Blocks

Closed Header; (Mates with EM3553 Series);  
3.50 Centers

#### SPECIFICATIONS

Rating: 8A, 300V

Center Spacing: 0.138" (3.50mm)

Housing Material: UL rated 94V0 Thermoplastic

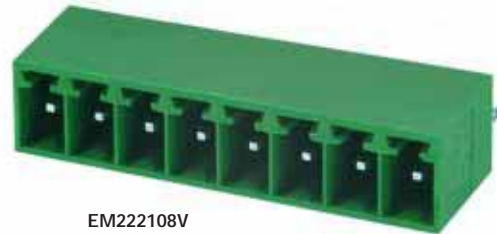
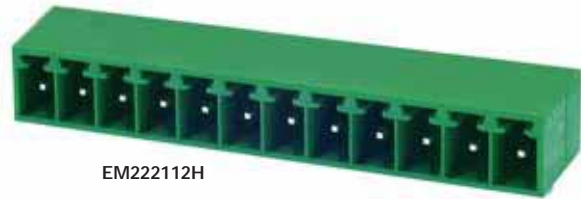
Contact Material: Brass Tin-Plated

Operating Temperature: 105°C (221°F) max., -40°C (-40°F) min.

Recommended PCB Hole Diameters: 0.055" (1.40mm)

Construction: Mold-to-Length

Agency Information:  File E62622; CE Certified

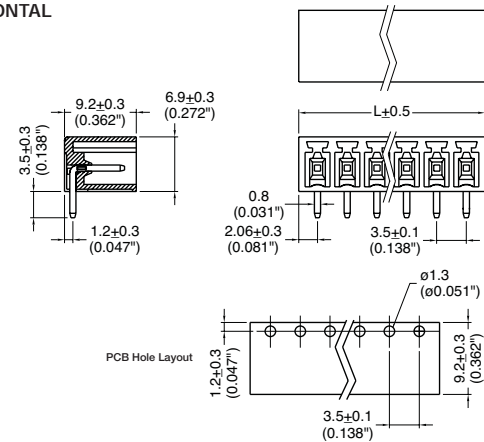


| Poles | L (mm) |
|-------|--------|
| 2     | 7.6    |
| 3     | 11.1   |
| 4     | 14.6   |
| 5     | 18.1   |
| 6     | 21.6   |
| 7     | 25.1   |
| 8     | 28.6   |
| 9     | 32.1   |
| 10    | 35.6   |
| 11    | 39.1   |
| 12    | 42.6   |
| 13    | 46.1   |
| 14    | 49.6   |

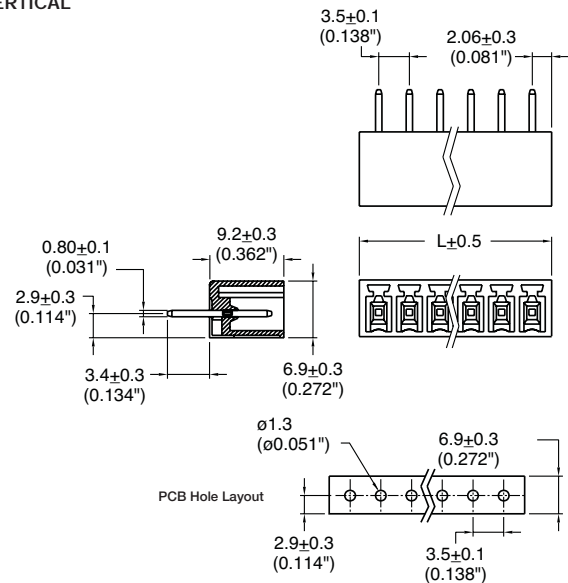
To convert to inches, divide by 25.4

#### Dimensions - mm (in)

##### HORIZONTAL



##### VERTICAL



## Part Numbering System

Series

EM2221

# of Poles

□ □

02 to 14

Orientation

□

H - horizontal  
V - vertical

**EM2413 Series**

**Euro-Mag Terminal Blocks**

Pluggable Block with Flanges (Mates with EM2201 Series); 3.50 Centers



EM241307

**SPECIFICATIONS**

**Rating:** 8A, 300V

**Center Spacing:** 0.138" (3.50mm)

**Wire Range:** #16-26 AWG

**Housing Material:** UL rated 94V0 Thermoplastic

**Contact Material:** Brass Tin-Plated

**Cage Clamp:** Brass, Nickel-Plated

**Screw Size:** M2.0 Nickel-Plated Steel

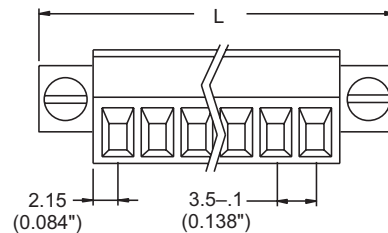
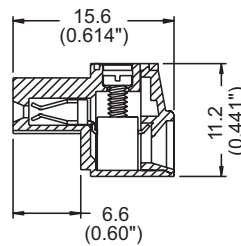
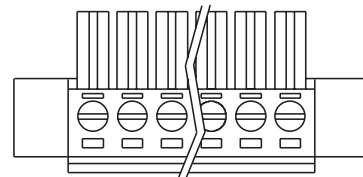
**Operating Temperature:** 105°C (221°F) max., -40°C (-40°F) min.

**Torque Rating:** 2.5 lb-in.

**Construction:** Mold-to-Length

**Agency Information:**  File E62622; CE Certified

**Dimensions - mm (in)**



| Poles | L (mm) |
|-------|--------|
| 2     | 17.4   |
| 3     | 20.9   |
| 4     | 24.4   |
| 5     | 27.9   |
| 6     | 31.4   |
| 7     | 34.9   |
| 8     | 38.4   |
| 9     | 41.9   |
| 10    | 45.4   |
| 11    | 48.9   |
| 12    | 52.4   |

To convert to inches, divide by 25.4

**Part Numbering System**

Series

# of Poles

**EM2413**

02 to 12

# EuroMag Series PCB Mount Pluggable Terminal Blocks

## EM2201 Series Euro-Mag Terminal Blocks

Header with Flanges (Mates with EM2413 Series); 3.50 Centers

### SPECIFICATIONS

**Rating:** 8A, 300V

**Center Spacing:** 0.138" (3.50mm)

**Housing Material:** Green Polyamide Type 6/6, 94V0

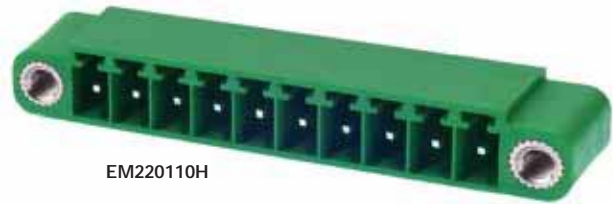
**Contact Material:** Brass Tin-Plated

**Operating Temperature:** 105°C (221°F) max., -40°C (-40°F) min.

**Recommended PCB Hole Diameters:** 0.055" (1.40mm)

**Construction:** Mold to Length

**Agency Information:** cULus File E62622; CE Certified

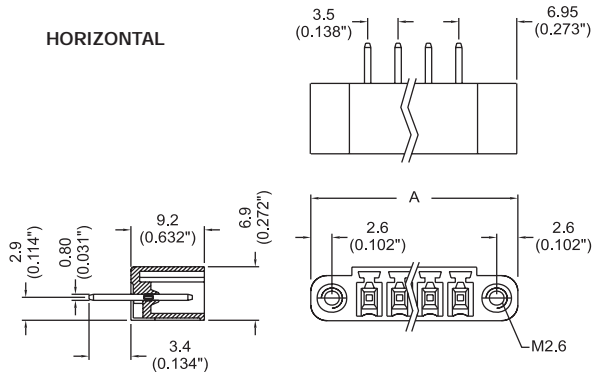


| Poles | L (mm) |
|-------|--------|
| 2     | 17.4   |
| 3     | 20.9   |
| 4     | 24.4   |
| 5     | 27.9   |
| 6     | 31.4   |
| 7     | 34.9   |
| 8     | 38.4   |
| 9     | 41.3   |
| 10    | 45.4   |
| 11    | 48.9   |
| 12    | 52.4   |

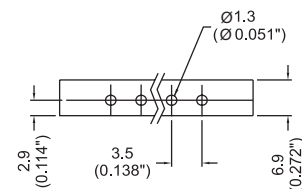
To convert to inches, divide by 25.4

### Dimensions - mm (in)

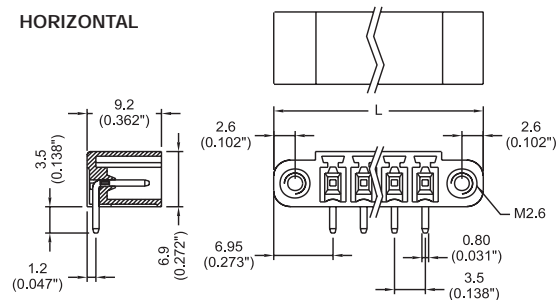
HORIZONTAL



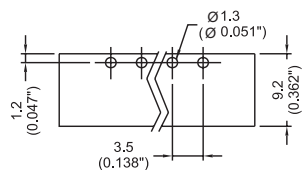
PCB Hole Layout



HORIZONTAL



PCB Hole Layout



## Part Numbering System

Series

EM2201

# of Poles

□ □

02 to 12

Orientation

□

H - horizontal  
V - vertical

**EM3553 Series**  
**Euro-Mag Terminal Blocks**  
 (Mates with EM3593 Series);  
 3.81 Centers

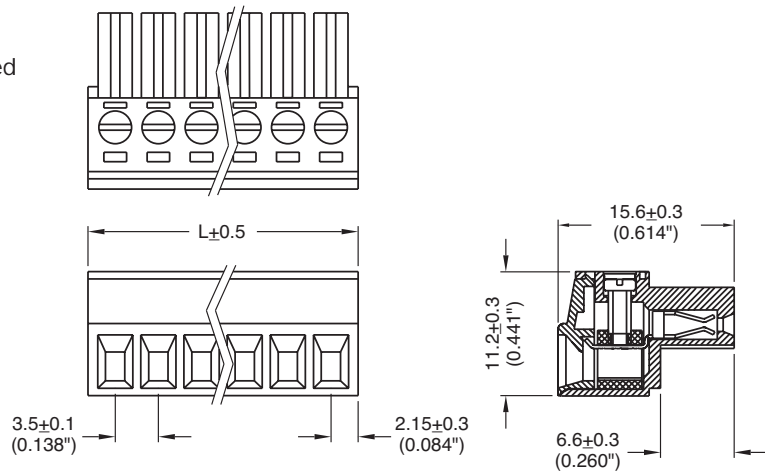
**SPECIFICATIONS**

- Rating:** 8A, 300V
- Center Spacing:** 0.15" (3.81mm)
- Consult factory for 0.30" (7.62mm)
- Wire Range:** #18-20 AWG
- Housing Material:** UL rated 94V0 Thermoplastic
- Contact Material:** Brass Tin-Plated
- Screw Size:** M2x3 Zinc-Plated Steel
- Operating Temperature:** 105°C (221°F) max., -40°C (-40°F) min.
- Torque Rating:** 3.0 lb-in.
- Construction:** Mold-to-Length
- Agency Information:** File E62622; CE Certified



EM355308

**Dimensions - mm (in)**



| Position | L (mm) |
|----------|--------|
| 02       | 7.90   |
| 03       | 11.71  |
| 04       | 15.52  |
| 05       | 19.33  |
| 06       | 23.14  |
| 07       | 26.95  |
| 08       | 30.76  |
| 09       | 34.57  |
| 10       | 38.38  |
| 11       | 42.19  |
| 12       | 46.00  |

To convert to inches, divide by 25.4

**Part Numbering System**

Series # of Positions

**EM3553**

02 to 12

Mating Header: EM3593 pg. 90

# EuroMag Series PCB Mount Pluggable Terminal Blocks

## EM3543 Series

### Euro-Mag Terminal Blocks

Pluggable Block (Mates with EM3593 Series);  
3.81 Centers

#### SPECIFICATIONS

**Rating:** 8A, 300V

**Center Spacing:** 0.15" (3.81mm)

Consult factory for 0.30" (7.62mm)

**Wire Range:** #16-24 AWG

**Housing Material:** UL rated 94V0 Thermoplastic

**Contact Material:** Brass Tin-Plated

**Cage Clamp:** Brass, Nickel-Plated

**Screw Size:** M2.0 Zinc-Plated Steel

**Operating Temperature:** 105°C (221°F) max., -40°C (-40°F) min.

**Torque Rating:** 2.5 lb-in.

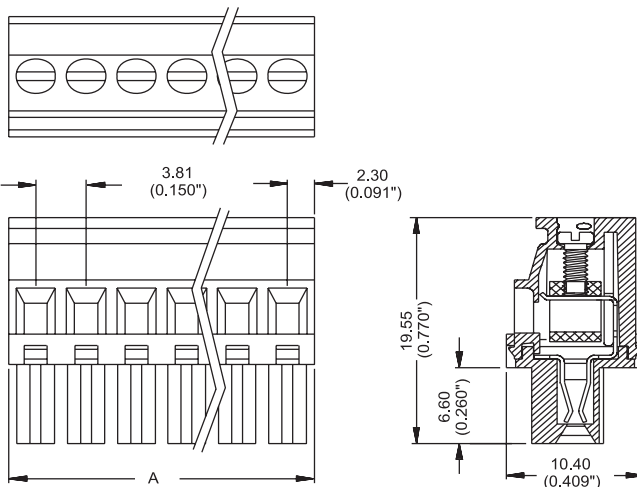
**Construction:** Mold-to-Length

**Agency Information:**  File E62622; CE Certified



EM354309

#### Dimensions - mm (in)



| Poles | L (mm) |
|-------|--------|
| 2     | 8.41   |
| 3     | 12.22  |
| 4     | 16.03  |
| 5     | 19.84  |
| 6     | 23.65  |
| 7     | 27.46  |
| 8     | 31.27  |
| 9     | 35.08  |
| 10    | 38.89  |
| 11    | 42.70  |
| 12    | 46.51  |

To convert to inches, divide by 25.4

## Part Numbering System

Series

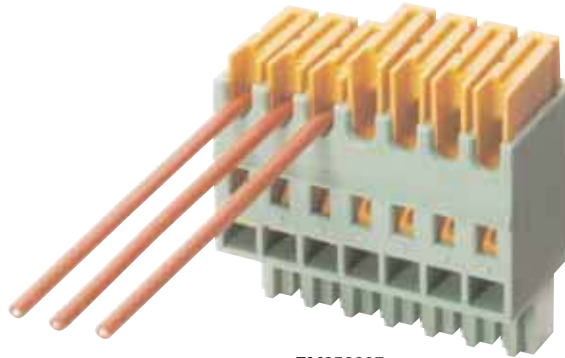
# of Poles

**EM3543**

02 to 12

Mating Header: EM3593 pg. 90

**Series EM3583**  
**Euro-Mag Terminal Blocks**  
 IDC Pluggable Block  
 (Mates with EM3593 Series); 3.81 Centers

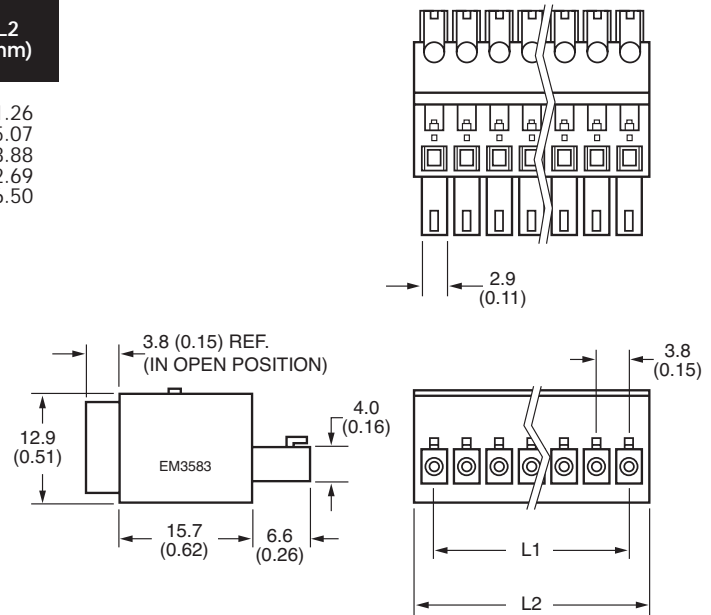


EM358307

- SPECIFICATIONS**  
 Ratings: 6A, 160V  
 Center Spacing: 0.15" (3.81mm)  
 Wire Range: #22-20 AWG  
 Housing Material: UL rated 94V0 Thermoplastic  
 Contact Material: Brass, Tin-Plated  
 Operating Temperature: 105°C (221°F) max., -49°C (-40°F) min.  
 Construction: Mold-to-length.  
 Agency Information: File E62622; CE Certified

| Poles | L1 (mm) | L2 (mm) | Poles | L1 (mm) | L2 (mm) |
|-------|---------|---------|-------|---------|---------|
| 02    | 3.81    | 8.40    | 08    | 26.67   | 31.26   |
| 03    | 7.62    | 12.21   | 09    | 30.48   | 35.07   |
| 04    | 11.43   | 16.02   | 10    | 34.29   | 38.88   |
| 05    | 15.24   | 19.83   | 11    | 38.10   | 42.69   |
| 06    | 19.05   | 23.64   | 12    | 41.91   | 46.50   |
| 07    | 22.86   | 27.45   |       |         |         |

Dimensions - mm (in)



**Part Numbering System**

Inches (Millimeters)

Series: **EM3583** # of Positions:    
 02 to 12

Mating Header: EM3593 pg. 90

# EuroMag Series PCB Mount Pluggable Terminal Blocks

## Series EM3593

### Euro-Mag Terminal Blocks

Header (Mates with EM3553 Series); 3.81 Centers

#### SPECIFICATIONS

Ratings: 6A, 160V

Center Spacing: 0.15" (3.81mm)

Housing Material: UL rated 94V0 Thermoplastic

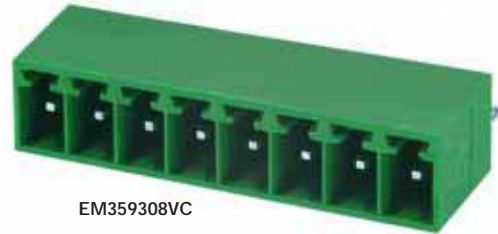
Contact Material: Brass, Tin-Plated

Operating Temperature: 105°C (221°F) max., -40°C (-40°F) min.

Recommended PCB Hole Diameters: 0.51" (1.30mm)

Construction: Mold-to-length.

Agency Information:  File E62622; CE Certified

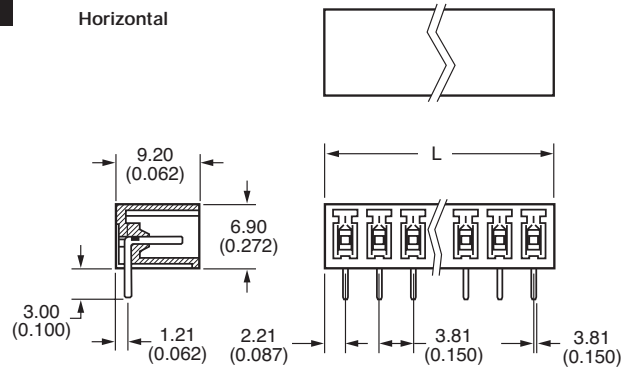


| Poles | L (mm) | Poles | L (mm) |
|-------|--------|-------|--------|
| 02    |        | 08    | 31.09  |
| 03    | 8.23   | 09    | 34.90  |
| 04    | 12.04  | 10    | 38.71  |
| 05    | 15.85  | 11    | 42.52  |
| 06    | 19.66  | 12    | 46.33  |
| 07    | 23.47  |       |        |
|       | 27.28  |       |        |

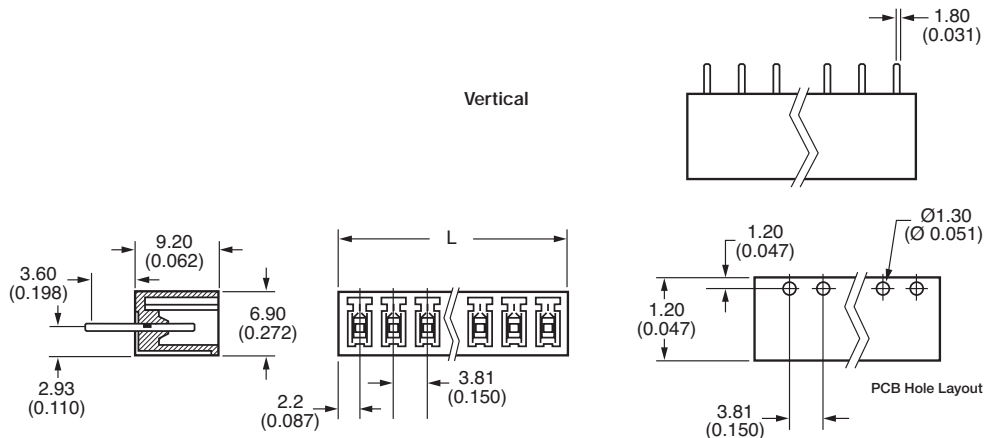
\* Dimensions in inches. To convert to millimeters, multiply by 25.4.

#### Dimensions - mm (in)

Horizontal



Vertical



PCB Hole Layout

## Part Numbering System

Inches (Millimeters)

Series



# of Positions



02 to 12

Orientation



H - Horizontal  
V - Vertical

Side Base



C - Closed

Mating Plugs: EM3553 pg. 87  
EM3543 pg. 88  
EM3583 pg. 89



**EM2423 Series**

**Euro-Mag Terminal Blocks**

Pluggable Block with Flanges (Mates with EM2211 Series); 3.81 Centers



EM242307

**SPECIFICATIONS**

**Rating:** 8A, 300V

**Center Spacing:** 0.15" (3.81mm)

**Wire Range:** #16-26 AWG

**Housing Material:** UL rated 94V0 Thermoplastic

**Contact Material:** Brass Tin-Plated

**Cage Clamp:** Brass, Nickel-Plated

**Screw Size:** M2.0 Nickel-Plated Steel

**Operating Temperature:** 105°C (221°F) max., -40°C (-40°F) min.

**Torque Rating:** 2.5 lb-in.

**Construction:** Mold-to-Length

**Agency Information:**  US File E62622; CE Certified

**Dimensions - mm (in)**



| Poles | L (mm) |
|-------|--------|
| 2     | 17.91  |
| 3     | 21.72  |
| 4     | 25.53  |
| 5     | 29.34  |
| 6     | 33.15  |
| 7     | 36.96  |
| 8     | 40.77  |
| 9     | 44.58  |
| 10    | 48.39  |
| 11    | 52.20  |
| 12    | 56.01  |

To convert to inches, divide by 25.4

**Part Numbering System**

Series

# of Poles

**EM2423**

02 to 12

Mating Header: EM2211 pg. 93

# EuroMag Series PCB Mount Pluggable Terminal Blocks

## EM2443 Series

### Euro-Mag Terminal Blocks

Pluggable Block with Flanges (Mates with EM2211 Series); 3.81 Centers

#### SPECIFICATIONS

**Rating:** 10A, 300V

**Center Spacing:** 0.15" (3.81mm)

Consult factory for 0.30" (7.62mm)

**Wire Range:** #16-24 AWG

**Housing Material:** UL rated 94V0 Thermoplastic

**Contact Material:** Brass Tin-Plated

**Cage Clamp:** Brass, Nickel-Plated

**Screw Size:** M2.0 Nickel-Plated Steel

**Operating Temperature:** 105°C (221°F) max., -40°C (-40°F) min.

**Torque Rating:** 2.5 lb-in.

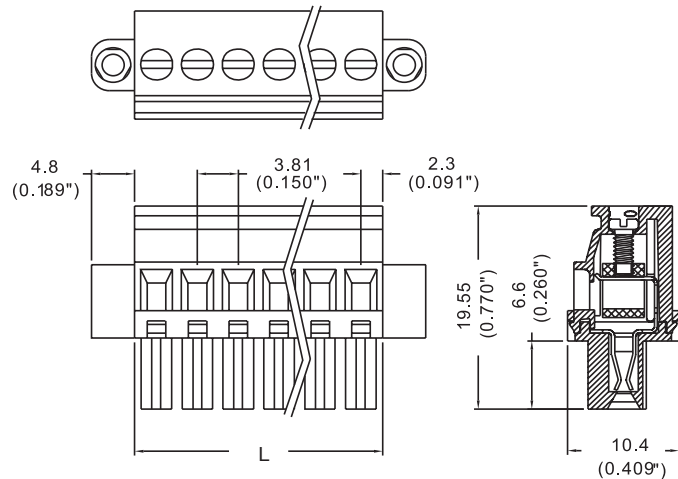
**Construction:** Mold-to-Length

**Agency Information:**  File E62622; CE Certified



EM2443

#### Dimensions - mm (in)



| Poles | L (mm) |
|-------|--------|
| 2     | 7.90   |
| 3     | 11.71  |
| 4     | 15.52  |
| 5     | 19.33  |
| 6     | 23.14  |
| 7     | 26.95  |
| 8     | 30.76  |
| 9     | 34.57  |
| 10    | 38.38  |
| 11    | 42.19  |
| 12    | 46.00  |

To convert to inches, divide by 25.4

## Part Numbering System

Series

# of Poles

**EM2443**

02 to 12

Mating Header: EM2211 pg. 93

## EM2211 Series

### Euro-Mag Terminal Blocks

Header with Flanges (Mates with EM2423, EM2443 Series); 3.81 Centers

#### SPECIFICATIONS

**Rating:** 8A, 300V

**Center Spacing:** 0.15" (3.81mm)

Consult factory for 0.30" (7.62mm)

**Housing Material:** UL rated 94V0 Thermoplastic

**Contact Material:** Brass Tin-Plated

**Operating Temperature:** 105°C (221°F) max., -40°C (-40°F) min.

**Recommended PCB Hole Diameters:** 0.055" (1.40mm)

**Construction:** Mold to Length

**Agency Information:** eUS File E62622; CE Certified



EM221106H



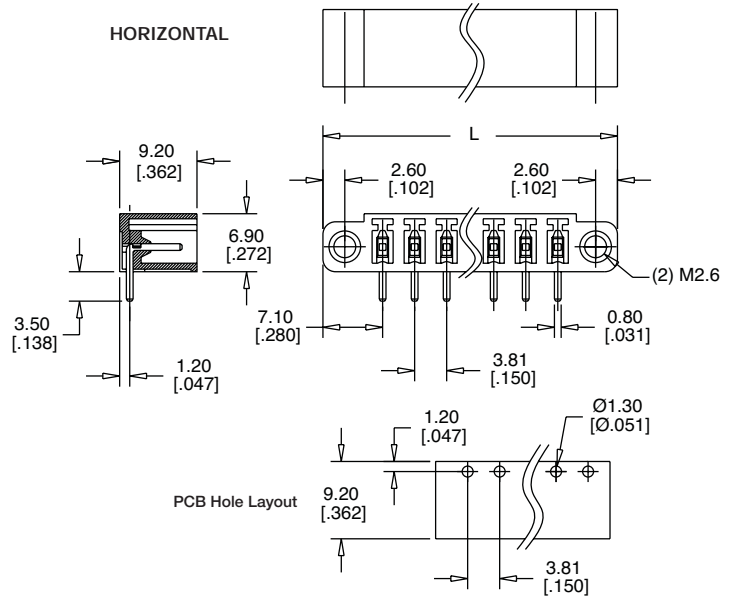
EM221109V

| Poles | L (mm) |
|-------|--------|
| 2     | 18.02  |
| 3     | 21.83  |
| 4     | 25.64  |
| 5     | 29.45  |
| 6     | 33.26  |
| 7     | 37.07  |
| 8     | 40.88  |
| 9     | 44.69  |
| 10    | 48.50  |
| 11    | 52.31  |
| 12    | 56.12  |
| 14    | 63.74  |

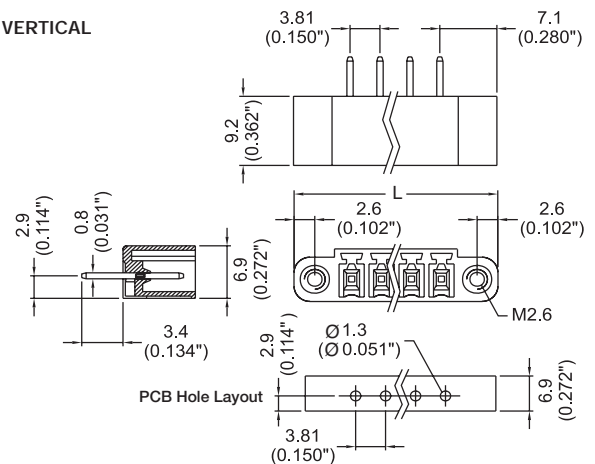
To convert to inches, divide by 25.4

#### Dimensions - mm (in)

##### HORIZONTAL



##### VERTICAL



### Part Numbering System

| Series | # of Poles  | Orientation                    |
|--------|---|--------------------------------|
| EM2211 | <input type="checkbox"/> <input type="checkbox"/> | <input type="checkbox"/>       |
|        | 02 to 14  | H - horizontal<br>V - vertical |

**Mating Plugs:** EM2423 pg. 91  
EM2443 pg. 92

# EuroMag Series PCB Mount Pluggable Terminal Blocks

## EM2525 Series

### Euro-Mag Terminal Blocks

Pluggable Block (Mates with EM2535 Series); 5.00 Centers

#### SPECIFICATIONS

**Rating:** 16A, 300V

**Center Spacing:** 0.197" (5.00mm)

Consult factory for 0.394" (10.00mm)

**Wire Range:** #12-26 AWG

**Housing Material:** UL rated 94V0 Thermoplastic

**Contact Material:** Brass Tin-Plated

**Screw Size:** M3x5 Zinc-Plated Steel

**Operating Temperature:** 105°C (221°F) max., -40°C (-40°F) min.

**Torque Rating:** 7 lb-in.

**Construction:** Mold-to-Length

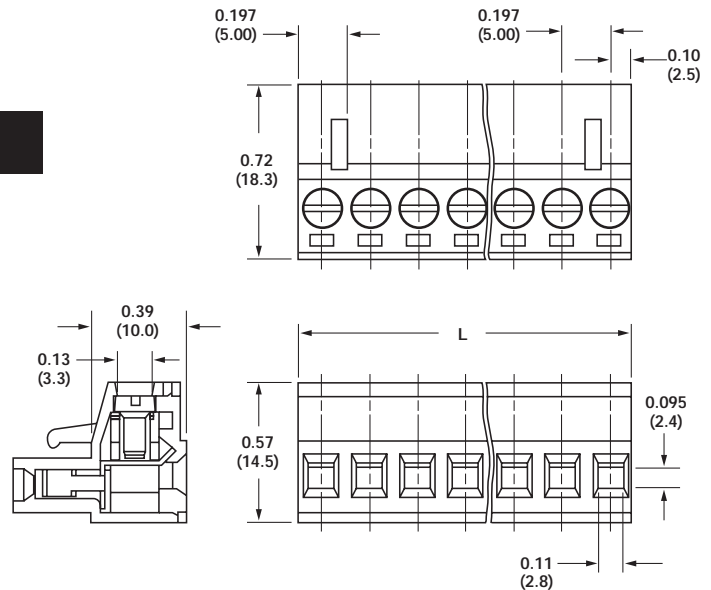
**Connector Style:** Rising Cage Clamp

**Agency Information:**  File E62622; CE Certified



EM252503

#### Dimensions - mm (in)



| Poles | L (mm) | Poles | L (mm) |
|-------|--------|-------|--------|
| 02    | 10.0   | 14    | 70.0   |
| 03    | 15.0   | 15    | 75.0   |
| 04    | 20.0   | 16    | 80.0   |
| 05    | 25.0   | 17    | 85.0   |
| 06    | 30.0   | 18    | 90.0   |
| 07    | 35.0   | 19    | 95.0   |
| 08    | 40.0   | 20    | 100.0  |
| 09    | 45.0   | 21    | 105.0  |
| 10    | 50.0   | 22    | 110.0  |
| 11    | 55.0   | 23    | 115.0  |
| 12    | 60.0   | 24    | 120.0  |
| 13    | 65.0   |       |        |

To convert to inches, divide by 25.4

## Part Numbering System

Series


# of Positions

**EM2525**

02 to 24

Mating Header: EM2535 pg. 97

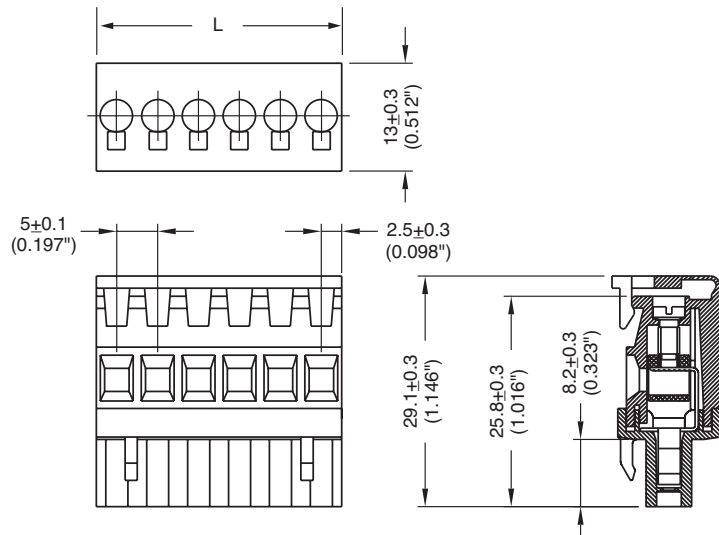
**EM2485 Series**  
**Euro-Mag Terminal Blocks**  
 Pluggable Block with Cover  
 (Mates with EM2535 Series); 5.00 Centers

- SPECIFICATIONS**  
**Rating:** 16A, 300V  
**Center Spacing:** 0.197" (5.00mm)  
**Wire Range:** #14-24 AWG  
**Housing Material:** UL rated 94V0 Thermoplastic  
**Contact Material:** Tin-Plated Phos Bronze  
**Cage Clamp:** Brass, Nickel-Plated  
**Screw Size:** M2.6 Nickel-Plated Steel  
**Operating Temperature:** 105°C (221°F) max., -40°C (-40°F) min.  
**Torque Rating:** 4.5 lb-in.  
**Construction:** Mold-to-Length  
**Agency Information:**  US File E62622; CE Certified



EM248506

**Dimensions - mm (in)**



| Poles | L (mm) |
|-------|--------|
| 2     | 10.0   |
| 3     | 15.0   |
| 4     | 20.0   |
| 5     | 25.0   |
| 6     | 30.0   |
| 7     | 35.0   |
| 8     | 40.0   |

To convert to inches, divide by 25.4

**Part Numbering System**

Series                      # of Poles  
   
 02 - 08

Mating Header: EM2535 pg. 97

# EuroMag Series PCB Mount Pluggable Terminal Blocks

## EM3105 Series

### Euro-Mag Terminal Blocks

Pluggable Block; Top Entry  
(Mates with EM2535 Series); 5.00 Centers

#### SPECIFICATIONS

**Rating:** 16A, 300V

**Center Spacing:** 0.197" (5.00mm)

**Wire Range:** #14-24 AWG

**Housing Material:** UL rated 94V0 Thermoplastic

**Contact Material:** Tin-Plated Phos Bronze

**Cage Clamp:** Brass, Nickel-Plated

**Screw Size:** M2.6 Nickel-Plated Steel

**Operating Temperature:** 105°C (221°F) max., -40°C (-40°F) min.

**Torque Rating:** 4.5 lb-in.

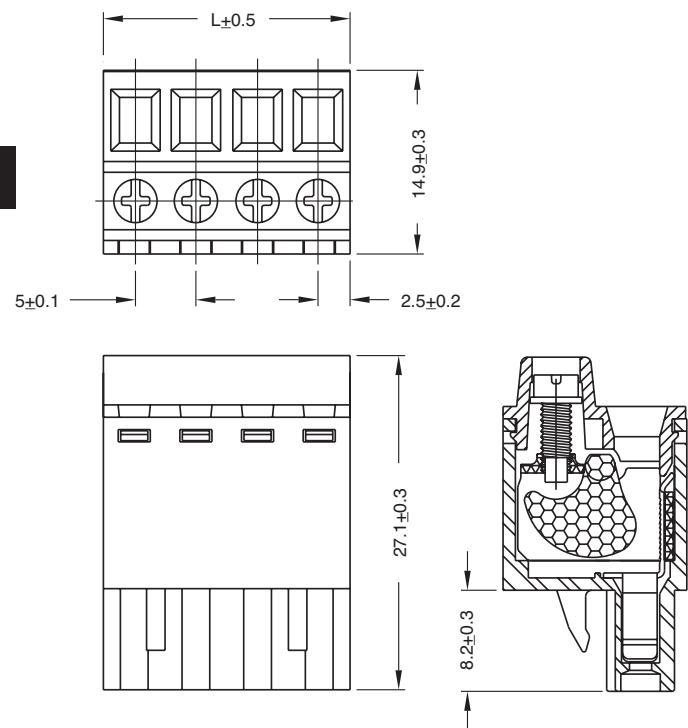
**Construction:** Mold-to-Length

**Agency Information:**  File E62622; CE Certified



EM310508

#### Dimensions - mm (in)



| Poles | L (mm) | Poles | L (mm) |
|-------|--------|-------|--------|
| 2     | 10.0   | 8     | 40.0   |
| 3     | 15.0   | 9     | 45.0   |
| 4     | 20.0   | 10    | 50.0   |
| 5     | 25.0   | 11    | 55.0   |
| 6     | 30.0   | 12    | 60.0   |
| 7     | 35.0   |       |        |

To convert to inches, divide by 25.4

## Part Numbering System

Series

# of Poles

**EM3105**

02 to 12

**Mating Plugs:** EM2525 pg. 94  
EM2485 pg. 95  
EM3105 pg. 96

## EM2535 Series

### Euro-Mag Terminal Blocks

Header (Mates with EM2525, EM2485 & EM3105 Series); 5.00 Centers

#### SPECIFICATIONS

**Rating:** 16A, 300V

**Center Spacing:** 0.197" (5.00mm)

Consult factory for 0.394" (10.00mm)

**Housing Material:** UL rated 94V0 Thermoplastic

**Contact Material:** Brass Tin-Plated

**Operating Temperature:** 105°C (221°F) max., -40°C (-40°F) min.

**Recommended PCB Hole Diameters:** 0.055" (1.40mm)

**Construction:** Mold-to-Length

**Agency Information:** File E62622; CE Certified

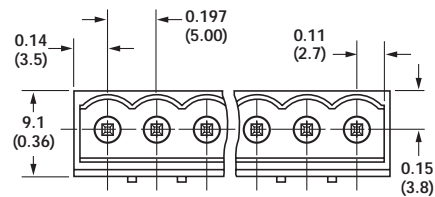
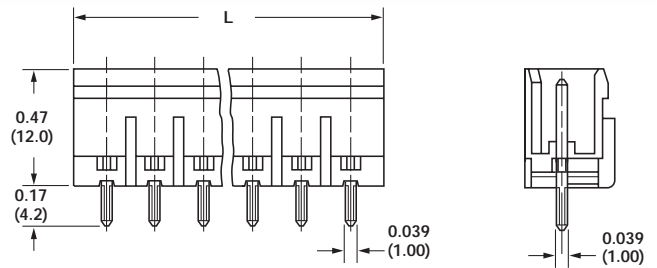


EM253505VC

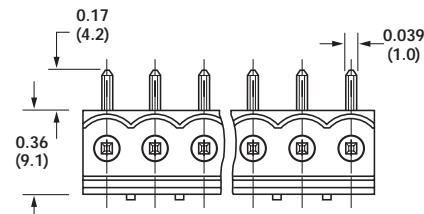
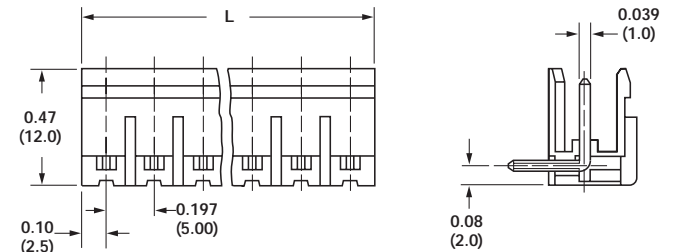
EM253508HO

#### Dimensions - mm (in)

##### VERTICAL - CLOSED



##### HORIZONTAL - OPEN



| Position | Open L (mm) | Closed L (mm) | Position | Open L (mm) | Closed L (mm) |
|----------|-------------|---------------|----------|-------------|---------------|
| 02       | 10.0        | 12.0          | 14       | 70.0        | 72.0          |
| 03       | 15.0        | 17.0          | 15       | 75.0        | 77.0          |
| 04       | 20.0        | 22.0          | 16       | 80.0        | 82.0          |
| 05       | 25.0        | 27.0          | 17       | 85.0        | 87.0          |
| 06       | 30.0        | 32.0          | 18       | 90.0        | 92.0          |
| 07       | 35.0        | 37.0          | 19       | 95.0        | 97.0          |
| 08       | 40.0        | 42.0          | 20       | 100.0       | 102.0         |
| 09       | 45.0        | 47.0          | 21       | 105.0       | 107.0         |
| 10       | 50.0        | 52.0          | 22       | 110.0       | 112.0         |
| 11       | 55.0        | 57.0          | 23       | 115.0       | 117.0         |
| 12       | 60.0        | 62.0          | 24       | 120.0       | 122.0         |
| 13       | 65.0        | 67.0          |          |             |               |

To convert to inches, divide by 25.4

## Part Numbering System

Series



# of Positions



02 to 24

Orientations



H - horizontal  
V - vertical

Side Base



O - open  
C - closed

Mating Plugs: EM2525 pg. 94  
EM2485 pg. 95  
EM3105 pg. 96

# EuroMag Series PCB Mount Pluggable Terminal Blocks

## EM2565 Series

### Euro-Mag Terminal Blocks

Pluggable Block (Mates with EM2575 Series); 5.08 Centers

#### SPECIFICATIONS

Rating: 16A, 300V

Center Spacing: 0.20" (5.08mm)

Consult factory for 0.40" (10.16mm)

Wire Range: #12-26 AWG

Housing Material: UL rated 94V0 Thermoplastic

Contact Material: Brass Tin-Plated

Screw Size: M3x5 Zinc-Plated Steel

Operating Temperature: 105°C (221°F) max., -40°C (-40°F) min.

Torque Rating: 7 lb-in.

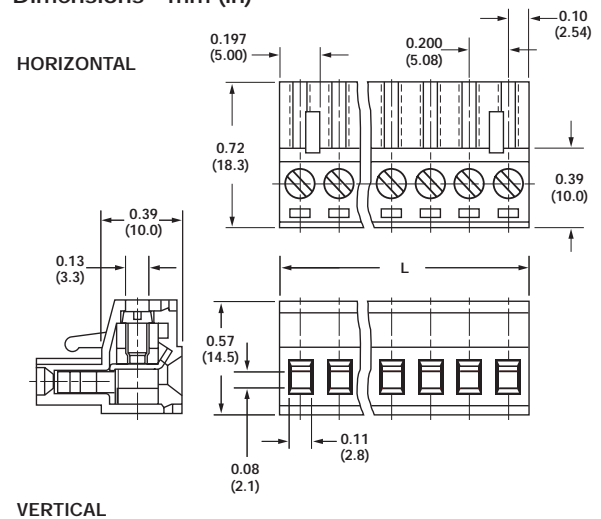
Construction: Mold-to-Length

Agency Information:  File E62622; CE Certified



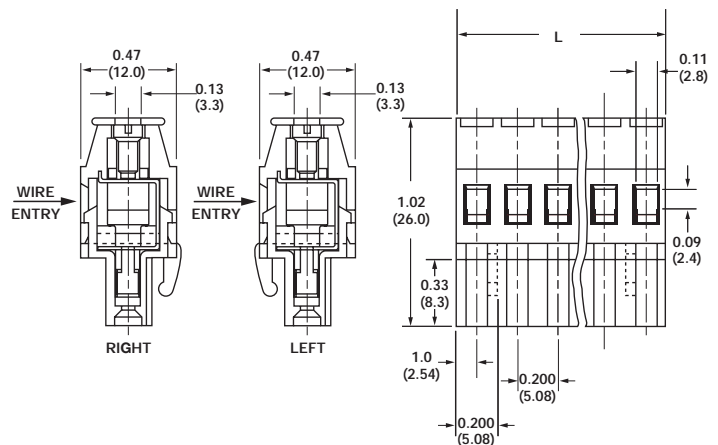
EM25603VR

#### Dimensions - mm (in)



| Position | L (mm) | Position | L (mm) |
|----------|--------|----------|--------|
| 02       | 10.16  | 14       | 71.12  |
| 03       | 15.24  | 15       | 76.20  |
| 04       | 20.32  | 16       | 81.28  |
| 05       | 25.40  | 17       | 86.36  |
| 06       | 30.48  | 18       | 91.44  |
| 07       | 35.56  | 19       | 96.52  |
| 08       | 40.64  | 20       | 101.60 |
| 09       | 45.72  | 21       | 106.68 |
| 10       | 50.80  | 22       | 111.76 |
| 11       | 55.88  | 23       | 116.84 |
| 12       | 60.96  | 24       | 121.92 |
| 13       | 66.04  |          |        |

To convert to inches, divide by 25.4



## Part Numbering System

| Series        | # of Positions           | Orientation                    | Wire Entry (Vertical Orientation Only) | Mating Header: EM2575 pg. 101 |
|---------------|--------------------------|--------------------------------|--|-------------------------------|
| <b>EM2565</b> | <input type="checkbox"/> | <input type="checkbox"/>       | <input type="checkbox"/>               |                               |
|               | 02 to 24                 | H - horizontal<br>V - vertical | L - left<br>R - right                  |                               |



**EM2488 Series**

**Euro-Mag Terminal Blocks**

Pluggable Block (Mates with EM2575 Series); 5.08 Centers with Cover

**SPECIFICATIONS**

**Rating:** 16A, 300V

**Center Spacing:** 0.20" (5.08mm)

**Wire Range:** #14-24 AWG

**Housing Material:** UL rated 94V0 Thermoplastic

**Contact Material:** Brass Tin-Plated

**Cage Clamp:** Brass, Nickel-Plated

**Screw Size:** M2.6 Nickel-Plated Steel

**Operating Temperature:** 105°C (221°F) max., -40°C (-40°F) min.

**Torque Rating:** 4.5 lb-in.

**Construction:** Mold-to-Length

**Agency Information:**  File E62622; CE Certified

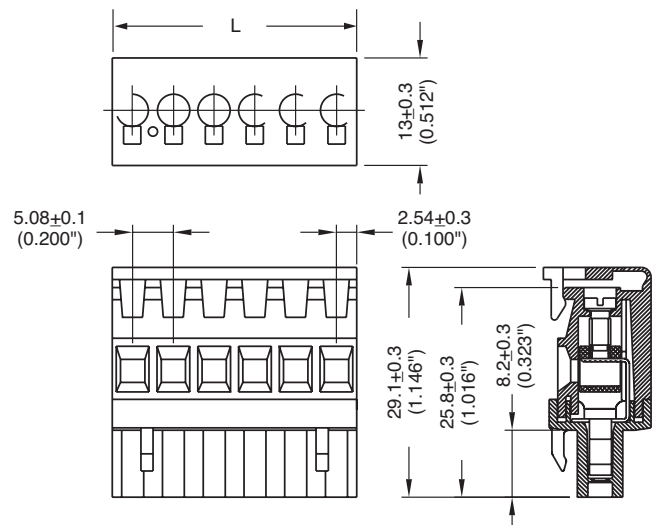


EM248806

| Poles | L (mm) |
|-------|--------|
| 2     | 10.16  |
| 3     | 15.24  |
| 4     | 20.32  |
| 5     | 25.40  |
| 6     | 30.48  |
| 7     | 35.56  |
| 8     | 40.64  |

To convert to inches, divide by 25.4

**Dimensions - mm (in)**



**Part Numbering System**

Series

# of Poles

**EM2488**

02 to 08

Mating Header: EM2575 pg. 101

# EuroMag Series PCB Mount Pluggable Terminal Blocks

## EM3108 Series

### Euro-Mag Terminal Blocks

Pluggable Block; Front Entry (Mates with EM2575 Series); 5.08 Centers

#### SPECIFICATIONS

**Rating:** 16A, 300V

**Center Spacing:** 0.20" (5.08mm)

**Wire Range:** #14-24 AWG

**Housing Material:** UL rated 94V0 Thermoplastic

**Contact Material:** Brass Tin-Plated

**Cage Clamp:** Brass, Nickel-Plated

**Screw Size:** M2.6 Nickel-Plated Steel

**Operating Temperature:** 105°C (221°F) max., -40°C (-40°F) min.

**Torque Rating:** 4.5 lb-in.

**Construction:** Mold-to-Length

**Agency Information:**  File E62622; CE Certified

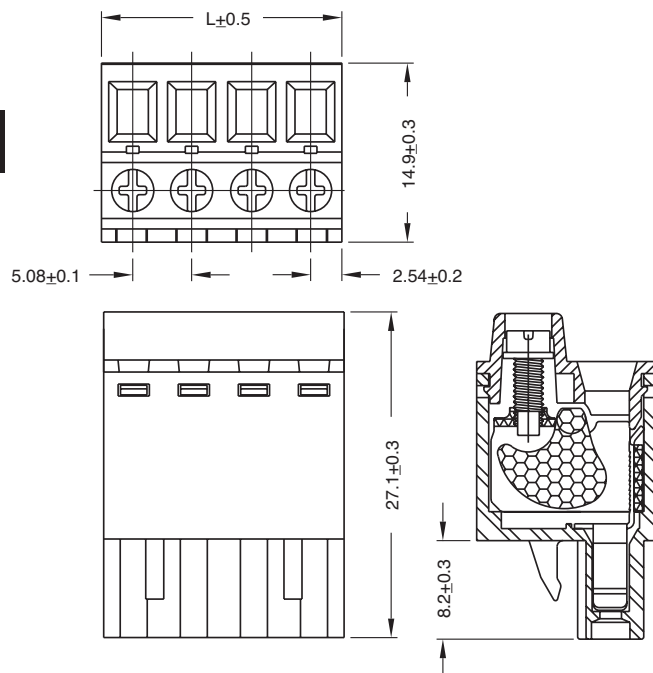


EM310808

| Poles | L (mm) | Poles | L (mm) |
|-------|--------|-------|--------|
| 2     | 10.16  | 14    | 71.12  |
| 3     | 15.24  | 15    | 76.20  |
| 4     | 20.32  | 16    | 81.28  |
| 5     | 25.40  | 17    | 86.36  |
| 6     | 30.48  | 18    | 91.44  |
| 7     | 35.45  | 19    | 96.52  |
| 8     | 40.64  | 20    | 101.60 |
| 9     | 45.72  | 21    | 106.68 |
| 10    | 50.80  | 22    | 111.76 |
| 11    | 55.88  | 23    | 116.84 |
| 12    | 60.96  | 24    | 121.92 |
| 13    | 66.04  |       |        |

To convert to inches, divide by 25.4

#### Dimensions - mm (in)



## Part Numbering System

Series

# of Poles

EM3108

□ □

02 to 24

Mating Header: EM2575 pg. 101

## EM2575 Series

### Euro-Mag Terminal Blocks

Header (Mates with EM2565, EM2488, EM3108 Series); 5.08 Centers

#### SPECIFICATIONS

Rating: 16A, 300V

Center Spacing: 0.20" (5.08mm)

Consult factory for 0.40" (10.16mm)

Housing Material: UL rated 94V0 Thermoplastic

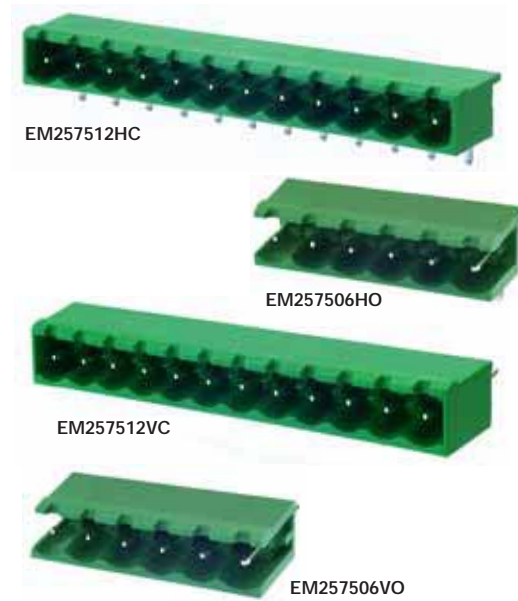
Contact Material: Brass Tin-Plated

Operating Temperature: 105°C (221°F) max., -40°C (-40°F) min.

Recommended PCB Hole Diameters: 0.055" (1.40mm)

Construction: Mold-to-Length

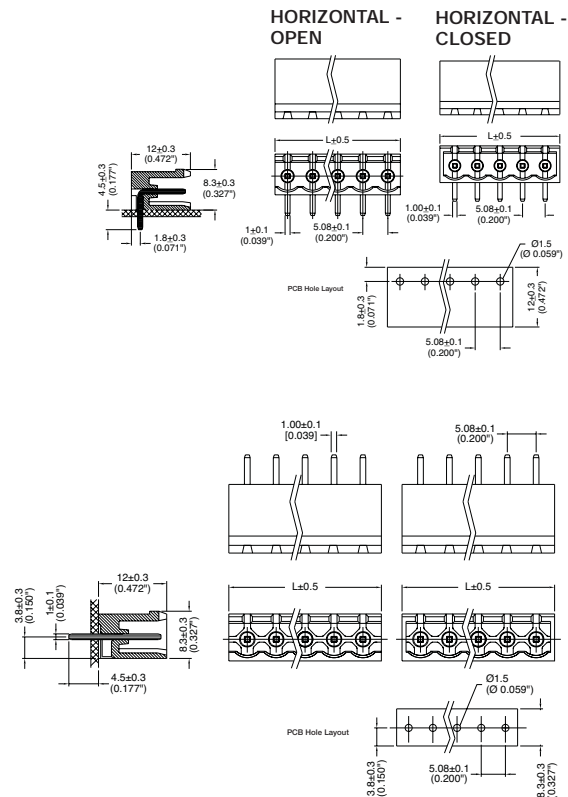
Agency Information: File E62622; CE Certified



| Poles | Open L (mm) | Closed L (mm) | Poles | Open L (mm) | Closed L (mm) |
|-------|-------------|---------------|-------|-------------|---------------|
| 2     | 10.16       | 12.08         | 14    | 71.12       | 73.04         |
| 3     | 15.24       | 17.16         | 15    | 76.20       | 78.12         |
| 4     | 20.32       | 22.24         | 16    | 81.28       | 83.20         |
| 5     | 25.40       | 27.32         | 17    | 86.36       | 88.28         |
| 6     | 30.48       | 32.40         | 18    | 91.44       | 93.36         |
| 7     | 35.56       | 37.48         | 19    | 96.52       | 98.44         |
| 8     | 40.64       | 42.66         | 20    | 101.60      | 103.52        |
| 9     | 45.72       | 47.64         | 21    | 106.68      | 105.60        |
| 10    | 50.80       | 52.72         | 22    | 111.76      | 113.68        |
| 11    | 55.88       | 57.80         | 23    | 116.84      | 118.76        |
| 12    | 60.96       | 62.88         | 24    | 121.92      | 123.84        |
| 13    | 66.04       | 67.96         |       |             |               |

To convert to inches, divide by 25.4

#### Dimensions - mm (in)



## Part Numbering System

| Series        | # of Poles  | Orientation                    | Side Base                |
|---------------|---|--------------------------------|--------------------------|
| <b>EM2575</b> | <input type="checkbox"/> <input type="checkbox"/> | <input type="checkbox"/>       | <input type="checkbox"/> |
|               | 02 to 24  | H - horizontal<br>V - vertical | O - open<br>C - closed   |

Mating Plugs: EM2565 pg. 98  
EM2488 pg. 99  
EM3108 pg. 100

# EuroMag Series PCB Mount Pluggable Terminal Blocks

## Series EM2115 Series

Pluggable Terminal Block with Flanges;  
(Mates with EM2215 Series); 5.00 Centers

### SPECIFICATIONS:

Rating: 16A, 300V

Center Spacing: 0.197" (5.00mm)

Wire Range: #14-24 AWG

Housing Material: UL rated 94V0 Thermoplastic

Contact Material: Tin-Plated Phosphor Bronze

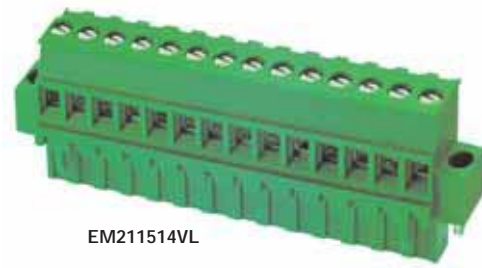
Screw Size: M2x6 Nickel-Plated Steel

Operating Temperature: 105°C (221°F) max., -55°C (-67°F) min.

Torque Rating: 4.5 lb-in.

Construction: Mold-to-Length

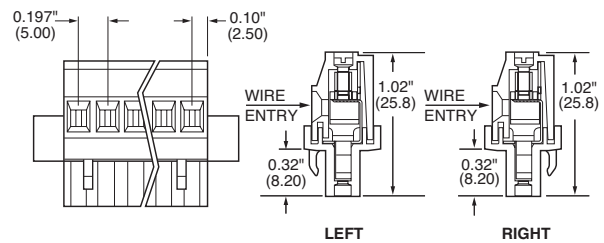
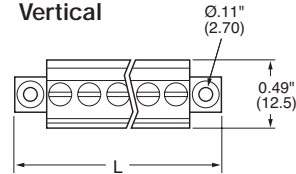
Agency Information:  US File E62622; CE Certified



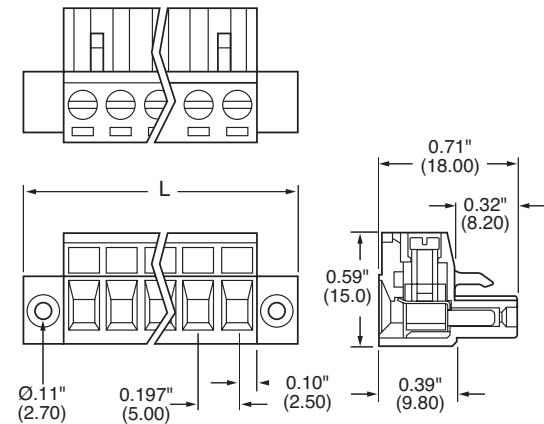
EM211514VL

### Dimensions - mm (in)

#### Vertical



#### Horizontal



| Poles | A (mm) | A (Inch) | Poles | A (mm) | A (Inch) |
|-------|--------|----------|-------|--------|----------|
| 2     | 20.0   | 0.787    | 13    | 75.0   | 2.952    |
| 3     | 25.0   | 0.984    | 14    | 80.0   | 3.149    |
| 4     | 30.0   | 1.181    | 15    | 85.0   | 3.346    |
| 5     | 35.0   | 1.378    | 16    | 90.0   | 3.543    |
| 6     | 40.0   | 1.575    | 17    | 95.0   | 3.740    |
| 7     | 45.0   | 1.772    | 18    | 100.0  | 3.937    |
| 8     | 50.0   | 1.969    | 19    | 105.0  | 4.133    |
| 9     | 55.0   | 2.165    | 20    | 110.0  | 4.330    |
| 10    | 60.0   | 2.362    | 21    | 115.0  | 4.527    |
| 11    | 65.0   | 2.559    | 22    | 120.0  | 4.724    |
| 12    | 70.0   | 2.756    |       |        |          |

## Part Numbering System

Inches (Millimeters)

Series

**EM2115**

# of Poles

02 to 22

Orientation

V - Vertical  
H - Horizontal

Wire Entry

L - Left wire entry  
R - Right wire entry  
(specify for V orientation)

Mating Header: EM2215 pg. 104

**EM3115 Series**

**Euro-Mag Terminal Blocks**

Pluggable Block; Top Entry (Mates with EM2215 Series); 5.00 Centers

**SPECIFICATIONS**

**Rating:** 16A, 300V

**Center Spacing:** 0.197" (5.00mm)

**Wire Range:** #14-24 AWG

**Housing Material:** UL rated 94V0 Thermoplastic

**Contact Material:** Brass Tin-Plated

**Cage Clamp:** Brass, Nickel-Plated

**Screw Size:** M2.6 Nickel-Plated Steel

**Operating Temperature:** 105°C (221°F) max., -40°C (-40°F) min.

**Torque Rating:** 4.5 lb-in.

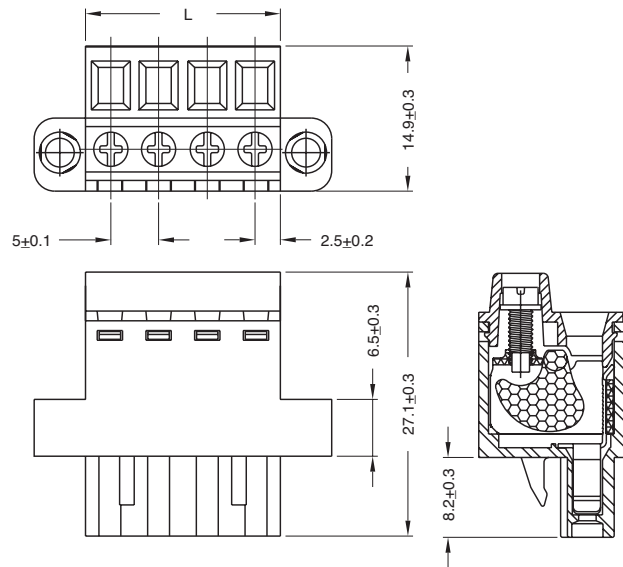
**Construction:** Mold-to-Length

**Agency Information:**  File E62622; CE Certified



EM311503

**Dimensions - mm (in)**



| Poles | L (mm) | Poles | L (mm) |
|-------|--------|-------|--------|
| 2     | 20.0   | 14    | 80.0   |
| 3     | 25.0   | 15    | 85.0   |
| 4     | 30.0   | 16    | 90.0   |
| 5     | 35.0   | 17    | 95.0   |
| 6     | 40.0   | 18    | 100.0  |
| 7     | 45.0   | 19    | 105.0  |
| 8     | 50.0   | 20    | 110.0  |
| 9     | 55.0   | 21    | 115.0  |
| 10    | 60.0   | 22    | 120.0  |
| 11    | 65.0   | 23    | 125.0  |
| 12    | 70.0   | 24    | 130.0  |
| 13    | 75.0   |       |        |

To convert to inches, divide by 25.4

**Part Numbering System**

Series

# of Poles

**EM3115**

02 to 22

Mating Header: EM2215 pg. 104

# EuroMag Series PCB Mount Pluggable Terminal Blocks

## Series EM2215

Header with Flanges; (Mates with EM2115, EM3115 Series); 5.00 Centers

### SPECIFICATIONS:

Rating: 16A, 300V

Center Spacing: 0.197" (5.00mm)

Housing Material: UL rated 94V0 Thermoplastic

Contact Material: Tin-Plated Brass

Operating Temperature: 105°C (221°F) max., -55°C (-67°F) min.

Construction: Mold-to-Length

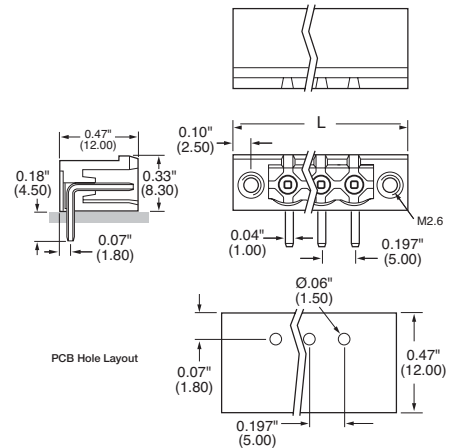
Agency Information:  File E62622; CE Certified



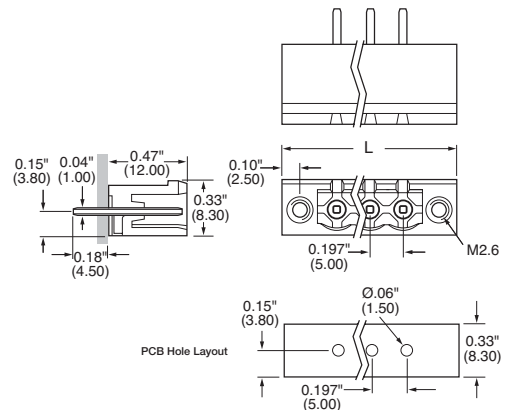
EM221503V

### Dimensions - mm (in)

#### Horizontal



#### Vertical



| Poles | A (mm) | A (Inch) | Poles | A (mm) | A (Inch) |
|-------|--------|----------|-------|--------|----------|
| 2     | 10.0   | 0.393    | 13    | 65.0   | 2.559    |
| 3     | 15.0   | 0.590    | 14    | 75.0   | 2.953    |
| 4     | 20.0   | 0.787    | 15    | 80.0   | 3.150    |
| 5     | 25.0   | 0.984    | 16    | 85.0   | 3.346    |
| 6     | 30.0   | 1.181    | 17    | 90.0   | 3.543    |
| 7     | 35.0   | 1.378    | 18    | 95.0   | 3.740    |
| 8     | 40.0   | 1.575    | 19    | 100.0  | 3.937    |
| 9     | 45.0   | 1.772    | 20    | 105.0  | 4.133    |
| 10    | 50.0   | 1.969    | 21    | 110.0  | 4.331    |
| 11    | 55.0   | 2.165    | 22    | 115.0  | 4.528    |
| 12    | 60.0   | 2.362    |       |        |          |

## Part Numbering System

Inches (Millimeters)

Series

**EM2215**

# of Poles

02 to 22

Orientation

H - Horizontal  
V - Vertical

Mating Plugs: EM2115 pg. 102  
EM3115 pg. 103

**Series EM2118 Series**

Pluggable Terminal Block with Flanges;  
(Mates with EM2218 Series); 5.08 Centers

**SPECIFICATIONS:**

**Rating:** 16A, 300V

**Center Spacing:** 0.20" (5.08mm)

**Wire Range:** #14-24 AWG

**Housing Material:** UL rated 94V0 Thermoplastic

**Contact Material:** Tin-Plated Phosphor Bronze

**Screw Size:** M 3x0 Nickel-Plated Steel

**Operating Temperature:** 105°C (221°F) max., -55°C (-67°F) min.

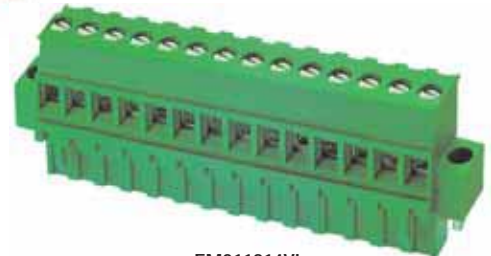
**Torque Rating:** 4.5 lb-in.

**Construction:** Mold-to-Length

**Agency Information:** cULus File E62622; CE Certified



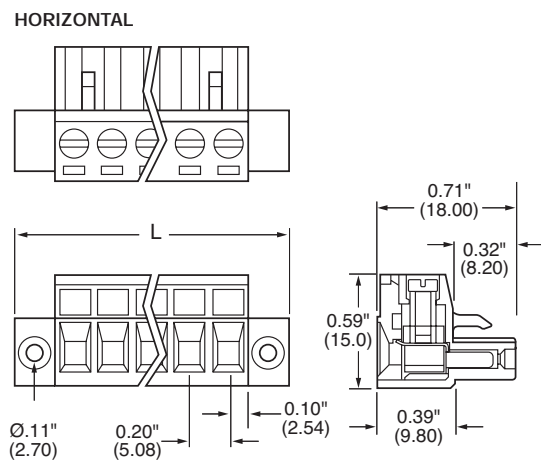
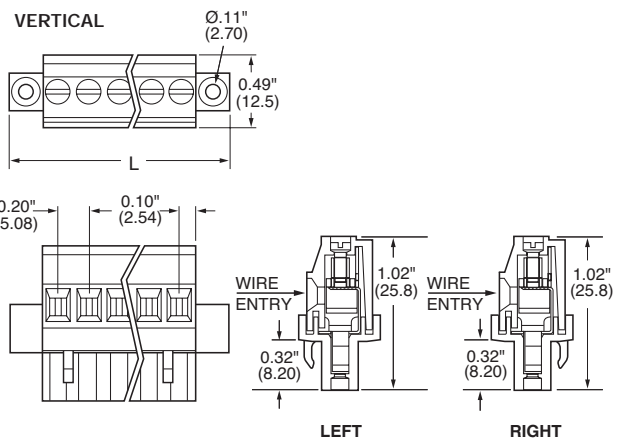
EM211803H



EM211814VL

| Poles | A (mm) | A (Inch) | Poles | A (mm) | A (Inch) |
|-------|--------|----------|-------|--------|----------|
| 2     | 20.32  | 0.8      | 13    | 76.20  | 3.0      |
| 3     | 25.40  | 1.0      | 14    | 81.28  | 3.2      |
| 4     | 30.48  | 1.2      | 15    | 86.36  | 3.4      |
| 5     | 35.56  | 1.4      | 16    | 91.44  | 3.6      |
| 6     | 40.64  | 1.6      | 17    | 96.52  | 3.8      |
| 7     | 45.72  | 1.8      | 18    | 101.60 | 4.0      |
| 8     | 50.80  | 2.0      | 19    | 106.68 | 4.2      |
| 9     | 55.88  | 2.2      | 20    | 111.76 | 4.4      |
| 10    | 60.96  | 2.4      | 21    | 116.84 | 4.6      |
| 11    | 66.04  | 2.6      | 22    | 121.92 | 4.8      |
| 12    | 71.12  | 2.8      |       |        |          |

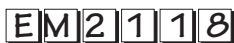
**Dimensions - mm (in)**



**Part Numbering System**

Inches (Millimeters)

Series



# of Positions



02 to 22

Orientation



V - Vertical  
H - Horizontal

Mating Header: EM2218 pg. 107

# EuroMag Series PCB Mount Pluggable Terminal Blocks

## EM3118 Series

### Euro-Mag Terminal Blocks

Pluggable Block, Top Entry (Mates with EM2218 Series); 5.08 Centers

#### SPECIFICATIONS

**Rating:** 16A, 300V

**Center Spacing:** 0.20" (5.08mm)

**Wire Range:** #14-24 AWG

**Housing Material:** UL rated 94V0 Thermoplastic

**Contact Material:** Brass Tin-Plated

**Cage Clamp:** Brass, Nickel-Plated

**Screw Size:** M2.6 Nickel-Plated Steel

**Operating Temperature:** 105°C (221°F) max., -40°C (-40°F) min.

**Torque Rating:** 4.5 lb-in.

**Construction:** Mold-to-Length

**Agency Information:**  US File E62622; CE Certified

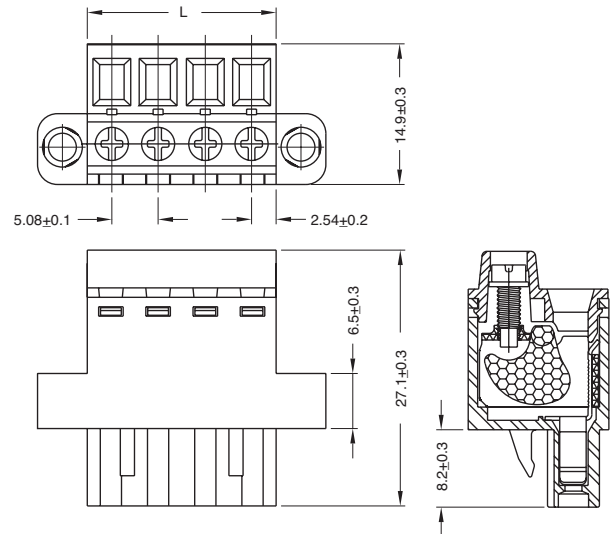


EM311803

| Poles | L (mm) | Poles | L (mm) |
|-------|--------|-------|--------|
| 2     | 20.32  | 13    | 76.20  |
| 3     | 25.40  | 14    | 81.28  |
| 4     | 30.48  | 15    | 86.36  |
| 5     | 35.45  | 16    | 91.44  |
| 6     | 40.64  | 17    | 96.52  |
| 7     | 45.72  | 18    | 101.60 |
| 8     | 50.80  | 19    | 106.68 |
| 9     | 55.88  | 20    | 111.76 |
| 10    | 60.96  | 21    | 116.84 |
| 11    | 66.04  | 22    | 121.92 |
| 12    | 71.12  |       |        |

To convert to inches, divide by 25.4

#### Dimensions - mm (in)



## Part Numbering System

Series

# of Poles

EM3118

□□

02 to 22

Mating Header: EM2218 pg. 107



**Series EM2218**

Header with Flanges; (Mates with EM2118, EM3118 Series); 5.08 Centers

**SPECIFICATIONS:**

Rating: 12A, 300V

Center Spacing: 0.20" (5.08mm)

Housing Material: UL rated 94V0 Thermoplastic

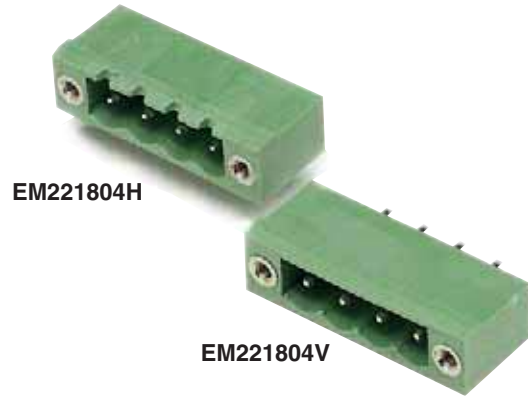
Contact Material: Tin-Plated Brass

Operating Temperature: 105°C (221°F) max., -55°C (-67°F) min.

Recommended PCB Hole Diameters: 0.059" (1.50mm)

Construction: Mold-to-Length

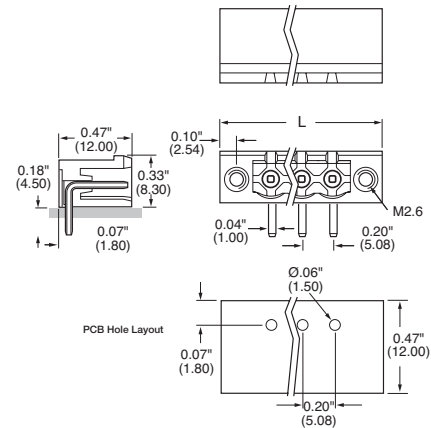
Agency Information: cULus File E62622; CE Certified



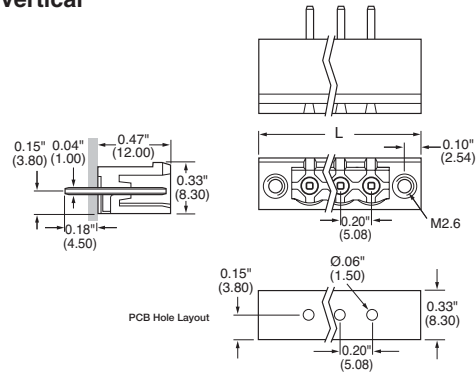
**Dimensions - mm (in)**

**Horizontal**

| Poles | L (mm) | L (Inch) | Poles | L (mm) | L (Inch) |
|-------|--------|----------|-------|--------|----------|
| 2     | 20.32  | 0.8      | 12    | 71.12  | 2.8      |
| 3     | 25.40  | 1.0      | 13    | 76.20  | 3.0      |
| 4     | 30.48  | 1.2      | 14    | 81.28  | 3.2      |
| 5     | 35.56  | 1.4      | 15    | 86.36  | 3.4      |
| 6     | 40.64  | 1.6      | 16    | 91.44  | 3.6      |
| 7     | 45.72  | 1.8      | 17    | 96.52  | 3.8      |
| 8     | 50.80  | 2.0      | 18    | 101.60 | 4.0      |
| 9     | 55.88  | 2.2      | 19    | 106.68 | 4.2      |
| 10    | 60.95  | 2.4      | 20    | 111.76 | 4.4      |
| 11    | 66.04  | 2.6      |       |        |          |



**Vertical**



**Part Numbering System**

Inches (Millimeters)

Series



# of Poles



02 to 22

Orientation



H - Horizontal  
V - Vertical

Mating Plugs: EM2118 pg. 105  
EM3118 pg. 106

# EuroMag Series PCB Mount Pluggable Terminal Blocks

## EM3516 Series

### Euro-Mag Terminal Blocks

Pluggable Block (Mates with EM3526 Series);  
7.62 Centers

#### SPECIFICATIONS

**Rating:** 16A, 300V

**Center Spacing:** 0.30" (7.62mm)

**Wire Range:** #14-24 AWG

**Housing Material:** UL rated 94V0 Thermoplastic

**Contact Material:** Tin-Plated Brass

**Cage Clamp:** Brass, Nickel-Plated

**Screw Size:** M3.0 Zinc-Plated Steel

**Operating Temperature:** 105°C (221°F) max., -40°C (-40°F) min.

**Torque Rating:** 5.0 lb-in.

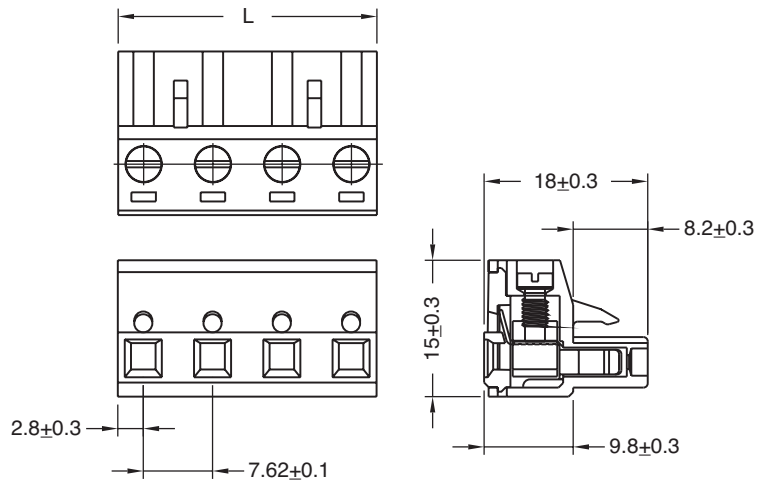
**Construction:** Mold-to-Length

**Agency Information:**  File E62622; CE Certified



EM351603

#### Dimensions - mm (in)



| Poles | L (mm) |
|-------|--------|
| 2     | 8.41   |
| 3     | 12.22  |
| 4     | 16.03  |
| 5     | 19.84  |
| 6     | 23.65  |
| 7     | 27.46  |
| 8     | 31.27  |
| 9     | 35.08  |
| 10    | 38.89  |
| 11    | 42.70  |
| 12    | 46.51  |

To convert to inches, divide by 25.4

## Part Numbering System

Series

# of Poles

Mating Header: EM3526 pg. 109


**EM3516**

02 to 12

**EM3526 Series**  
**Euro-Mag Terminal Blocks**

Closed and Open Header (Mates with EM3516 Series); 7.62 Centers

**SPECIFICATIONS**

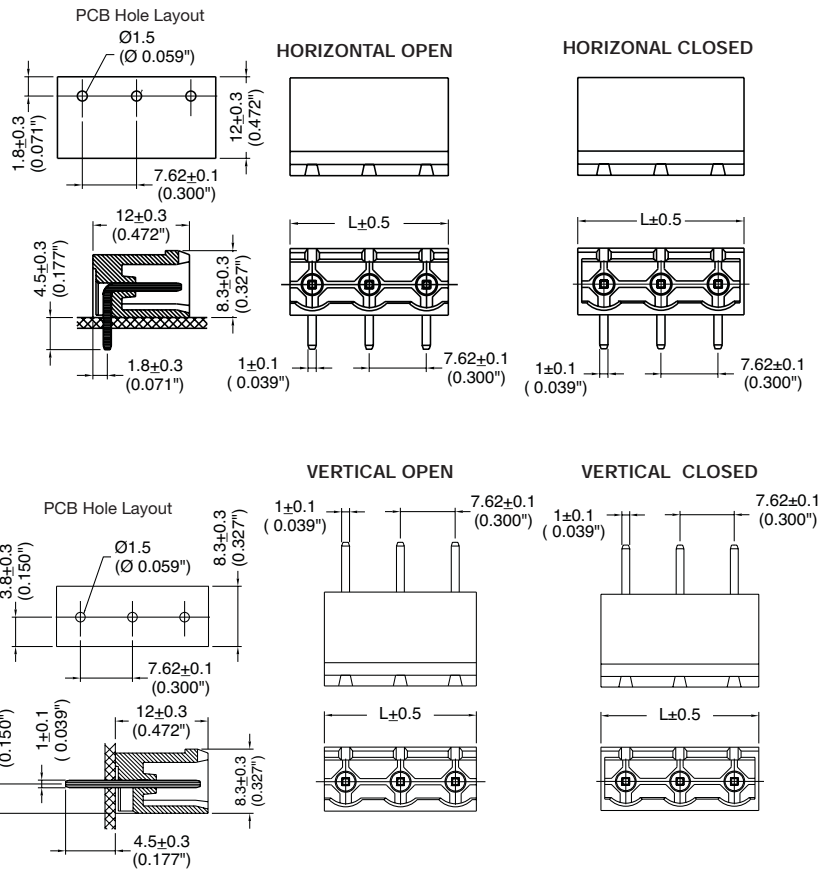
- Rating: 16A, 300V
- Center Spacing: 0.30" (7.62mm)
- Housing Material: UL rated 94V0 Thermoplastic
- Contact Material: Brass Tin-Plated
- Operating Temperature: 105°C (221°F) max., -40°C (-40°F) min.
- Recommended PCB Hole Diameters: 0.055" (1.40mm)
- Construction: Mold-to-Length
- Agency Information:  File E62622; CE Certified



**Dimensions - mm (in)**

| Poles | Open L (mm) | Closed L (mm) |
|-------|-------------|---------------|
| 2     | 13.44       | 15.24         |
| 3     | 21.06       | 22.86         |
| 4     | 28.68       | 30.48         |
| 5     | 36.60       | 38.10         |
| 6     | 43.92       | 45.72         |
| 7     | 51.54       | 53.34         |
| 8     | 59.16       | 60.96         |
| 9     | 66.78       | 68.58         |
| 10    | 74.40       | 76.20         |
| 11    | 82.02       | 83.82         |
| 12    | 89.64       | 91.44         |

To convert to inches, divide by 25.4



**Part Numbering System**

|               |   |                                |                          |                             |
|---------------|---|--------------------------------|--------------------------|-----------------------------|
| Series        | # of Poles  | Orientation                    | Side Base                | Mating Plug: EM3516 pg. 108 |
| <b>EM3526</b> | <input type="checkbox"/> <input type="checkbox"/> | <input type="checkbox"/>       | <input type="checkbox"/> |                             |
|               | 02 to 24  | H - horizontal<br>V - vertical | O - open<br>C - closed   |                             |

# EuroMag Series PCB Mount Pluggable Terminal Blocks

## EM2416 Series

### Euro-Mag Terminal Blocks

Pluggable Block with Flanges (Mates with EM2426 Series); 7.62 Centers

#### SPECIFICATIONS

**Rating:** 16A, 300V

**Center Spacing:** 0.30" (7.62mm)

**Wire Range:** #14-24 AWG

**Housing Material:** UL rated 94V0 Thermoplastic

**Contact Material:** Tin-Plated Brass

**Cage Clamp:** Brass, Nickel-Plated

**Screw Size:** M3.0 Zinc-Plated Steel

**Operating Temperature:** 105°C (221°F) max., -40°C (-40°F) min.

**Torque Rating:** 5.0 lb-in.

**Construction:** Mold-to-Length

**Agency Information:**  File E62622; CE Certified

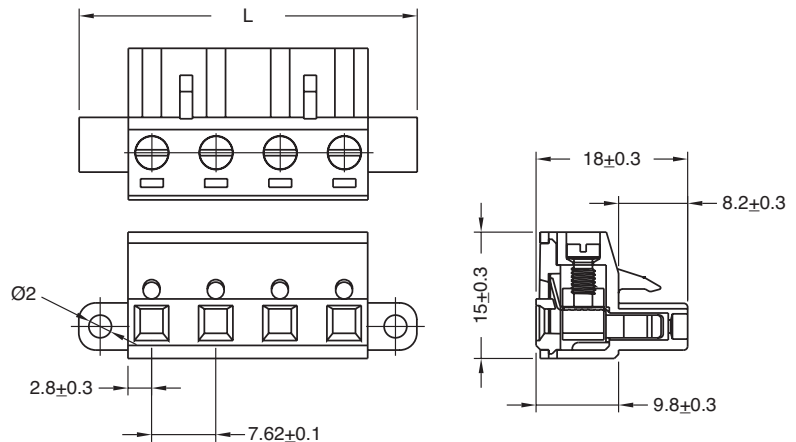


EM241602

#### Dimensions - mm (in)

| Poles | L (mm) |
|-------|--------|
| 2     | 24.90  |
| 3     | 32.50  |
| 4     | 40.10  |
| 5     | 47.80  |
| 6     | 55.40  |
| 7     | 63.00  |
| 8     | 70.60  |
| 9     | 78.20  |
| 10    | 89.90  |
| 11    | 93.50  |
| 12    | 101.10 |

To convert to inches, divide by 25.4



## Part Numbering System

Series

# of Poles

Mating Header: EM2426 pg. 111

EM2416

□□

02 to 12

**EM2426 Series**

**Euro-Mag Terminal Blocks**

Header with Flanges (Mates with EM2416 Series); 7.62 Centers

**SPECIFICATIONS**

Rating: 16A, 300V

Center Spacing: 0.30" (7.62mm)

Housing Material: UL rated 94V0 Thermoplastic

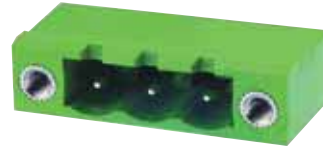
Contact Material: Tin-Plated Brass

Operating Temperature: 105°C (221°F) max., -40°C (-40°F) min.

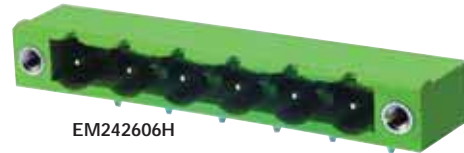
Recommended PCB Hole Diameters: 0.059" (1.50mm)

Construction: Mold-to-Length

Agency Information:  File E62622; CE Certified



EM242603V



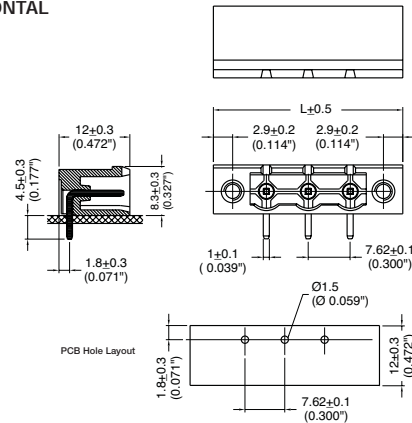
EM242606H

| Poles | L (mm) | Poles | L (mm) |
|-------|--------|-------|--------|
| 2     | 25.62  | 8     | 71.34  |
| 3     | 33.24  | 9     | 78.96  |
| 4     | 40.86  | 10    | 86.58  |
| 5     | 48.48  | 11    | 94.20  |
| 6     | 56.10  | 12    | 101.80 |
| 7     | 63.72  |       |        |

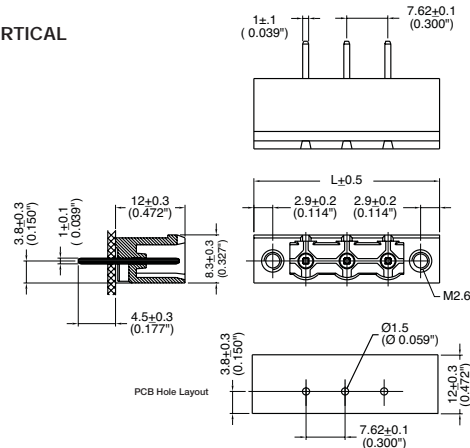
To convert to inches, divide by 25.4

**Dimensions - mm (in)**

**HORIZONTAL**



**VERTICAL**



**Part Numbering System**

Series



# of Poles



02 to 12

Orientation



H - horizontal  
V - vertical

Mating Plug: EM2416 pg. 110

# EuroMag Series PCB Mount Pluggable Terminal Blocks

## EM5015 Series Euro-Mag Terminal Blocks

Pluggable Block  
(Mates with EM5025 Series); 5.00 Centers

### SPECIFICATIONS

**Rating:** 15A, 300V

**Center Spacing:** 0.197" (5.00mm)

**Wire Range:** #16-24 AWG

**Housing Material:** Blue UL 94V0 Thermoplastic

**Contact Material:** Tin-Plated Brass

**Screw Size:** M2x6 Chromatized Steel

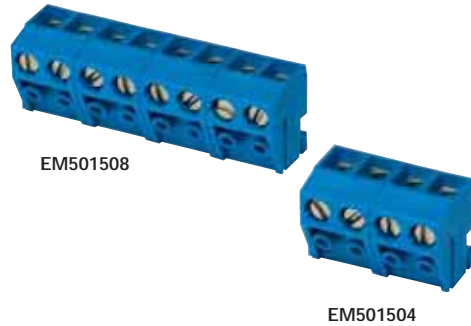
**Operating Temperature:** 120°C (221°F) max., -40°C (-40°F) min.

**Torque Rating:** 3.0 lb-in.

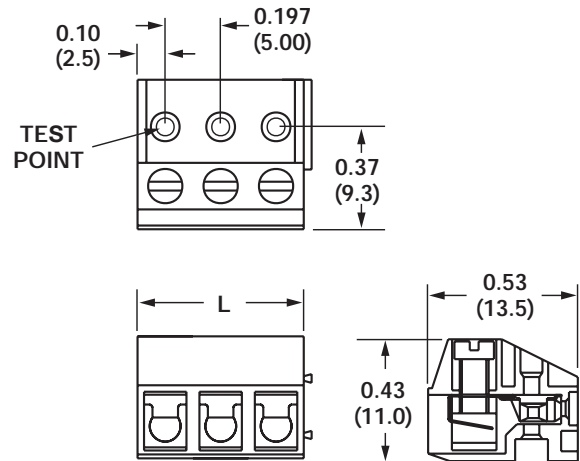
**Construction:** Modular design features dovetails for interlocking to achieve longer lengths

**Connector Style:** Spring Clamp

**Agency Information:**  File E62622; CE Certified



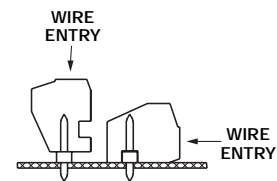
Dimensions - mm (in)



| Poles | L (mm) | Poles | L (mm) |
|-------|--------|-------|--------|
| 2*    | 10.0   | 14    | 70.0   |
| 3*    | 15.0   | 15    | 75.0   |
| 4     | 20.0   | 16    | 80.0   |
| 5     | 25.0   | 17    | 85.0   |
| 6     | 30.0   | 18    | 90.0   |
| 7     | 35.0   | 19    | 95.0   |
| 8     | 40.0   | 20    | 100.0  |
| 9     | 45.0   | 21    | 105.0  |
| 10    | 50.0   | 22    | 110.0  |
| 11    | 55.0   | 23    | 115.0  |
| 12    | 60.0   | 24    | 120.0  |
| 13    | 65.0   |       |        |

To convert to inches, divide by 25.4

\*Mold-to-Length



Mating orientations

## Part Numbering System

Series

# of Poles

Mating Header: EM5025 pg. 113

**EM5015**


02 to 24

**EM5025 Series  
Euro-Mag Terminal Blocks**

Header (Mates with EM5015 Series);  
5.00 Centers



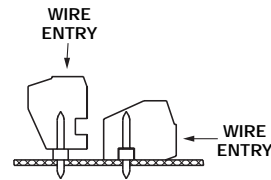
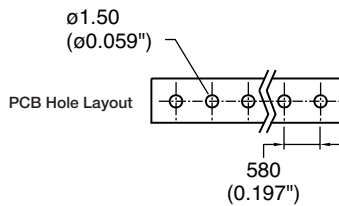
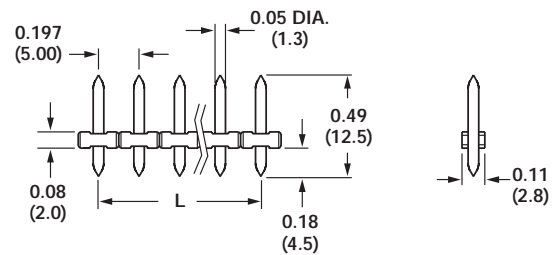
**SPECIFICATIONS**

- Rating: 15A, 300V
- Center Spacing: 0.197" (5.00mm)
- Housing Material: Black UL 94V0 Thermoplastic
- Contact Material: Tin-Plated Brass
- Operating Temperature: 120°C (221°F) max., -40°C (-40°F) min.
- Recommended PCB Hole Diameters: 0.059" (1.50mm)
- Construction: Mold-to-Length
- Agency Information:  File E62622; CE Certified

| Poles | L (mm) | Poles | L (mm) |
|-------|--------|-------|--------|
| 2     | 10.0   | 14    | 70.0   |
| 3     | 15.0   | 15    | 75.0   |
| 4     | 20.0   | 16    | 80.0   |
| 5     | 25.0   | 17    | 85.0   |
| 6     | 30.0   | 18    | 90.0   |
| 7     | 35.0   | 19    | 95.0   |
| 8     | 40.0   | 20    | 100.0  |
| 9     | 45.0   | 21    | 105.0  |
| 10    | 50.0   | 22    | 110.0  |
| 11    | 55.0   | 23    | 115.0  |
| 12    | 60.0   | 24    | 120.0  |
| 13    | 65.0   |       |        |

To convert to inches, divide by 25.4

**Dimensions - mm (in)**



Mating orientations

**Part Numbering System**

Series

# of Poles

Mating Plug: EM5015 pg. 112



02 to 24

# EuroMag Series PCB Mount Pluggable Terminal Blocks

## EM5035 Series

### Euro-Mag Terminal Blocks

Pluggable Block, Stackable  
(Mates with EM5045 Series) 5.00 Centers

#### SPECIFICATIONS

**Rating:** 10A, 300V

**Center Spacing:** 0.197" (5.00mm)

**Wire Range:** #16-24 AWG

**Housing Material:** Black UL 94V0 Thermoplastic

**Contact Material:** Tin-Plated Brass

**Wire Protector:** Phosphor Bronze, Tin-Plated

**Screw Size:** M2.6 Chromatized Steel

**Operating Temperature:** 105°C (221°F) max., -40°C (-40°F) min.

**Torque Rating:** 3.0 lb-in.

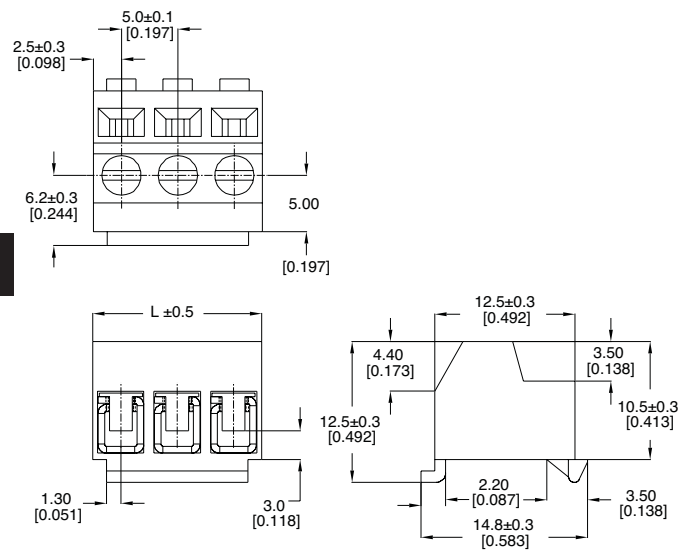
**Construction:** Modular design features dovetails for interlocking to achieve longer lengths

**Agency Information:** eFUS File E62622; CE Certified



Shown with EM5045series header - order separately

#### Dimensions - mm (in)



| Poles | L (mm) | Poles | L (mm) |
|-------|--------|-------|--------|
| 2     | 10.0   | 14    | 70.0   |
| 3     | 15.0   | 15    | 75.0   |
| 4     | 20.0   | 16    | 80.0   |
| 5     | 25.0   | 17    | 85.0   |
| 6     | 30.0   | 18    | 90.0   |
| 7     | 35.0   | 19    | 95.0   |
| 8     | 40.0   | 20    | 100.0  |
| 9     | 45.0   | 21    | 105.0  |
| 10    | 50.0   | 22    | 110.0  |
| 11    | 55.0   | 23    | 115.0  |
| 12    | 60.0   | 24    | 120.0  |
| 13    | 65.0   |       |        |

To convert to inches, divide by 25.4

## Part Numbering System

Series

# of Poles

Mating Plug: EM5045 pg. 115

EM5035

02 to 24



**EM5045 Series**  
**Euro-Mag Terminal Blocks**

Header (Mates with EM5035 Series);  
 5.00 Centers

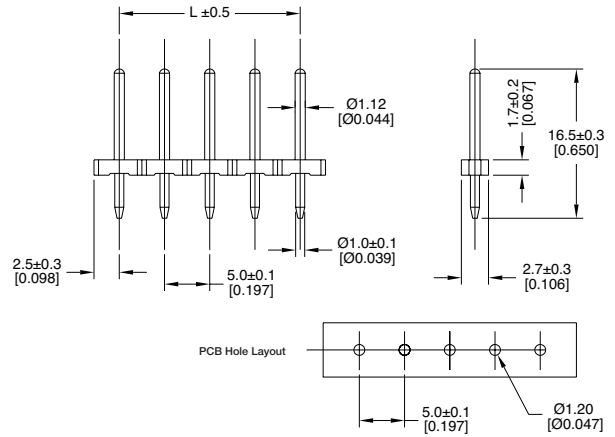
**SPECIFICATIONS**

- Rating: 10A, 300V
- Center Spacing: 0.197" (5.00mm)
- Housing Material: Black UL 94V0 Thermoplastic
- Contact Material: Tin-Plated Brass
- Operating Temperature: 105°C (221°F) max., -40°C (-40°F) min.
- Recommended PCB Hole Diameters: 0.059" (1.50mm)
- Construction: Mold-to-Length
- Agency Information: File E62622; CE Certified



EM504513

**Dimensions - mm (in)**



| Poles | L (mm) | Poles | L (mm) |
|-------|--------|-------|--------|
| 2     | 5.0    | 14    | 65.0   |
| 3     | 10.0   | 15    | 70.0   |
| 4     | 15.0   | 16    | 75.0   |
| 5     | 20.0   | 17    | 80.0   |
| 6     | 25.0   | 18    | 85.0   |
| 7     | 30.0   | 19    | 90.0   |
| 8     | 35.0   | 20    | 95.0   |
| 9     | 40.0   | 21    | 100.0  |
| 10    | 45.0   | 22    | 105.0  |
| 11    | 50.0   | 23    | 110.0  |
| 12    | 55.0   | 24    | 115.0  |
| 13    | 60.0   |       |        |

To convert to inches, divide by 25.4

**Part Numbering System**

Series                      # of Poles

**EM5045**                 

                                    02 to 24