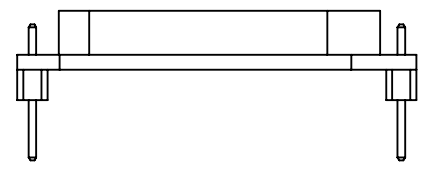
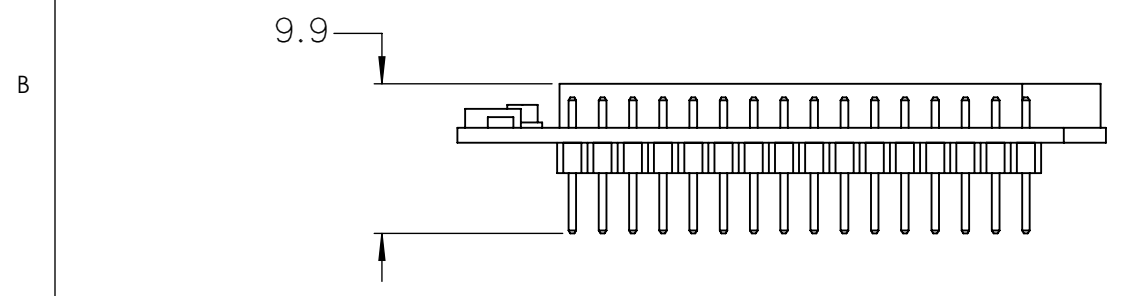
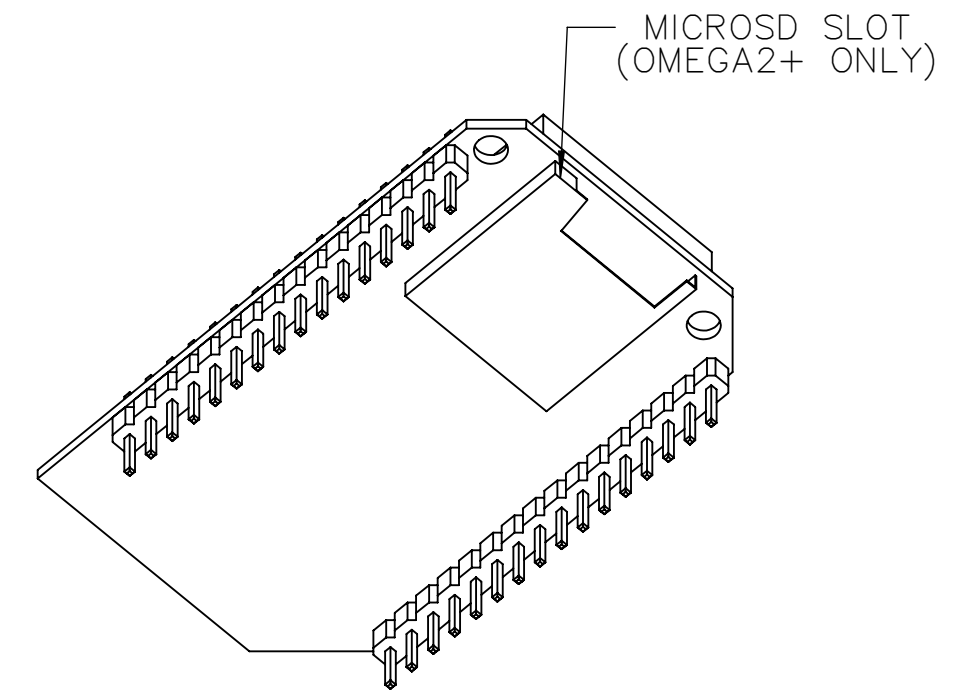
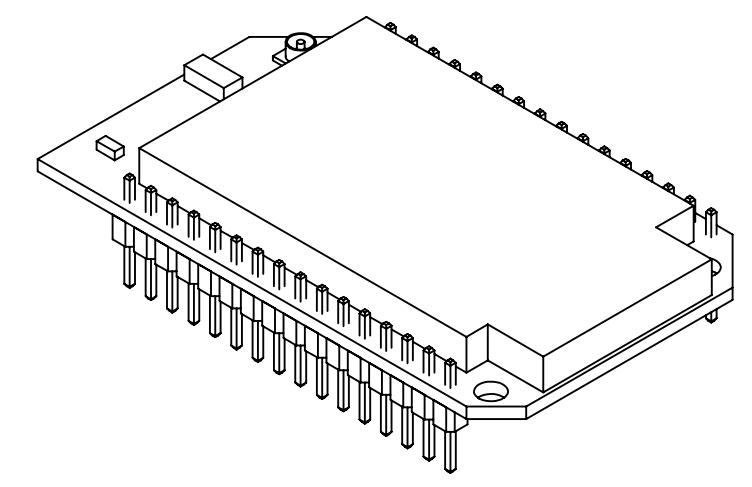
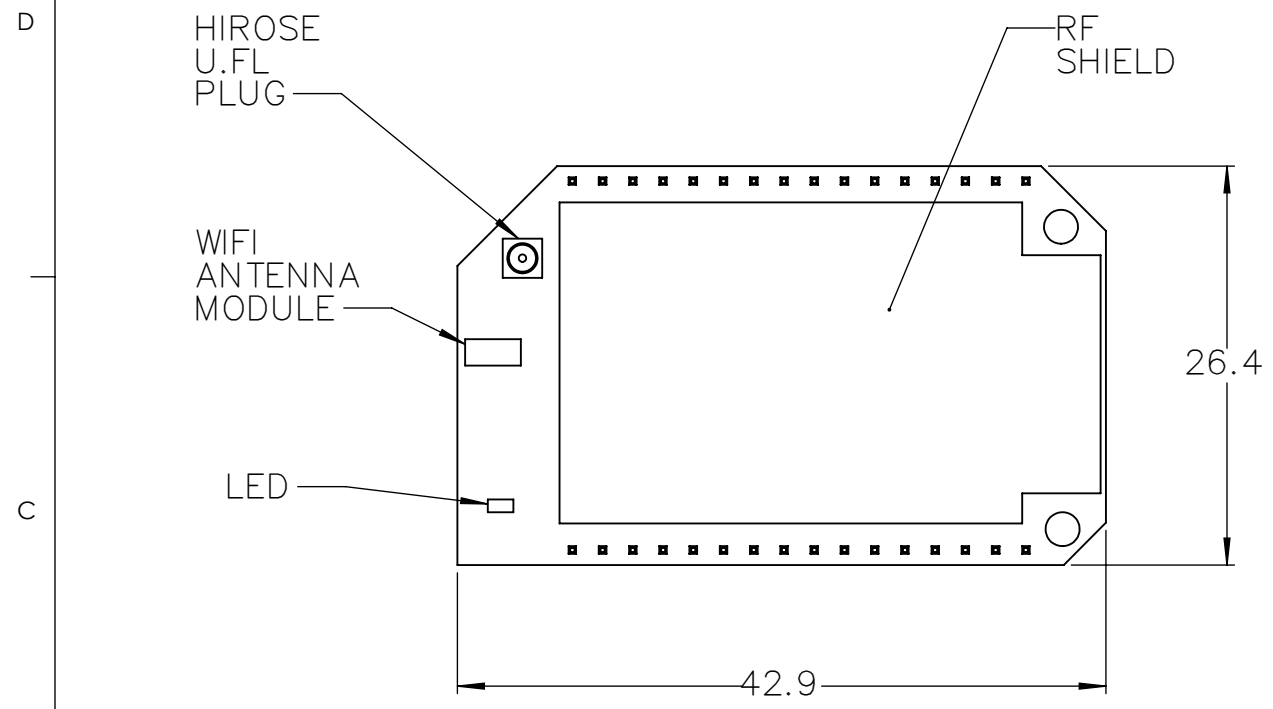
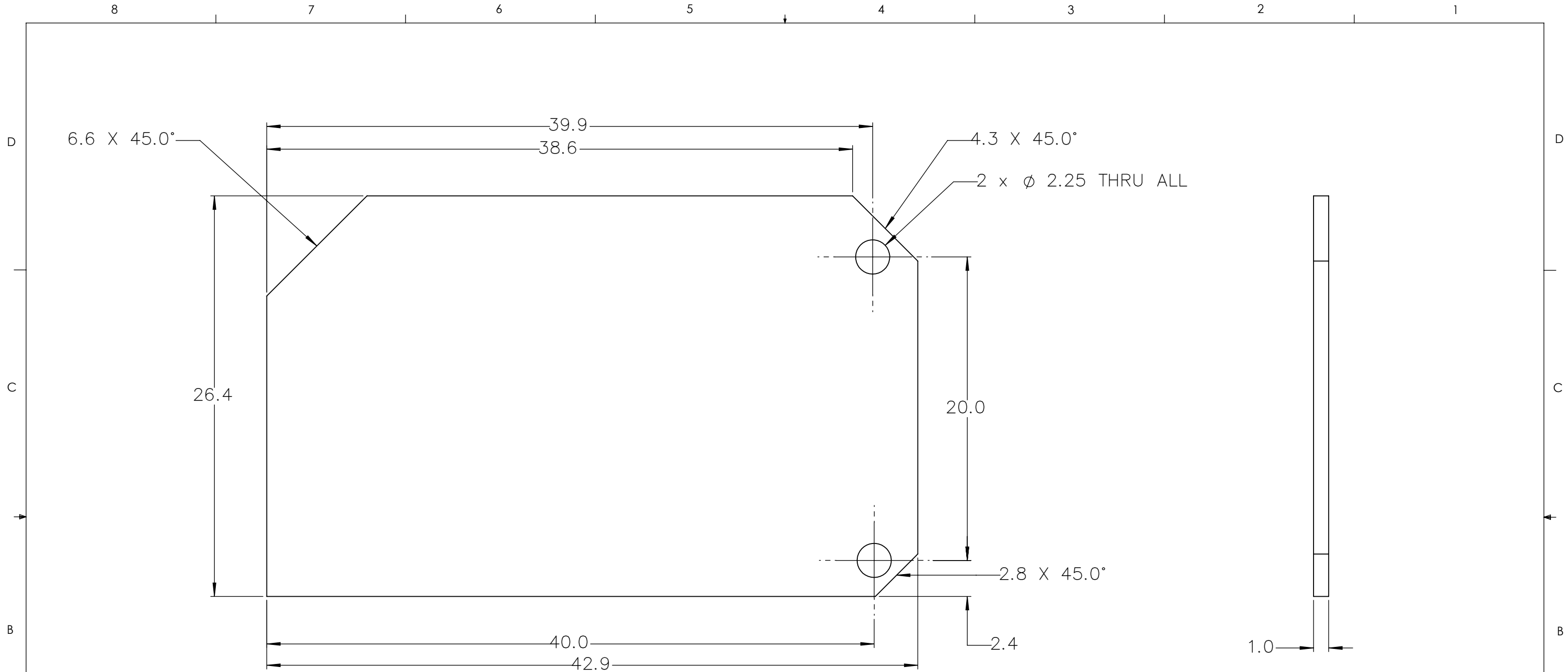


Rev	Description	Date
A	ORIGINAL	2017/01/19



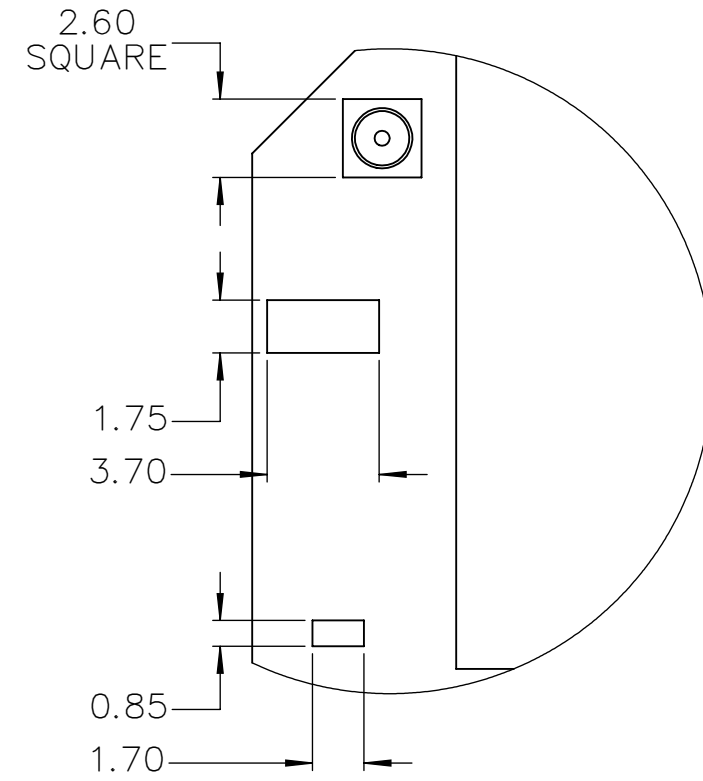
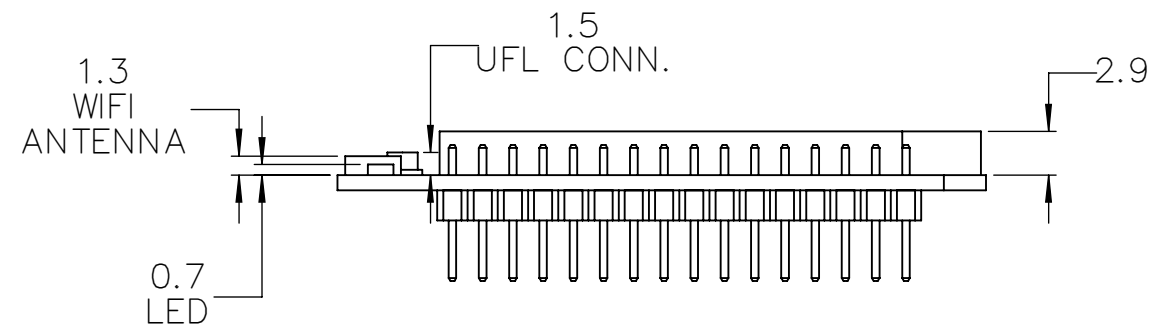
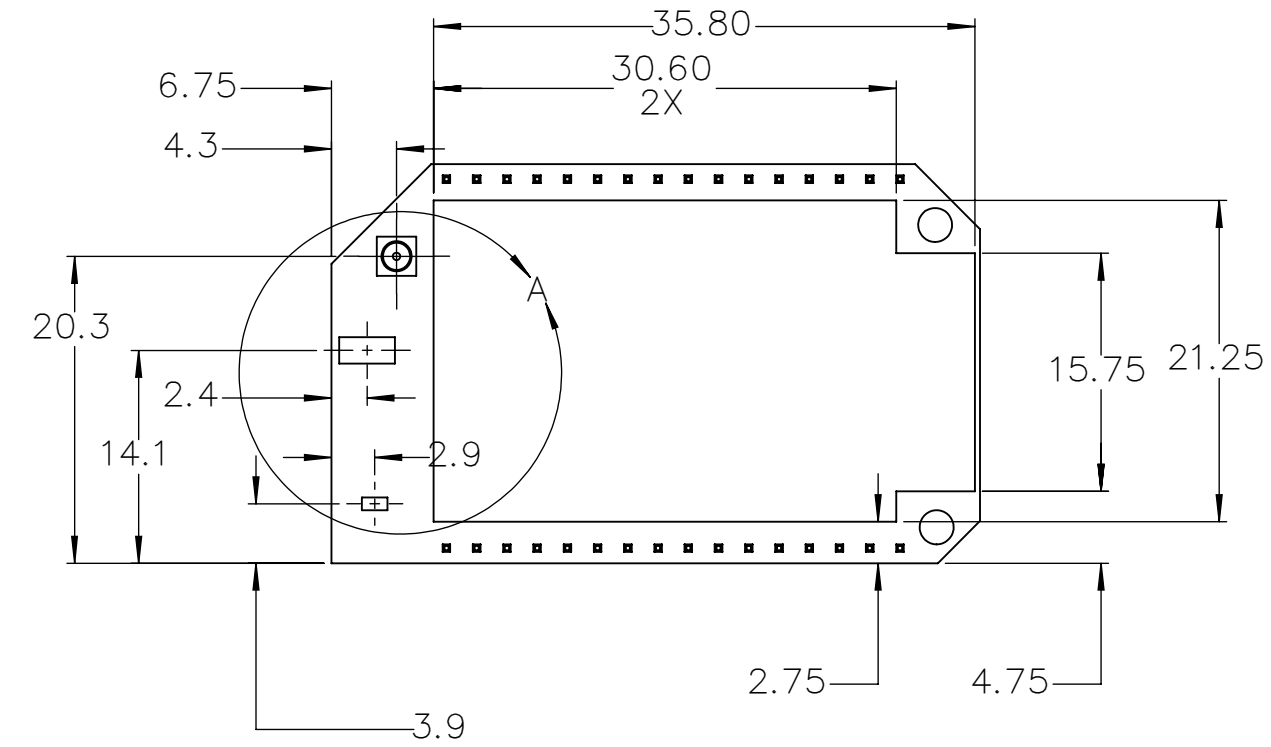
OVERVIEW

		DIMENSION IN MM UNLESS NOTED	THE INFORMATION CONTAINED IN THIS DRAWING IS THE SOLE PROPERTY OF ONION CORPORATION. ANY REPRODUCTION IN PART OR AS A WHOLE WITHOUT THE WRITTEN PERMISSION OF ONION CORPORATION IS PROHIBITED.		
		TOLERANCES	AUTHOR	DATE	
		.X ±0.1	GO	2017/01/19	
		.XX ±0.06	CHECKED	DATE	TITLE
		.XXX ±0.010	APPROVED	DATE	OMEGA2
		ANG.	PROJECTION TYPE		PART NO.
		MACH ±0.5°			OM-02
		BEND ±1°			SCALE
NEXT ASSY	USED ON	DO NOT SCALE DRAWING	2:1	B	A
			SHEET		1 OF 5



BOARD DETAIL  
(COMPONENTS NOT SHOWN)

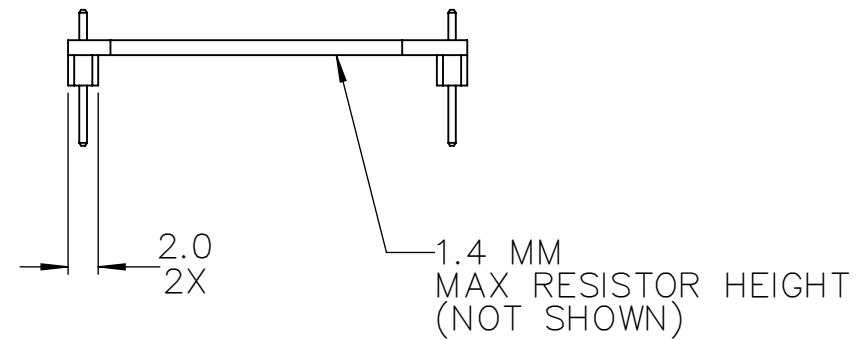
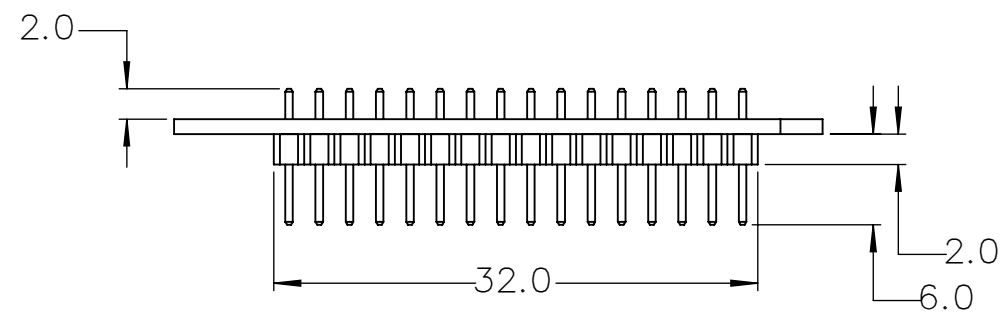
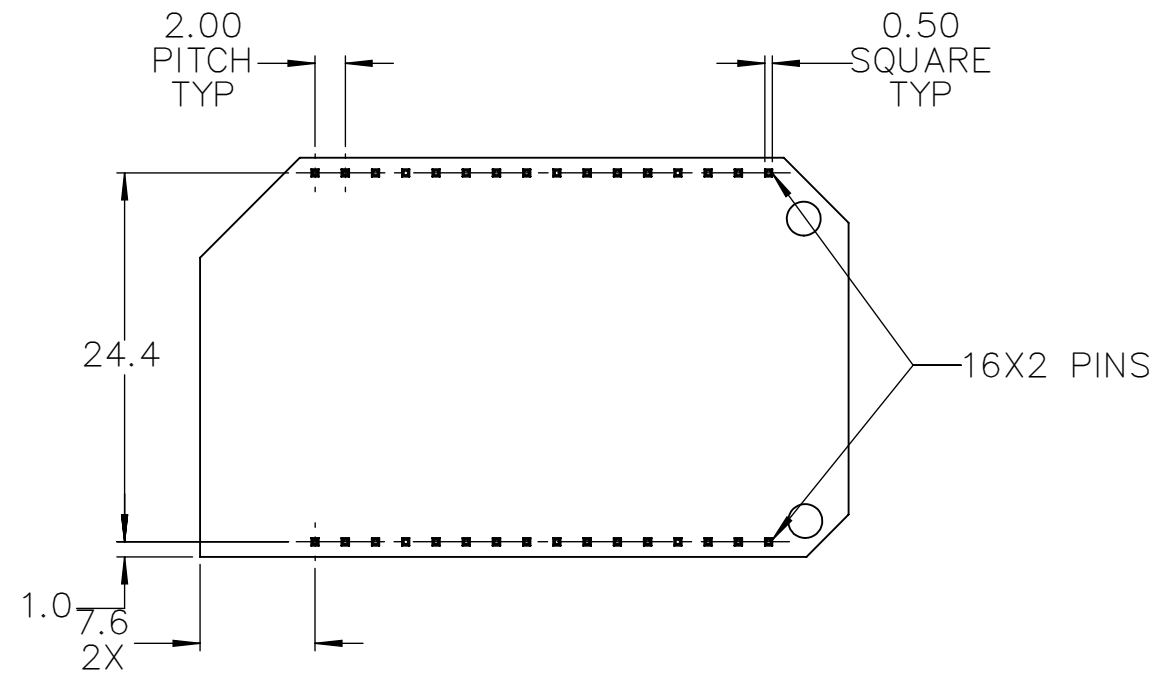
		DIMENSION IN MM UNLESS NOTED	THE INFORMATION CONTAINED IN THIS DRAWING IS THE SOLE PROPERTY OF ONION CORPORATION. ANY REPRODUCTION IN PART OR AS A WHOLE WITHOUT THE WRITTEN PERMISSION OF ONION CORPORATION IS PROHIBITED.	
		TOLERANCES	AUTHOR GO	DATE 2017/01/19
		.X $\pm$ 0.1	CHECKED	DATE
		.XX $\pm$ 0.06	APPROVED	DATE
		.XXX $\pm$ 0.010	PROJECTION TYPE	TITLE OMEGA2
		ANG. MACH $\pm$ 0.5°		PART NO. OM-02
		BEND $\pm$ 1°		REV. A
		MATERIAL		SCALE
NEXT ASSY	USED ON	DO NOT SCALE DRAWING	4:1	SIZE B
				SHEET 2 OF 5




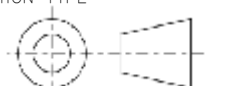
DETAIL A  
SCALE 4 : 1

COMPONENT DETAIL

		DIMENSION IN MM UNLESS NOTED	THE INFORMATION CONTAINED IN THIS DRAWING IS THE SOLE PROPERTY OF ONION CORPORATION. ANY REPRODUCTION IN PART OR AS A WHOLE WITHOUT THE WRITTEN PERMISSION OF ONION CORPORATION IS PROHIBITED.		
		TOLERANCES	AUTHOR	DATE	
		.X ±0.1	GO	2017/01/19	
		.XX ±0.06	CHECKED	DATE	TITLE
		.XXX ±0.010	APPROVED	DATE	OMEGA2
		ANG.	PROJECTION TYPE		PART NO.
		MACH ±0.5°			OM-02
		BEND ±1°			SCALE
		MATERIAL	2:1	B	A
NEXT ASSY	USED ON	DO NOT SCALE DRAWING	SCALE		SHEET
			2:1	B	3 OF 5



PIN DETAIL  
(COMPONENTS NOT SHOWN)

		DIMENSION IN MM UNLESS NOTED	THE INFORMATION CONTAINED IN THIS DRAWING IS THE SOLE PROPERTY OF ONION CORPORATION. ANY REPRODUCTION IN PART OR AS A WHOLE WITHOUT THE WRITTEN PERMISSION OF ONION CORPORATION IS PROHIBITED.		
		TOLERANCES	AUTHOR	DATE	
		.X ±0.1	GO	2017/01/19	
		.XX ±0.06	CHECKED	DATE	TITLE
		.XXX ±0.010	APPROVED	DATE	OMEGA2
		ANG.	PROJECTION TYPE		PART NO.
		MACH ±0.5°			OM-02
		BEND ±1°			SCALE
		MATERIAL	2:1	B	A
NEXT ASSY	USED ON	DO NOT SCALE DRAWING	SHEET		
			4 OF 5		

8 7 6 5 4 3 2 1

D

D

C

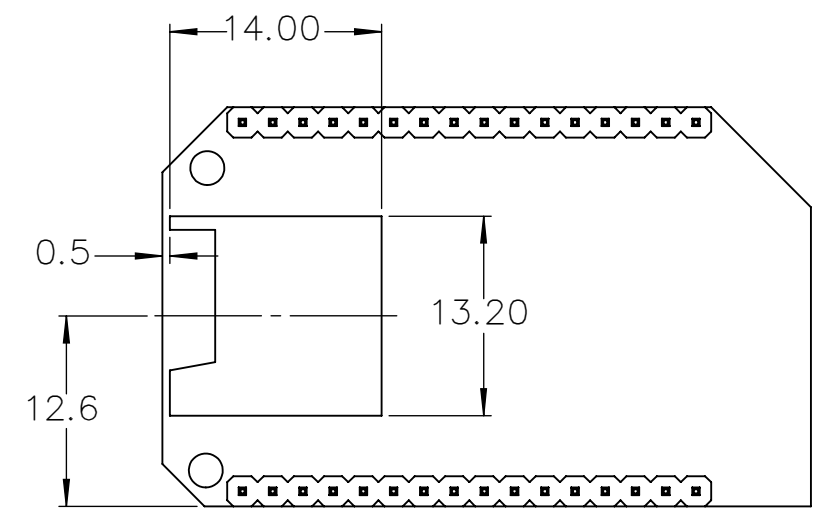
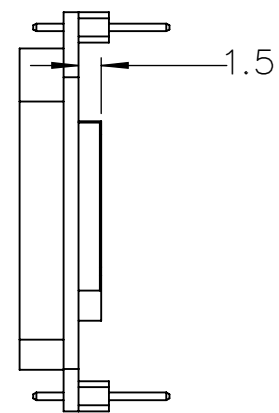
C

B

B

A

A



SD CARD DETAIL  
(OMEGA2+ ONLY)

		DIMENSION IN MM UNLESS NOTED	THE INFORMATION CONTAINED IN THIS DRAWING IS THE SOLE PROPERTY OF ONION CORPORATION. ANY REPRODUCTION IN PART OR AS A WHOLE WITHOUT THE WRITTEN PERMISSION OF ONION CORPORATION IS PROHIBITED.		
		TOLERANCES	AUTHOR	DATE	
		.X ±0.1	GO	2017/01/19	
		.XX ±0.06	CHECKED	DATE	
		.XXX ±0.010	APPROVED	DATE	TITLE
		ANG.			OMEGA2
		MACH ±0.5°			PART NO.
		BEND ±1°			OM-02
		MATERIAL	PROJECTION TYPE		REV.
					A
NEXT ASSY	USED ON	DO NOT SCALE DRAWING	SCALE	SIZE	SHEET
			2:1	B	5 OF 5

8 7 6 5 4 3 2 1