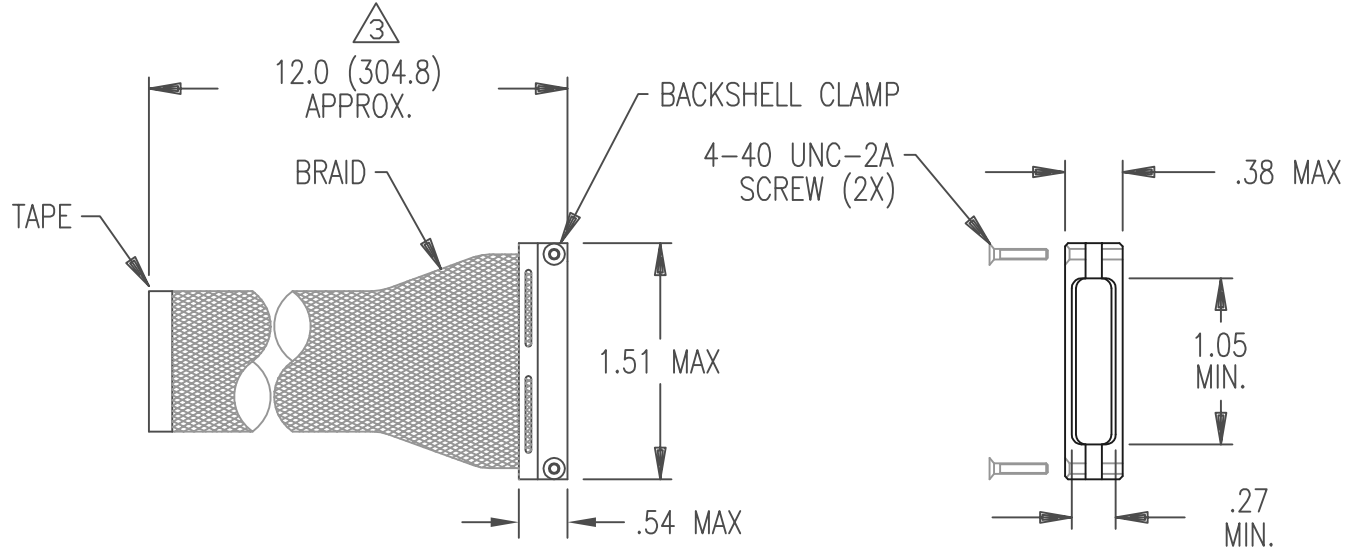


THIS DRAWING AND THE INFORMATION SET FORTH HEREON ARE THE PROPERTY OF TYCO ELECTRONICS CORPORATION, AND ARE TO BE HELD IN TRUST AND CONFIDENCE. PUBLICATION, DUPLICATION, DISCLOSURE, OR USE FOR ANY PURPOSE NOT EXPRESSLY AUTHORIZED IN WRITING BY TYCO ELECTRONICS IS PROHIBITED.

REVISIONS		
LTR	DESCRIPTION	DATE
A	INITIAL RELEASE PER ECO-08-030795	09DEC2008

NOTES:

1. MATERIALS:
 - 1.1. BACKSHELL: ALUMINUM ALLOY 6061-T651 PER ASTM B209.
 - 1.1.1. PLATING: CADMIUM PER TYCO ELECTRONICS ES-22260 (CADMIUM OVER NICKEL, CHROMATE CONVERSION COATING).
 - 1.1.1.1. CADMIUM PER SAE AMS-QQ-P-416, TYPE II, THICKNESS: .0004-.0007.
 - 1.1.1.2. NICKEL PER SAE AMS-C-26074, THICKNESS: .0002-.0003.
 - 1.2. BRAID PER SAE AA59569R36T1000, 36 AWG.
 - 1.2.1. BRAID PLATING: TIN ASTM B33.
 - 1.3. SCREW: CRES PER SAE AMS-QQ-P-763, CLASS 302.
 - 1.3.1. THREAD: 4-40 UNC-2A.
 - 1.3.2. PASSIVATION PER SAE AMS-QQ-P-35.
 - 1.3.3. PLATING: CADMIUM PER TYCO ELECTRONICS ES-22266 (CADMIUM OVER NICKEL, CHROMATE CONVERSION COATING).
 - 1.3.3.1. CADMIUM PER SAE AMS-QQ-P-416, TYPE II, THICKNESS: .0001-.0003.
 - 1.3.3.2. NICKEL PER SAE AMS 2403, .000025, MAXIMUM.
 - 1.3.1. LOCKING PATCH PER MIL-DTL-18240, TYPE P.
 - 1.4. SOLDER: Sn63 PER ANSI J-STD-006.
1. SCREWS ARE SHIPPED LOOSE.
2. BRAID LENGTH APPLIES TO FLAT, AS SUPPLIED, MATERIAL CONDITION.
3. TAPE IS INSTALLED FOR TEMPORARY PROTECTION OF THE BRAID AND SHALL BE REMOVED BY THE CUSTOMER.



If this document is printed it becomes uncontrolled. Check for the latest revision

CUSTOMER DRAWING

©2008 Tyco Electronics Corporation. All rights reserved.

UNLESS OTHERWISE SPECIFIED DIMENSIONS ARE IN INCHES. METRIC DIMENSIONS ARE IN BRACKETS. DECIMALS .XXX ± _____ .XX ± _____ ANGLES _____ WEIGHT TBD	DRAWN T RATZLAFF 09DEC2008			Raychem Interconnect 300 Constitution Drive Menlo Park, CA 94025 U.S.A.
	RPN: CN0642-000	TITLE BACKSHELL, 1 INCH EMI SUPPRESSING MTC AND MTCR SERIES		
	CAD NAME: CHA-0327-CD.DWG	SIZE A	CODE IDENT. NO. 06090	DWG. NO. CHA-0327
THIRD ANGLE PROJECTION 	DO NOT SCALE THIS DRAWING		SHEET 1 OF 1	