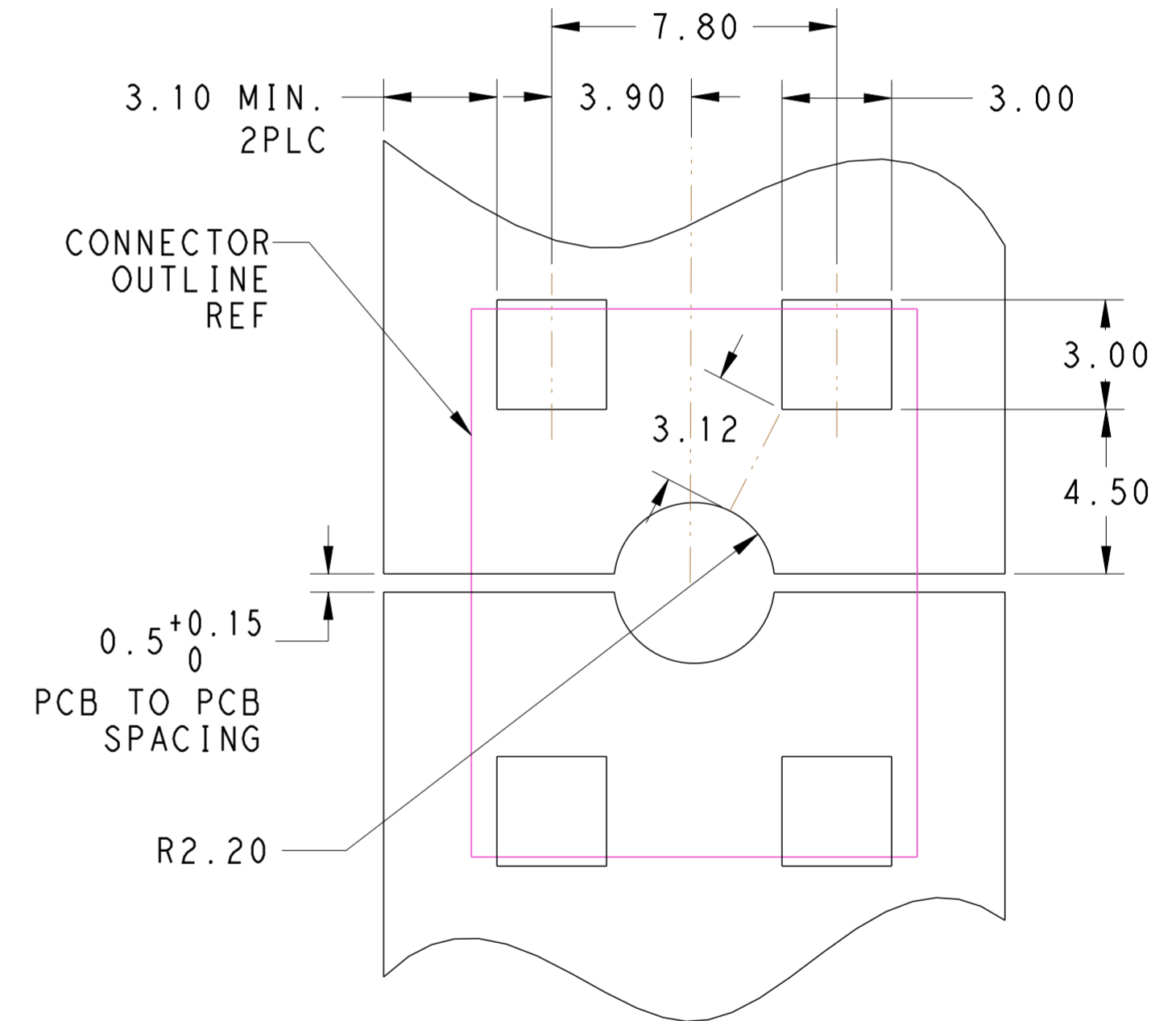
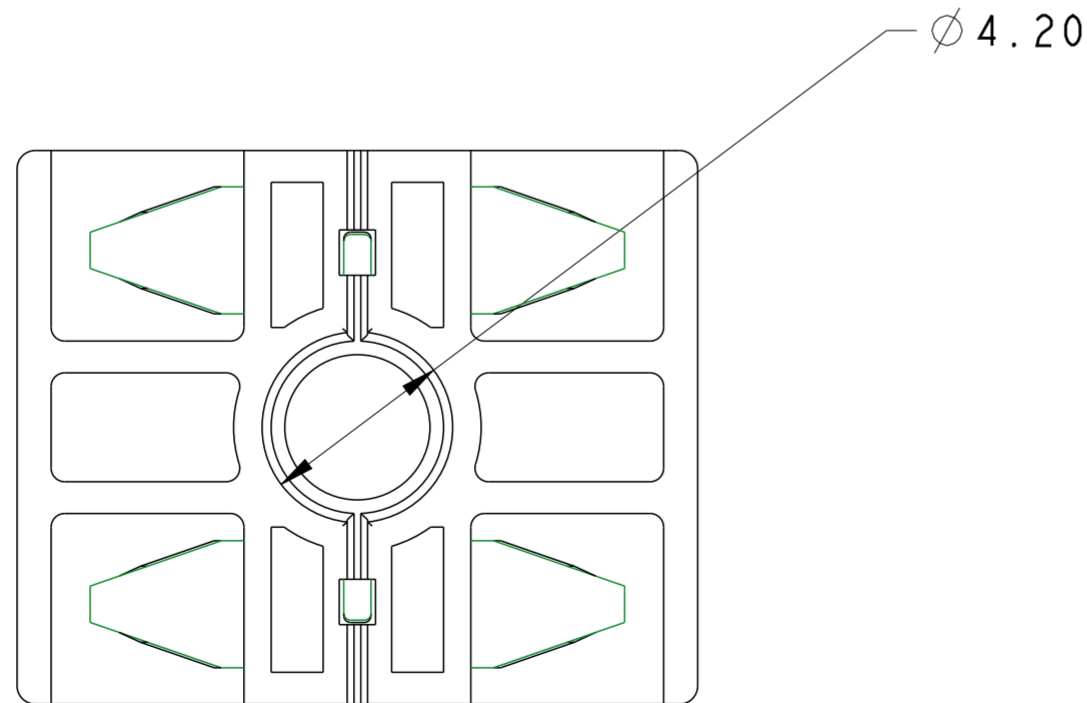
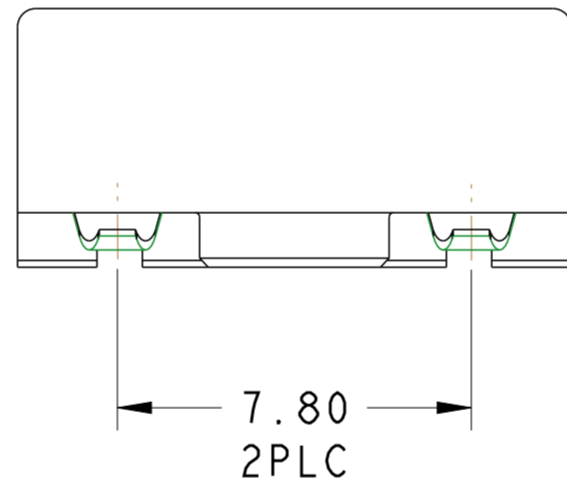
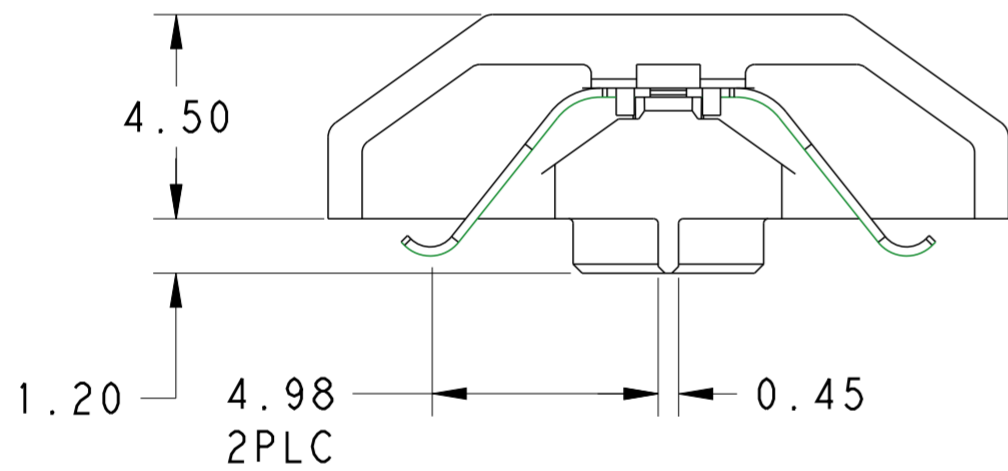
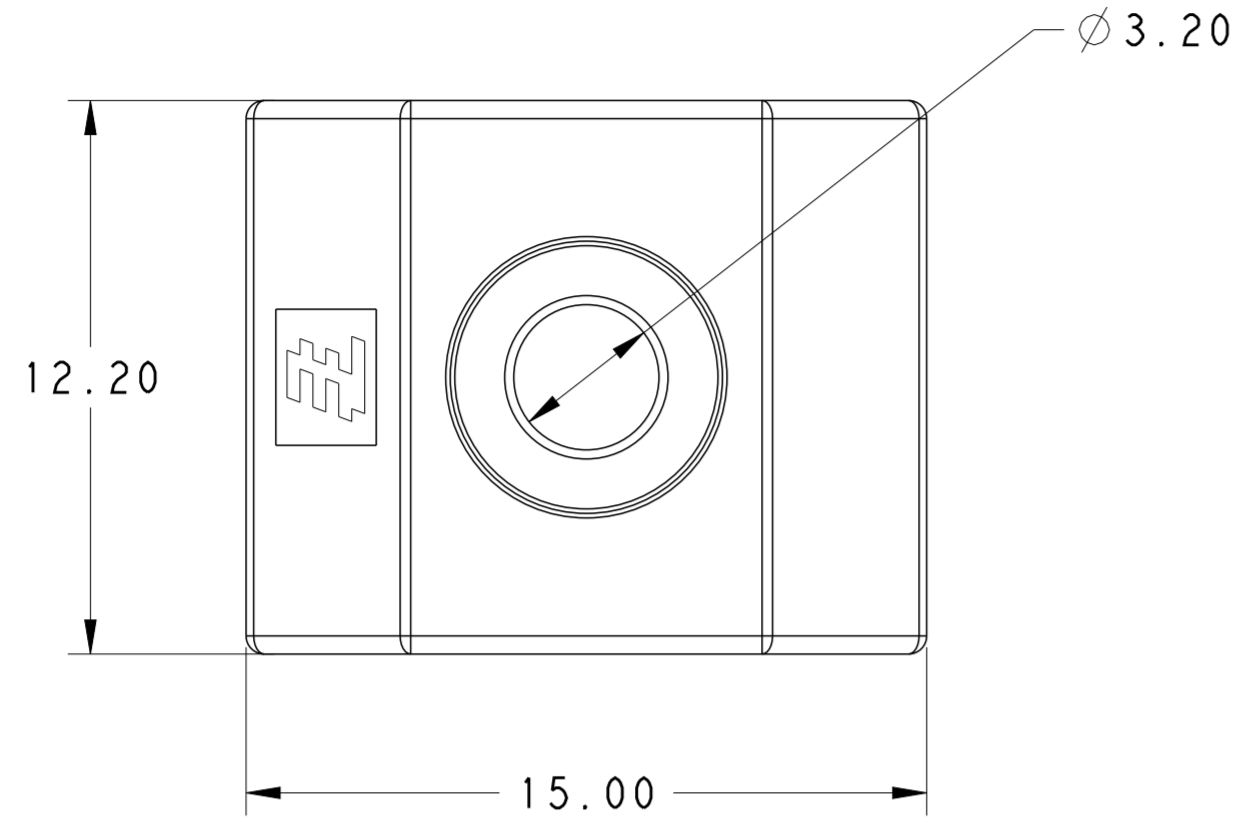


THIS DRAWING IS UNPUBLISHED. RELEASED FOR PUBLICATION 20
 © COPYRIGHT 20 BY TYCO ELECTRONICS CORPORATION. ALL INTERNATIONAL RIGHTS RESERVED.

LOC		DIST		REVISIONS			
P	LTR	DESCRIPTION	DATE	DWN	APVD		
-	-	A	RELEASED DRAWING	20DEC2010	K. J	X. X	

NOTES:

1. MATERIALS AND FINISH:
 -HOUSING; THERMAL PLASTIC, COLOR: WHITE
 -CONTACT: COPPER ALLOY, FINISH: TIN OVER NICKEL
2. MUST COMPLY WITH DIRECTIVE 2002/95/EC (ROHS)
3. RECOMMENDED SCREW SIZE: M3
 MAX SCREW DOWN TORQUE: 0.63 N.m
4. SCREWS FROM FERROUS METALS (OTHER THAN STAINLESS STEEL)
 SHOULD BE ZINC PLATED OR HAVE AN EQUIVALENT PROTECTIVE COATING
5. PACKAGING: SOFT TRAY



RECOMMENDED PCB LAYOUT
 SCALE 6:1

PART NO	2134347-1
---------	-----------

<small>THIS DRAWING IS A CONTROLLED DOCUMENT FOR TYCO ELECTRONICS CORPORATION. IT IS SUBJECT TO CHANGE AND THE CONTROLLING ENGINEERING ORGANIZATION SHOULD BE CONTACTED FOR THE LATEST REVISION.</small>		DWN	20DEC2010	 Tyco Electronics Corporation Shanghai, China
		CHK	20DEC2010	
		APVD	20DEC2010	
		NAME	XIANG XU	
DIMENSIONS: mm		TOLERANCES UNLESS OTHERWISE SPECIFIED: 0 PLC ±- 1 PLC ±0.2 2 PLC ±0.13 3 PLC ±0.013 4 PLC ±0.0001 ANGLES ±- FINISH		PRODUCT SPEC APPLICATION SPEC
MATERIAL -		WEIGHT -		MINI SCREW DOWN JUMPER B-B CONNECTOR SIZE CAGE CODE DRAWING NO RESTRICTED TO A200779 C-2134347 -
		CUSTOMER DRAWING		SCALE 3:1 SHEET 1 OF 1 REV A