

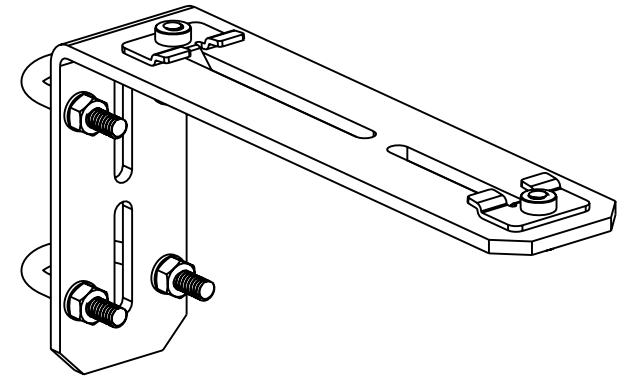
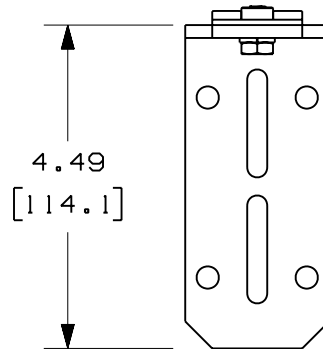
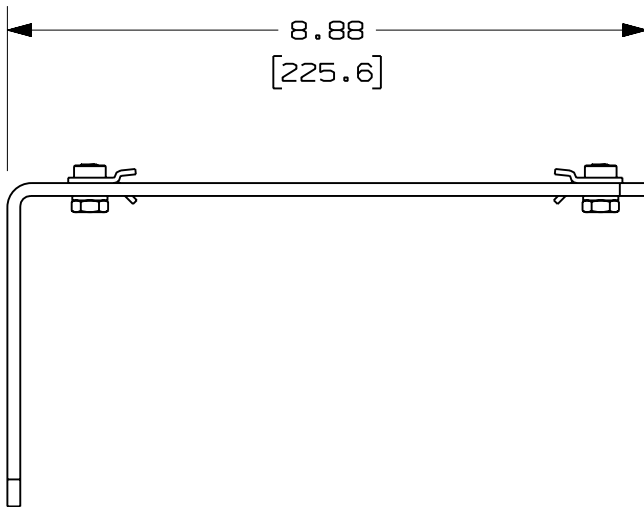
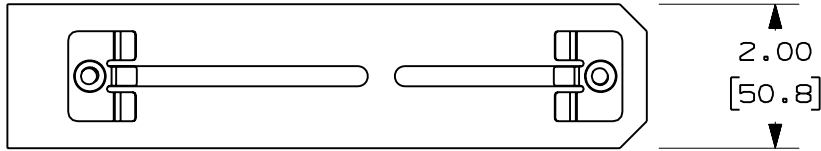


| PANDUIT PART NUMBER | WEIGHT                      |
|---------------------|-----------------------------|
| FR6USB              | 1.41 LB/EACH<br>(639g/EACH) |



**NOTES:**

- SEE CURRENT CATALOG FOR ADDITIONAL PART SUFFIXES TO INDICATE PACKAGE QUANTITY.
- THE FIBERRUNNER 4x4 AND 6x4 QUIKLOCK UNDER-FLOOR SUPPORT BRACKET IS USED TO SUPPORT THE FIBERRUNNER 4x4 AND/OR 6x4 CABLE ROUTING SYSTEMS FROM 1" (25.4) DIAMETER OR 7/8" (22.2) SQUARE TUBE FLOOR PEDESTALS.
- THE FIBERRUNNER 4x4 AND 6x4 QUIKLOCK UNDER-FLOOR SUPPORT BRACKET INCLUDES:  
ONE (1) BRACKET ASSEMBLY,  
TWO (2) 1/4-20x2x1 1/8x1 ROUND BEND U-BOLTS,  
FOUR (4) 1/4-20 HEX NUTS,  
FOUR (4) 1/4 HELICAL SPRING LOCKWASHERS.
- FINISH COLOR: BLACK (EXCEPT FOR HARDWARE)
- DIMENSIONS IN PARENTHESES ARE IN METRIC.



ENG. REF.: D37585BE\_DC\_FR6USB\_02.prt

CAD FILENAME/LAYERS: FR6USB.pdf

**PANDUIT** CORP TINLEY PARK, ILLINOIS  
**FIBERRUNNER 4x4 AND 6x4 QUIKLOCK UNDER-FLOOR SUPPORT BRACKET (FR6USB)**  
 CUSTOMER DRAWING

UNLESS OTHERWISE SPECIFIED, DIMENSIONAL TOLERANCES ARE:  
 (.X) ± (.XXX) ±  
 (.XX) ± .03 (.8) ANGLES ±

UNLESS OTHERWISE SPECIFIED, ALL DIMENSIONS ARE GIVEN IN INCHES, THIRD ANGLE PROJECTION.

| REV | DATE    | BY  | CHK | DESCRIPTION  | ECN      | R  | CUST | SUP | GMBH |
|-----|---------|-----|-----|--|----------|----|------|-----|------|
| -   | -----   | --- | --  | K. REVISED PART WEIGHT.<br>J. REVISED GENERAL NOTES. | -----    | -- | --   |     |      |
| 2   | 7-18-07 | MSO | RN  | I. REVISED DRAWING TITLE.<br>H. REVISED AND REDRAWN. | 37585-23 | RN | RN   |     |      |

|               |              |                       |
|---------------|--------------|-----------------------|
| DRAWN BY: MSO | MAT'L: STEEL | SCALE: NONE           |
| DATE: 5-11-00 |              | DRAWING NO.: 37585-23 |
| CHK'D: CVV    |              | DWG SIZE: A           |