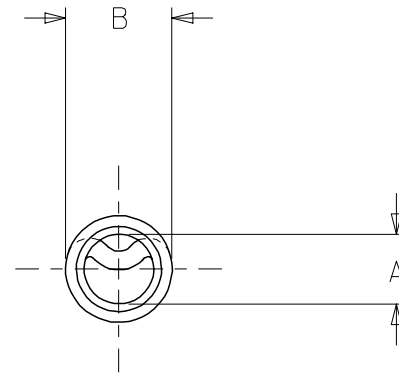
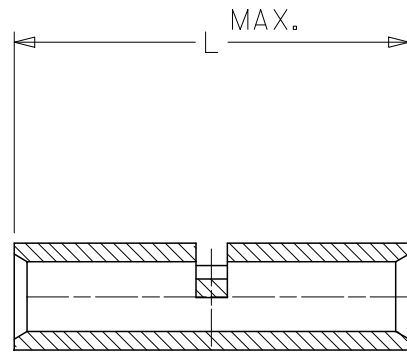
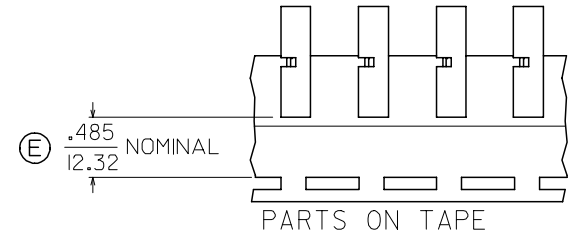


MATERIAL NO.	ENGINEERING NO.	"L" MAX	"A" MIN [ⓔ]	"B" MAX	PACKAGING
192150028	CS-346	.827/21.00	.139/3.53	.223/5.66	LOOSE PIECE
192150132	CS-352	.595/15.11	.139/3.53	.223/5.66	
192150030	CS-346T	.827/21.00	.139/3.53	.223/5.66	TAPE MOUNTED
192150252	CS-346US	.827/21.00	.139/3.53	.223/5.66	LOOSE PIECE
192150256	CS-346UST	.827/21.00	.139/3.53	.223/5.66	TAPE MOUNTED



SALES DRAWING

- NOTES:
 1. MATERIAL: COPPER.
 2. PLATING: ELECTRO-TIN.
 3. ALL DIMENSIONS IN INCHES/ MM.
 ⓔ 4. PART IS ROHS COMPLIANT.

CORRECTED DIM. A & ADDED ROHS EC NO: ETC2007-0397 DRW: DRWNEHLE 2007/04/27 CHKD: JMACNEIL 2007/05/09 APPR: JMACNEIL 2007/05/10	QUALITY SYMBOLS	GENERAL TOLERANCES (UNLESS SPECIFIED)		DIMENSION STYLE IN/MM		SCALE	DESIGN UNITS INCH	THIRD ANGLE PROJECTION																									
	▽=0 ▽=0	<table border="1"> <thead> <tr> <th></th> <th>mm</th> <th>INCH</th> </tr> </thead> <tbody> <tr> <td>4 PLACES</td> <td>±----</td> <td>±----</td> </tr> <tr> <td>3 PLACES</td> <td>±----</td> <td>±----</td> </tr> <tr> <td>2 PLACES</td> <td>±----</td> <td>±----</td> </tr> <tr> <td>1 PLACE</td> <td>±----</td> <td>±----</td> </tr> </tbody> </table>		mm	INCH	4 PLACES	±----	±----	3 PLACES	±----	±----	2 PLACES	±----	±----	1 PLACE	±----	±----	<table border="1"> <thead> <tr> <th>mm</th> <th>INCH</th> </tr> </thead> <tbody> <tr> <td>±----</td> <td>±----</td> </tr> <tr> <td>±----</td> <td>±----</td> </tr> <tr> <td>±----</td> <td>±----</td> </tr> <tr> <td>±----</td> <td>±----</td> </tr> </tbody> </table>	mm	INCH	±----	±----	±----	±----	±----	±----	±----	±----	DRAWN BY: JLOMASTRO DATE: 05/01/07 CHECKED BY: RDEROSS DATE: 05/01/07 APPROVED BY: RDEROSS DATE: 05/01/07	TITLE	BUTT CONNECTOR SEAMLESS 12-10 AWG WIRE SIZE		
		mm	INCH																														
	4 PLACES	±----	±----																														
3 PLACES	±----	±----																															
2 PLACES	±----	±----																															
1 PLACE	±----	±----																															
mm	INCH																																
±----	±----																																
±----	±----																																
±----	±----																																
±----	±----																																
DESCRIPTION	DRAFT WHERE APPLICABLE MUST REMAIN WITHIN DIMENSIONS		MATERIAL NO. SEE CHART	DOCUMENT NO. SD-19215-003	MOLEX INCORPORATED																												
REV			SIZE B	THIS DRAWING CONTAINS INFORMATION THAT IS PROPRIETARY TO MOLEX INCORPORATED AND SHOULD NOT BE USED WITHOUT WRITTEN PERMISSION																													