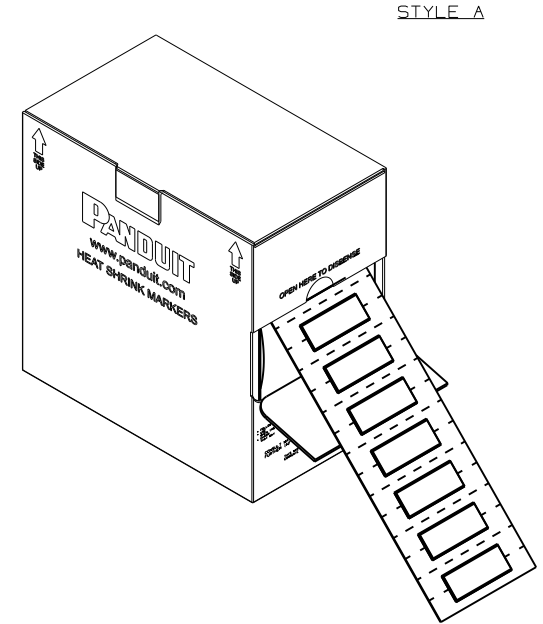
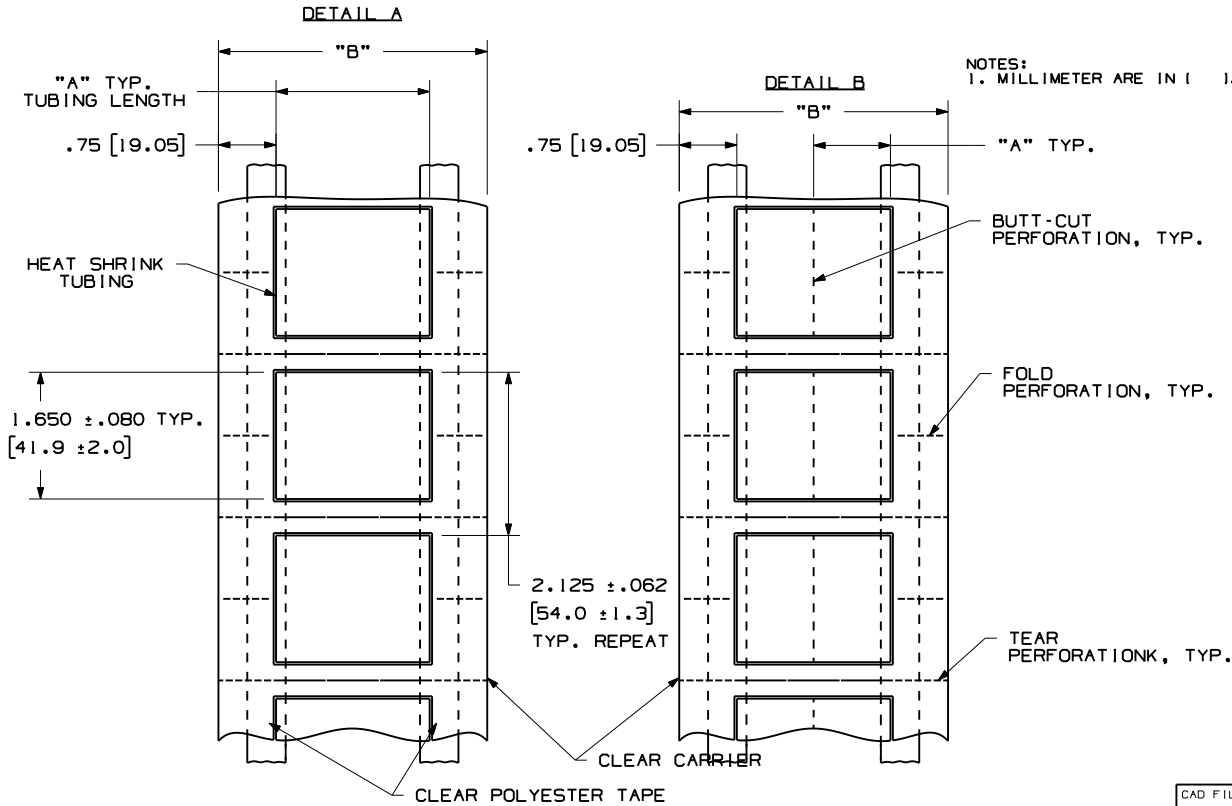


THIS COPY IS PROVIDED ON A RESTRICTED BASIS AND IS NOT TO BE USED IN ANY WAY DETRIMENTAL TO THE INTERESTS OF PANDUIT CORP.

PART NUMBER	SEE DETAIL	MATERIAL	"A" +/- .062	"B" +/- .062	INSIDE NOMINAL DIA.	MIN ID SUPPLIED	MAX. RECOVERED	MARKER ACROSS	TUBING COLOR	PKG. QTY.	SEE STYLE
H100X165HST-2	B	GMUFR31	1.00 [25.4]	3.50 [88.9]	1.00 in. [25.4 mm]	1.00 in. [25.4 mm]	0.315 [8.0]	2	YELLOW	500	A
H200X165HST-2	A		2.00 [50.8]					1		250	



CAD FILENAME/LAYERS 100815BJ-DC-C10962/00A

PANDUIT CORP. TINLEY PARK, ILLINOIS

CUSTOMER DRAWING H**X165H*T-2
TWO-SIDED HEAT SHRINK LABEL
FLUID RESISTANT

UNLESS OTHERWISE SPECIFIED,
DIMENSIONAL TOLERANCES ARE:
(.X) ± .12 (.XXX) ± .020
(.XX) ± .062 ANGLES ±

UNLESS OTHERWISE SPECIFIED,
ALL DIMENSIONS ARE GIVEN
IN INCHES, THIRD ANGLE PROJECTION.

DRAWN BY
RVU

MAT'L:

SCALE
NTS

DATE
11/14/11

HEAT SHRINK TUBING,
GMUHF21

DRAWING NO.
C10962

DWG
A
SIZE

REV	DATE	BY	CHK	DESCRIPTION	ECN	R	CUST	SUP
0	12/13/11	RVU		DRAWING RELEASE.	6566	R		