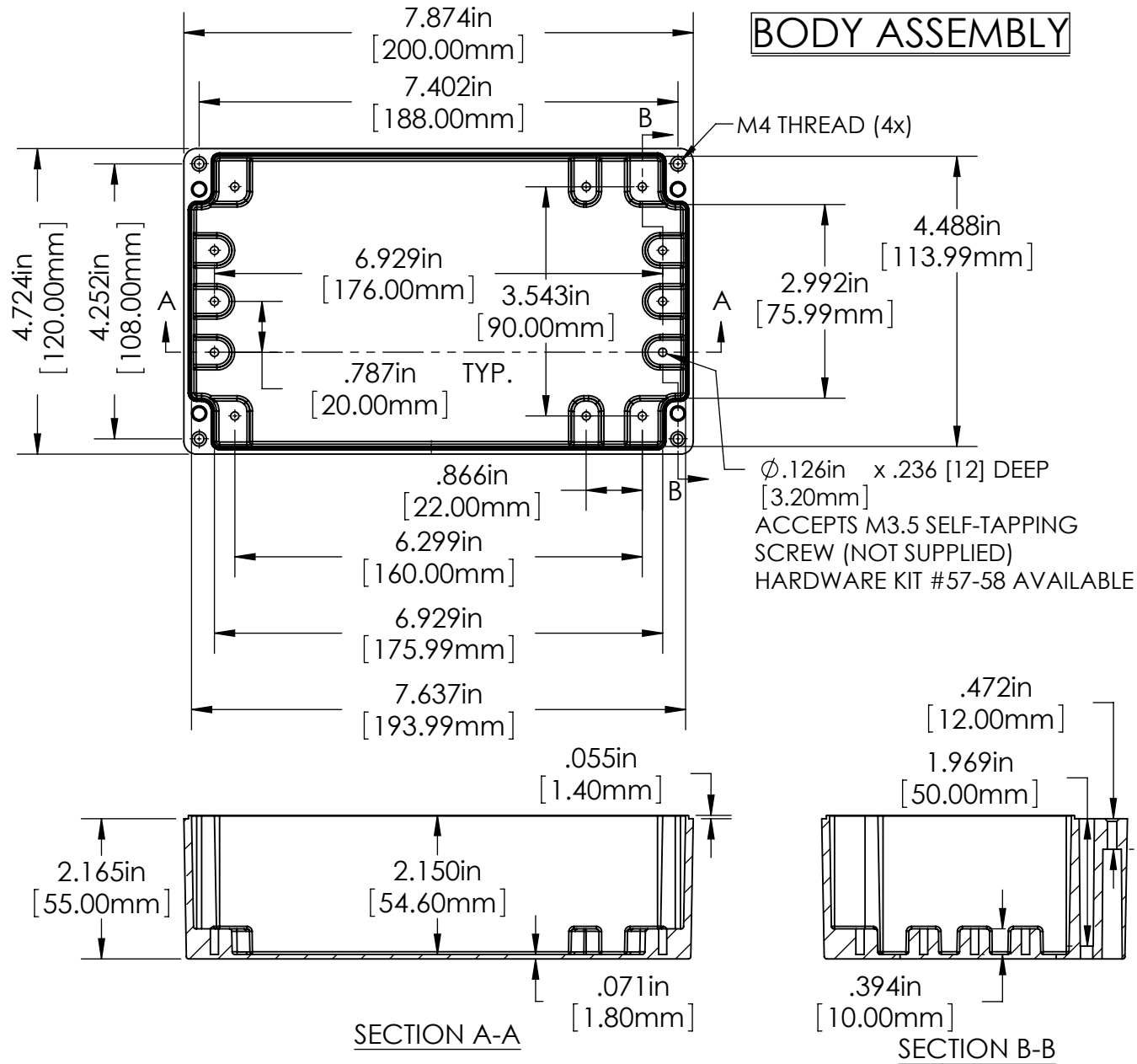
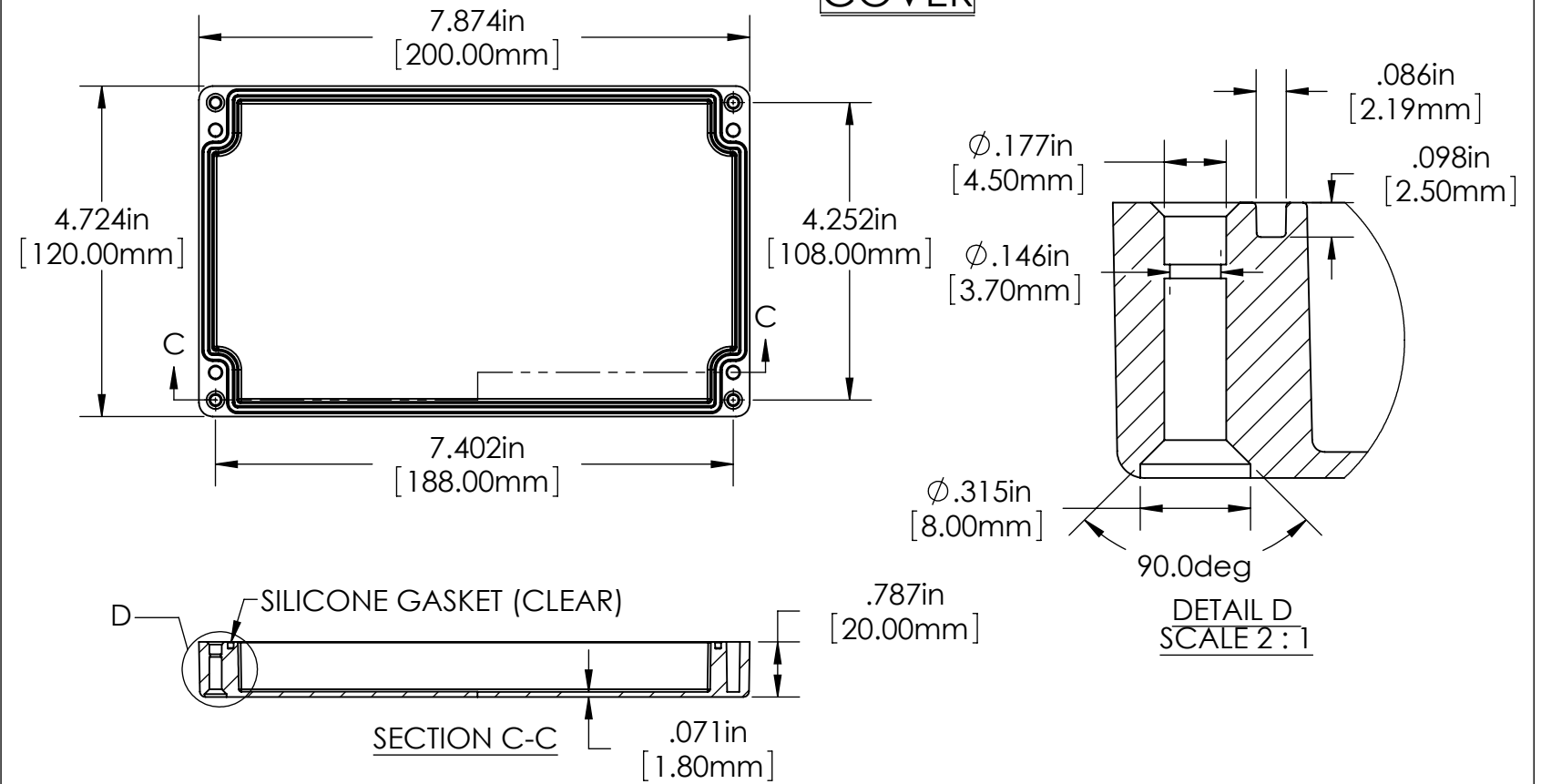


**BODY ASSEMBLY**

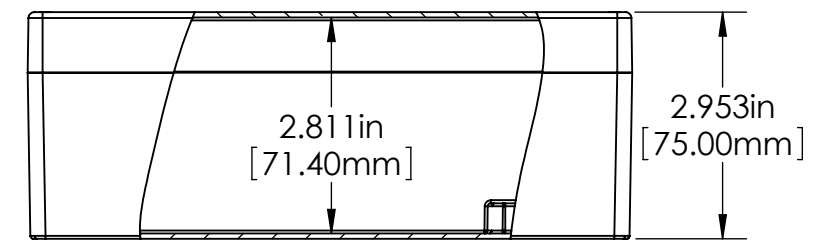
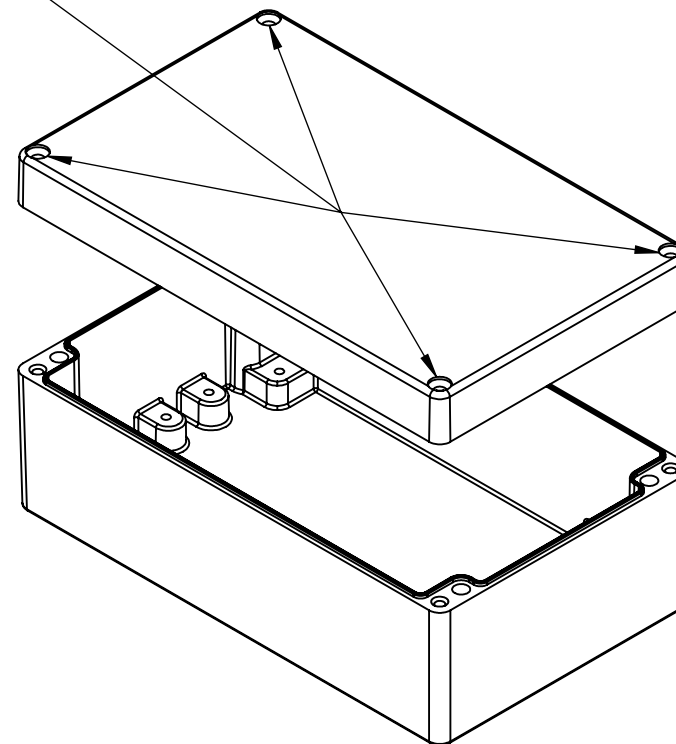
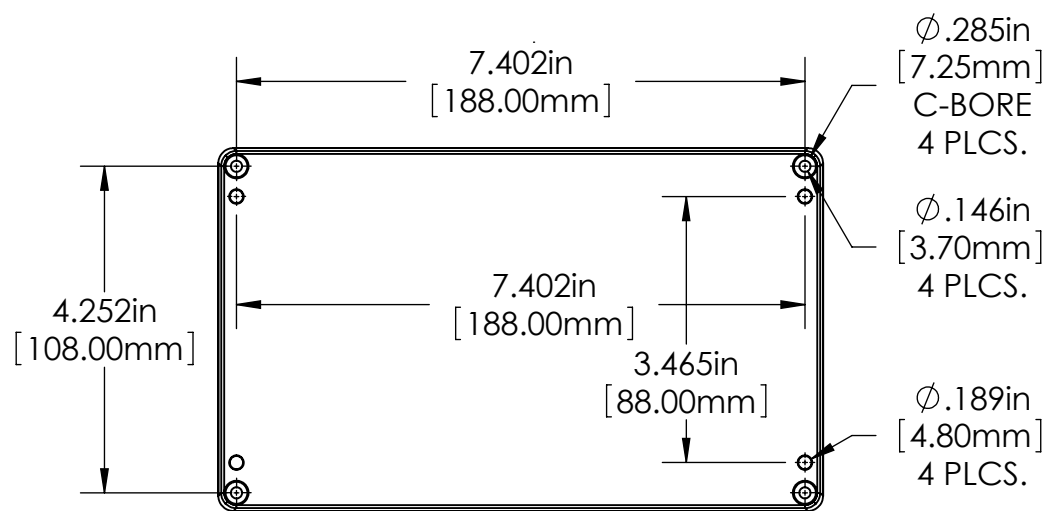


**COVER**



FOUR (4) M4 x 32mm (1.26") LG. FLAT HD. STAINLESS STEEL SCREWS SUPPLIED FOR ASSEMBLY OF COVER

**ASSEMBLY**



MATERIAL: ALUMINUM (ADC-12 ALLOY)  
 FINISH: NATURAL  
 TOLERANCES: ±.015 [±.38]