

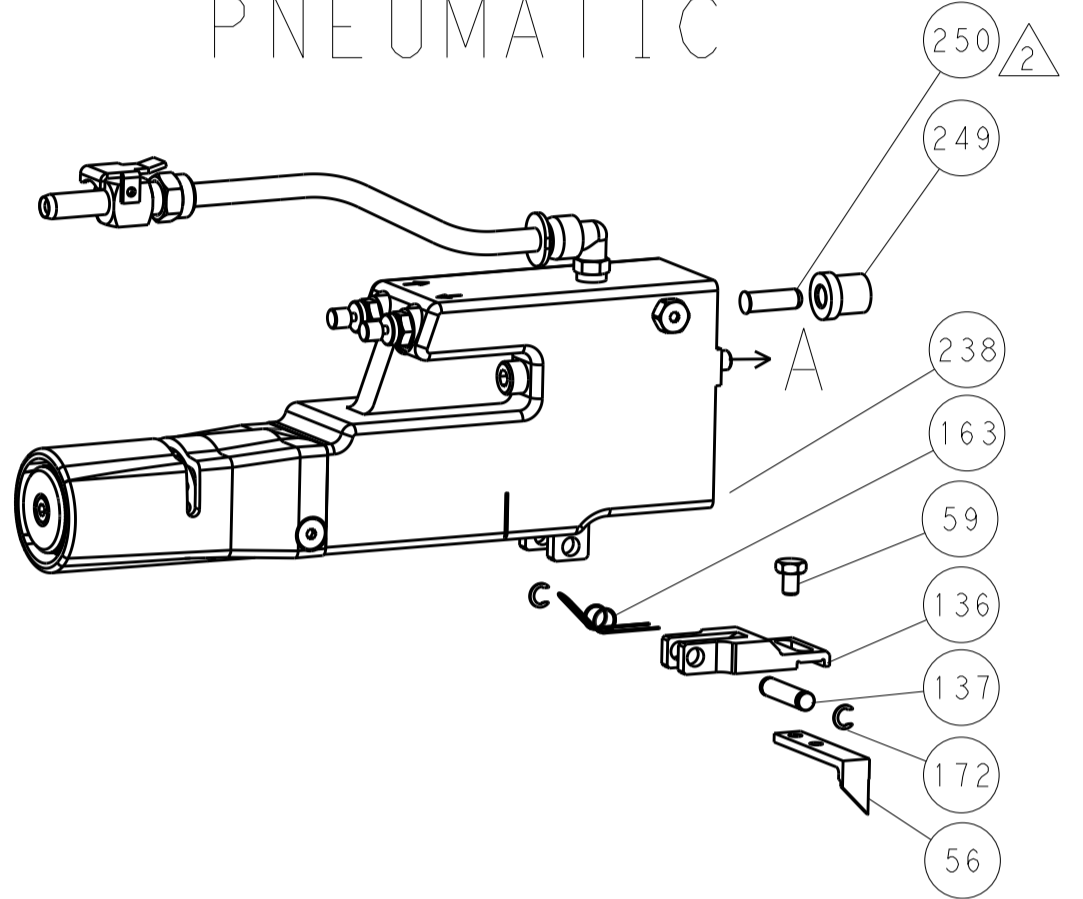


LOC		DIST		REVISIONS			
A	-	P	LTN	DESCRIPTION	DATE	DMN	APVD
		-		SEE SHEET 1			

### FEED TYPE MECHANICAL



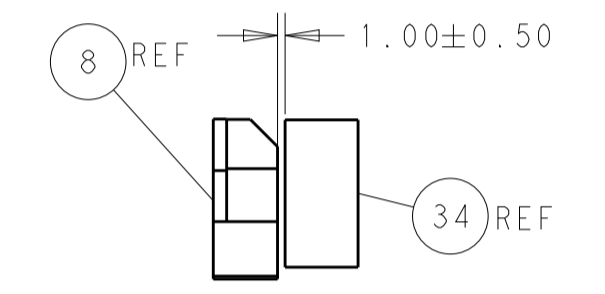
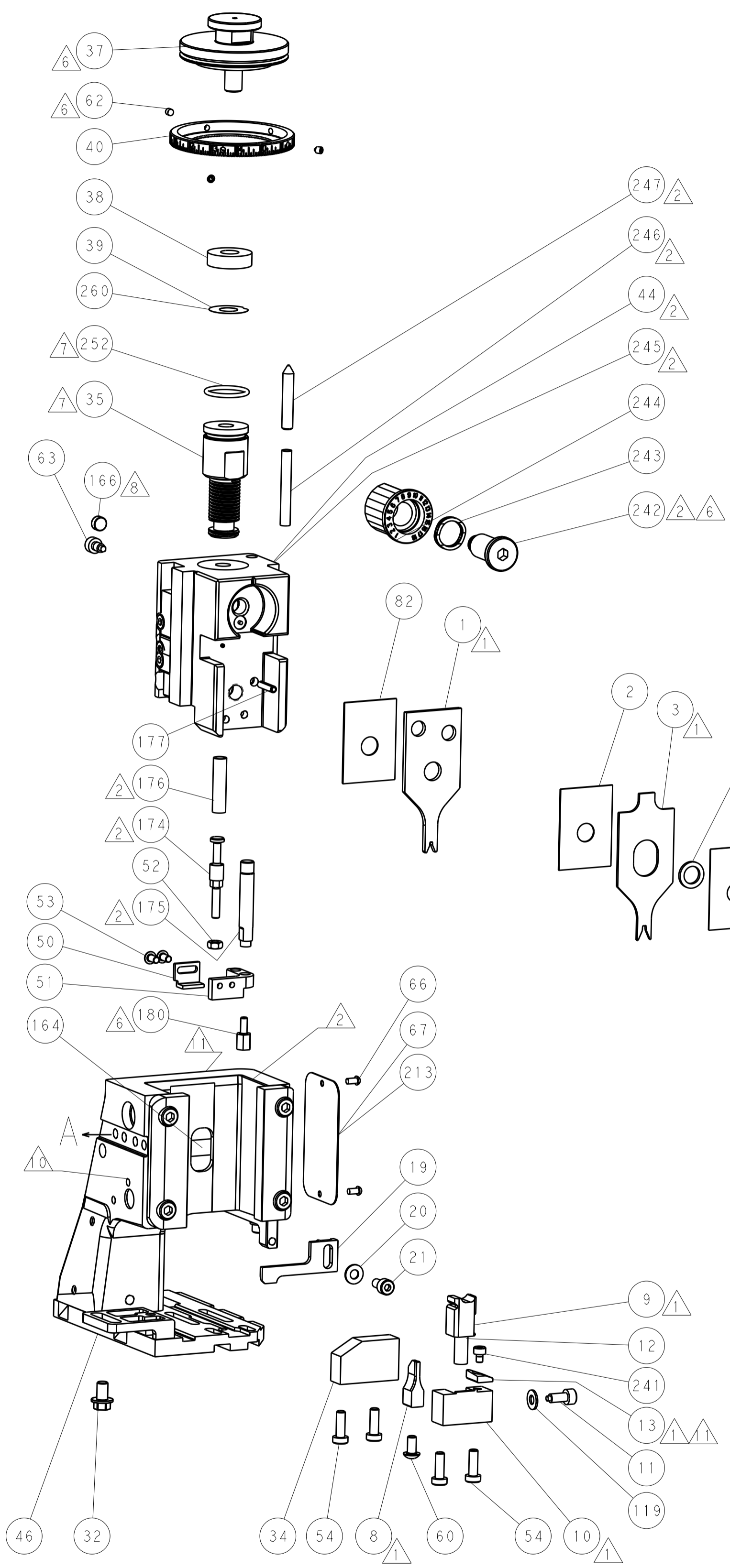
### PNEUMATIC



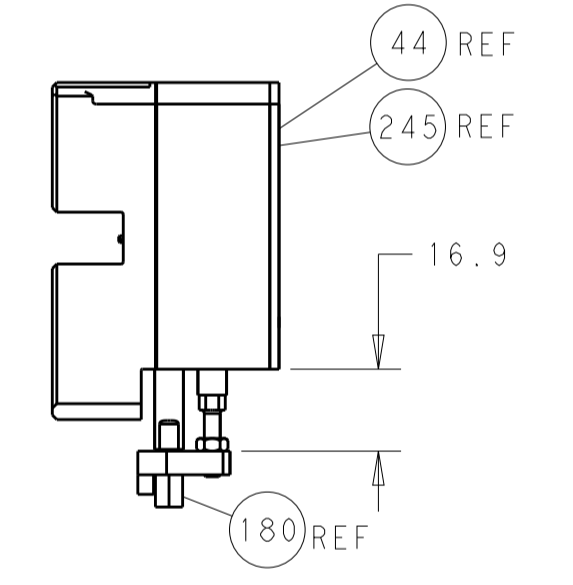
### SERVO LATCH PLATE



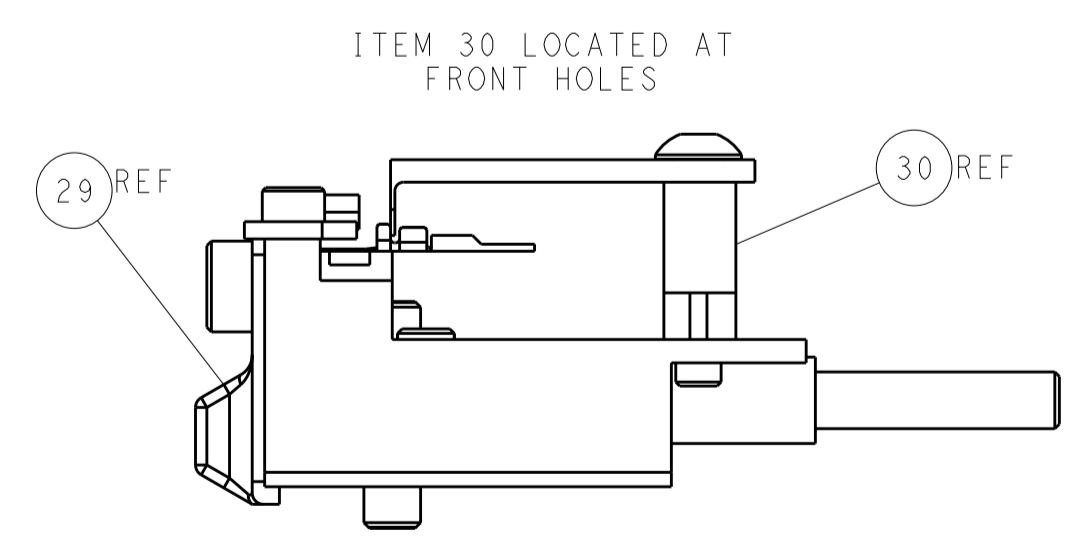
### CAM POSITIONS



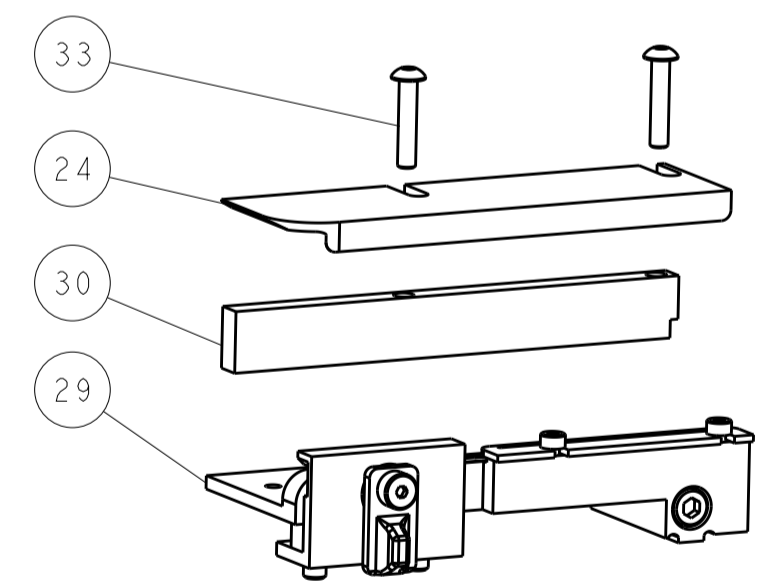
TERMINAL SUPPORT LOCATION



HOLDDOWN SET-UP



FEED TRACK POSITION GUIDE BY INSULATION BARREL

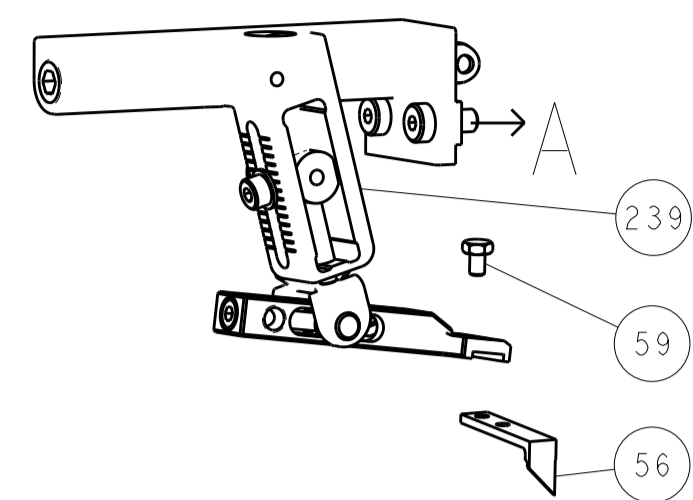


**ATLANTIC VERSION**  
 Shown on sheets 1 of 4 & 2 of 4  
 (Pacific version shown on sheets 3 of 4 & 4 of 4)

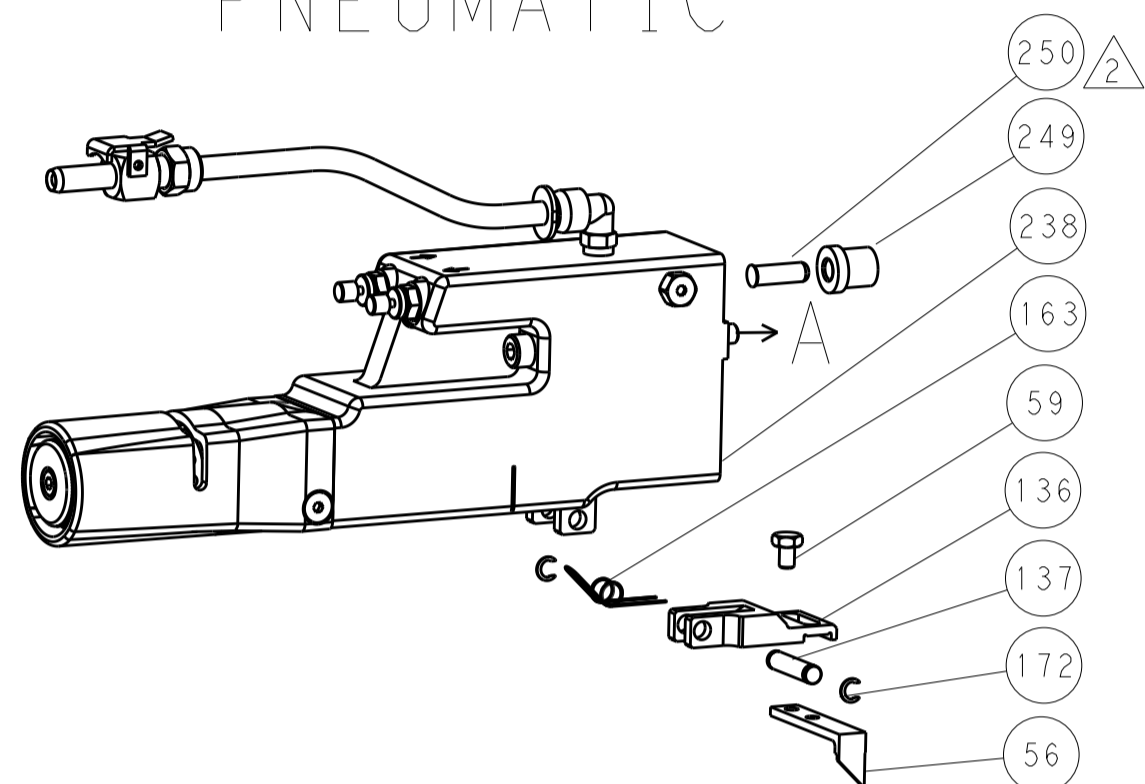
DIMENSIONS: mm 		TOLERANCES UNLESS OTHERWISE SPECIFIED: 0 PLC ± 1 PLC ± 2 PLC ± 3 PLC ± 4 PLC ± ANGLES ±		DWG: R. O. WILSON 10JAN2013 CHK: K. J. STAKEM 14JAN2013 APVD: T. L. ELBIN 15JAN2013 NAME: Ocean Side Feed Applicator SIZE: A1 CAGE CODE: 00779 DRAWING NO: 2151846 RESTRICTED TO: B	
MATERIAL: &matl_spec &matl_desc		FINISH:		WEIGHT: Customer Accessible Production Drawing SCALE: 1:1 SHEET: 1 of 4 REV: B	



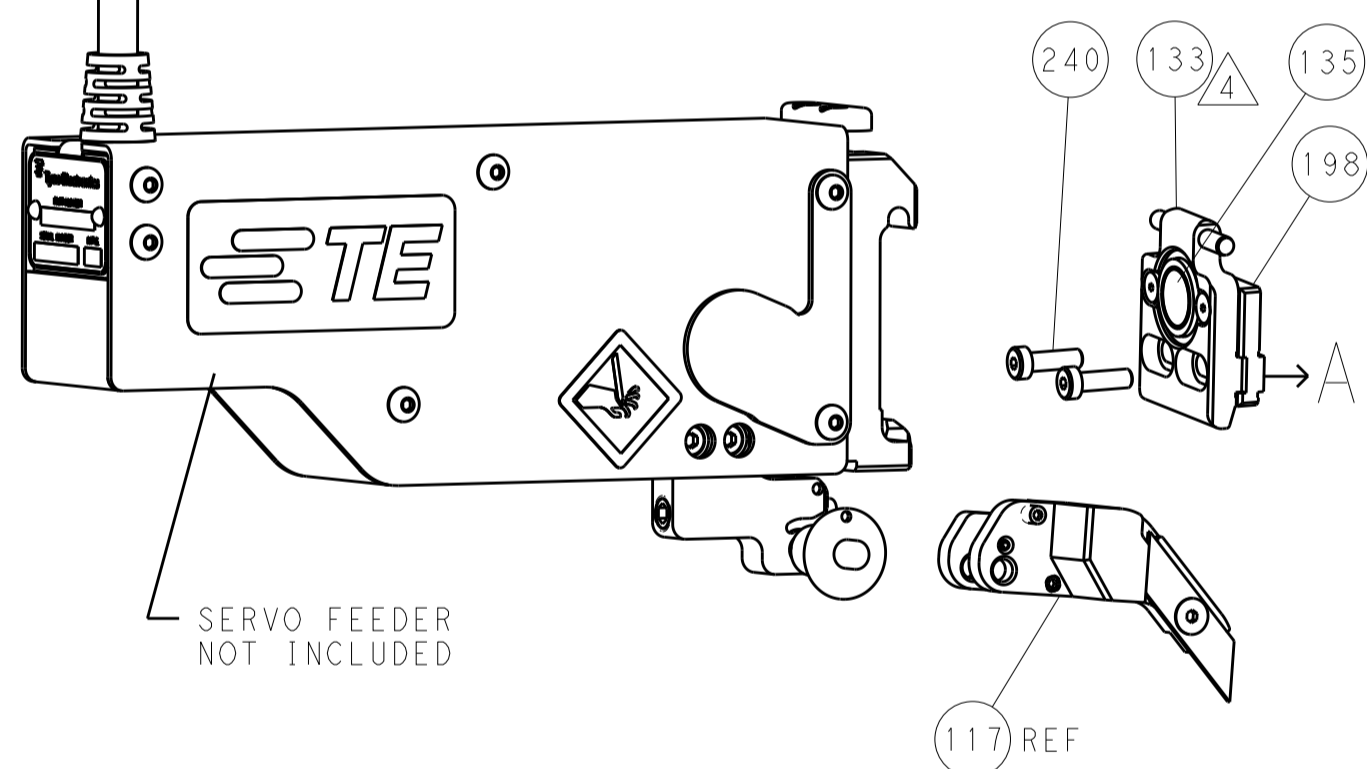
# FEED TYPE MECHANICAL



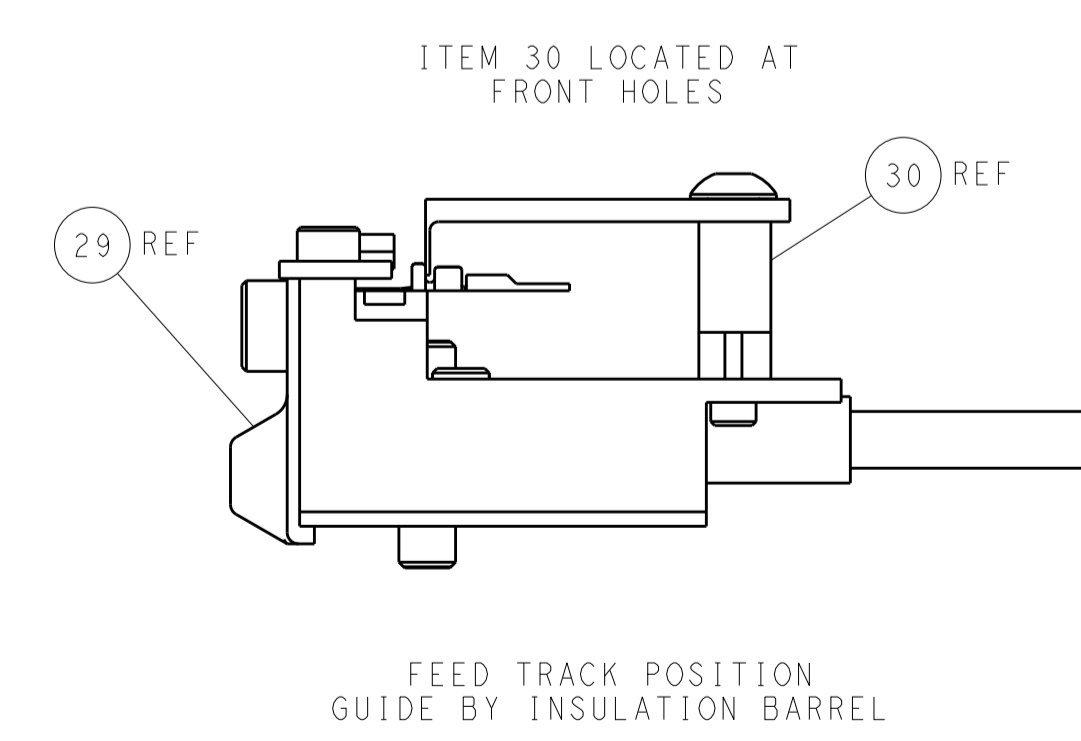
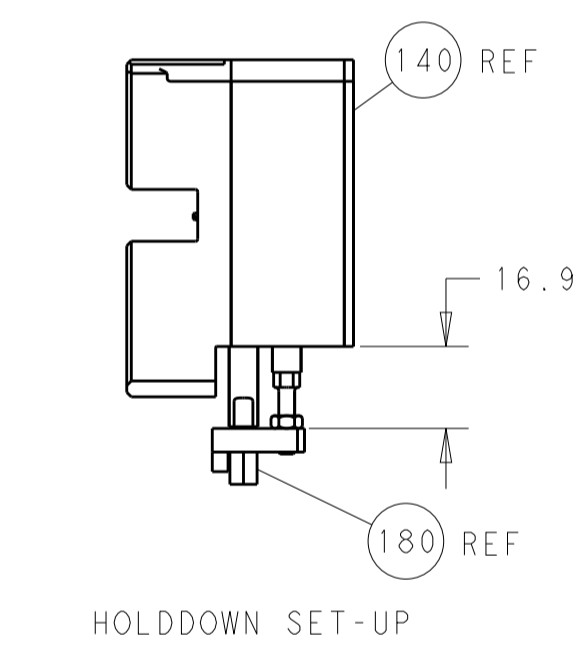
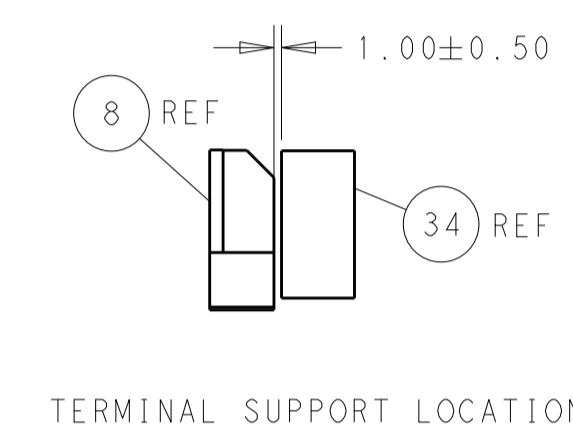
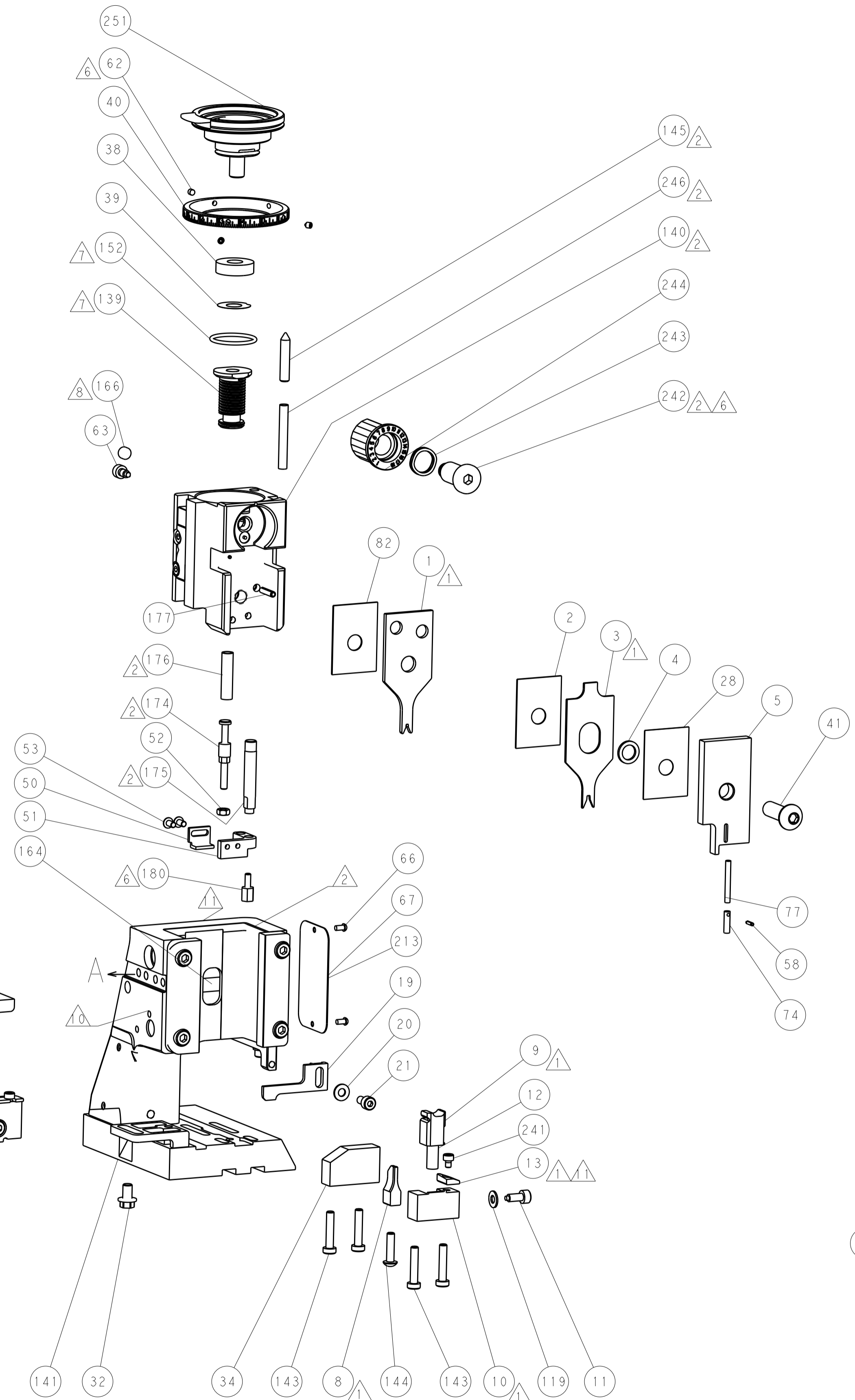
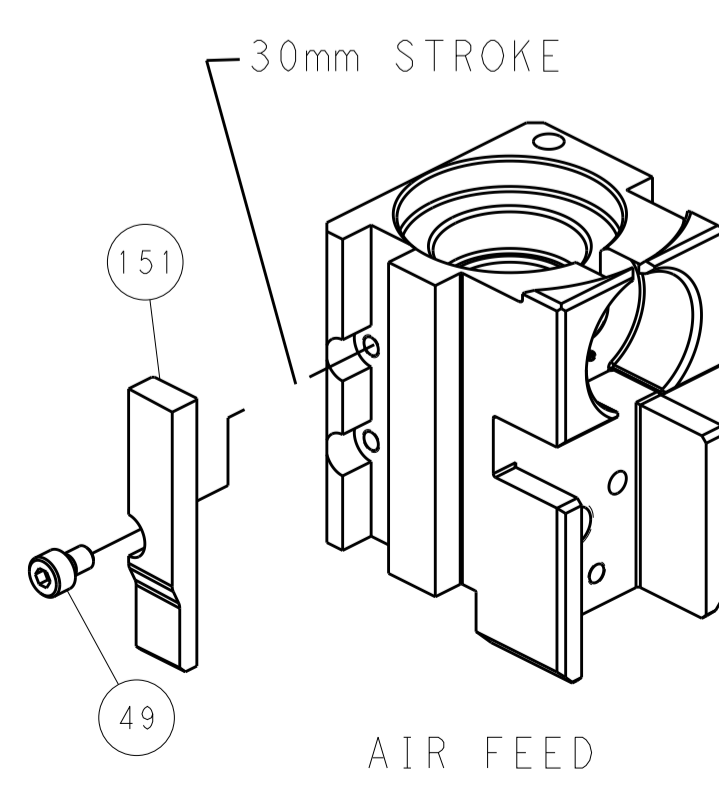
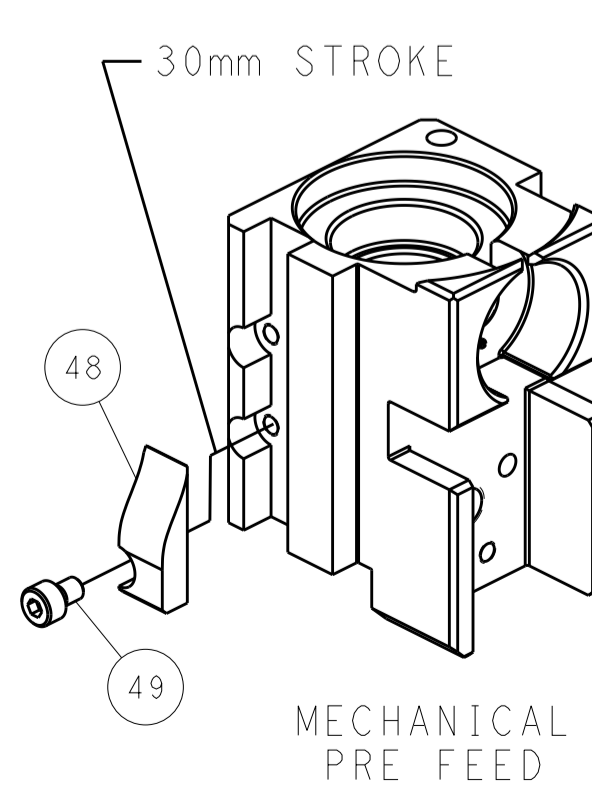
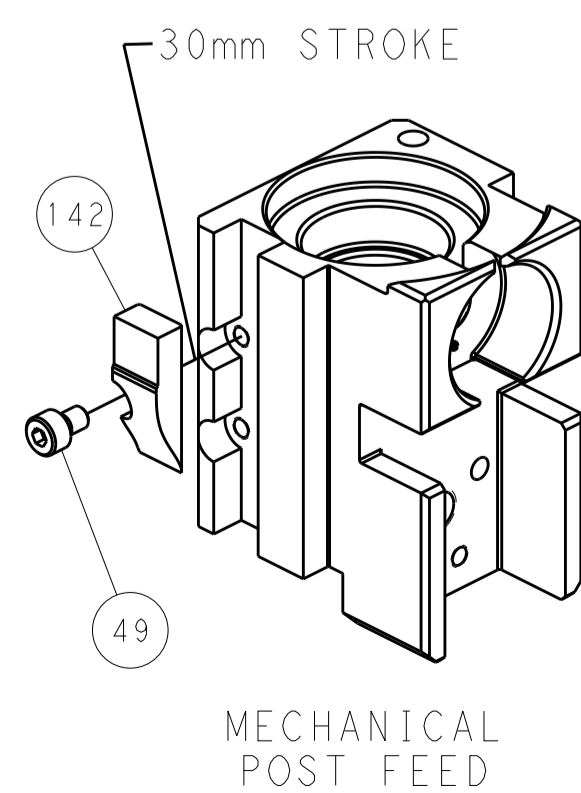
# PNEUMATIC



# SERVO LATCH PLATE



# CAM POSITIONS



**PACIFIC VERSION**  
 Shown on sheets 3 of 4 & 4 of 4  
 (Atlantic version shown on sheets 1 of 4 & 2 of 4)

LOC	DIST	REVISIONS					
		P	LTN	DESCRIPTION	DATE	OWN	APVD
A	-	-	-	SEE SHEET 1	-	-	-

<small>THIS DRAWING IS UNPUBLISHED. IT IS THE PROPERTY OF STE ELECTRONICS CORPORATION. IT IS TO BE USED ONLY FOR THE PROJECT AND THE ORGANIZATION FOR WHICH IT WAS PREPARED. IT IS TO BE DESTROYED OR RECYCLED UPON THE COMPLETION OF THE PROJECT.</small>		DWN: R.O. WILSON 10JAN2013 CHK: K.J. STAKEM 14JAN2013 APVD: T.L. ELBIN 15JAN2013	AMP Incorporated Harrisburg, PA 17105-3608
DIMENSIONS: mm TOLERANCES UNLESS OTHERWISE SPECIFIED: 0 PLC ± 1 PLC ± 2 PLC ± 3 PLC ± 4 PLC ± ANGLES ±		NAME: Ocean Side Feed Applicator PRODUCT SPEC: APPLICATION SPEC: SIZE: A1 CAGE CODE: 00779 DRAWING NO: C=2151846	RESTRICTED TO:
MATERIAL: &small_spec &small_desc FINISH:		WEIGHT: Customer Accessible Production Drawing SCALE: 1:1 SHEET: 1 of 4 REV: B	