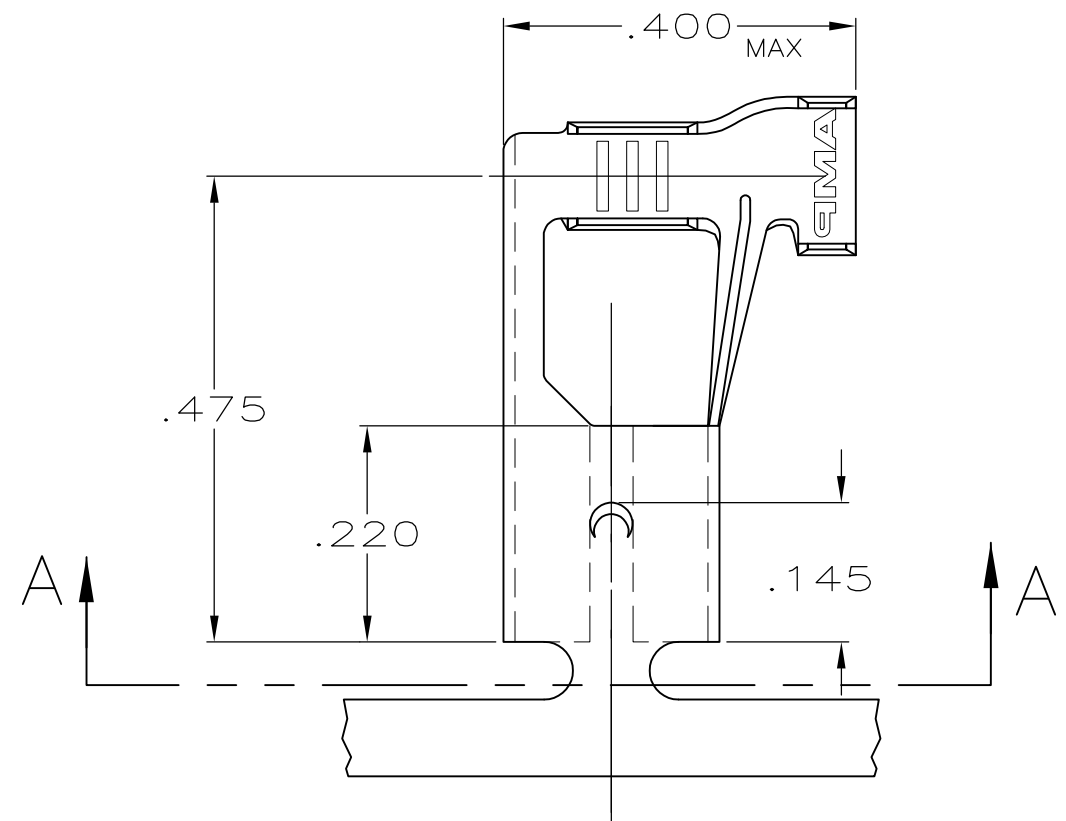
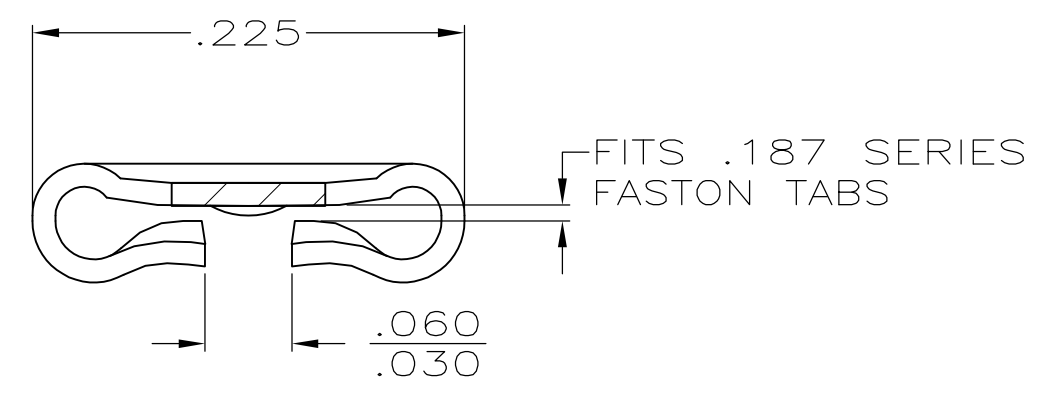


THIS DRAWING IS UNPUBLISHED. RELEASED FOR PUBLICATION
 © COPYRIGHT - By - ALL RIGHTS RESERVED.

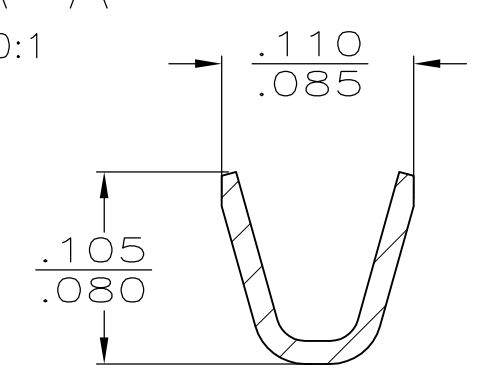
LOC	DIST	REVISIONS			
P	LTR	DESCRIPTION	DATE	DWN	APVD
AF	50	F	REVISED PER ECR-12-013459	28NOV2012	KH PD



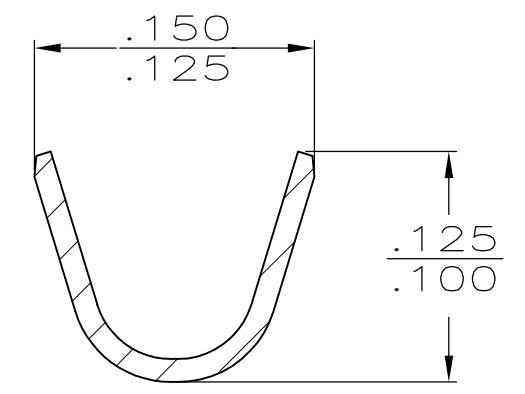
1 CONTINUOUS STRIP ON REELS.



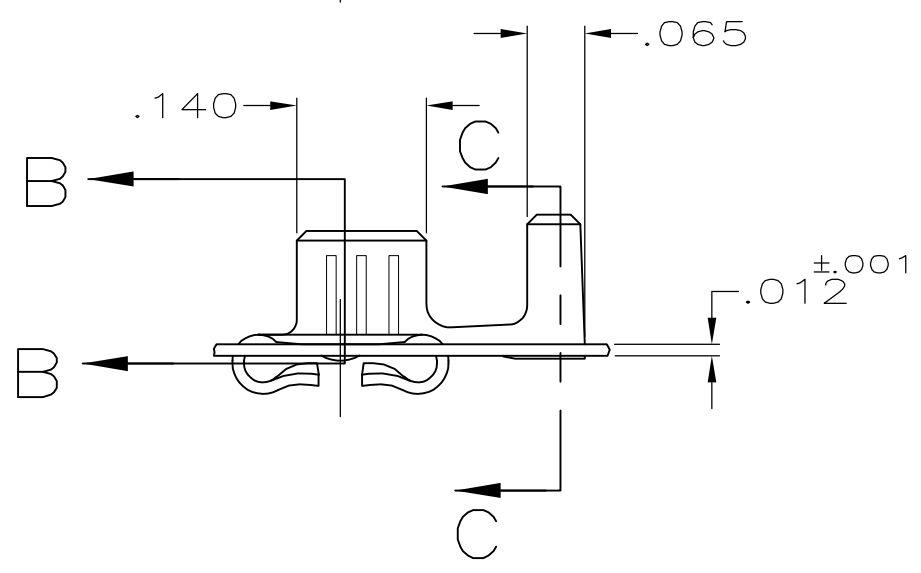
SECTION A-A
SCALE 10:1



SECTION B-B
SCALE 10:1



SECTION C-C
SCALE 10:1



.060-.090 DIA	22-18 AWG	TIN	.020	62085-2
INSULATION RANGE	WIRE SIZE	FINISH	MATING TAB THK #.001	62085-1
				PART NO

THIS DRAWING IS A CONTROLLED DOCUMENT.		DWN JR RUTH 11/5/91	TE Connectivity RECEPTACLE, FASTON, FLAG, .187 SERIES			
DIMENSIONS: INCHES		CHK MS FEHER 11/5/91				
TOLERANCES UNLESS OTHERWISE SPECIFIED:		APVD C MEYERS 11/5/91				
0 PLC ± - 1 PLC ± - 2 PLC ± - 3 PLC ± .015 4 PLC ± - ANGLES ± -		NAME				
MATERIAL BRASS		FINISH SEE TABLE	PRODUCT SPEC -	APPLICATION SPEC -	WEIGHT -	
CUSTOMER DRAWING			SIZE A3	CAGE CODE 00779	DRAWING NO C-62085	RESTRICTED TO -
			SCALE 5:1	SHEET 1 OF 1	REV F	