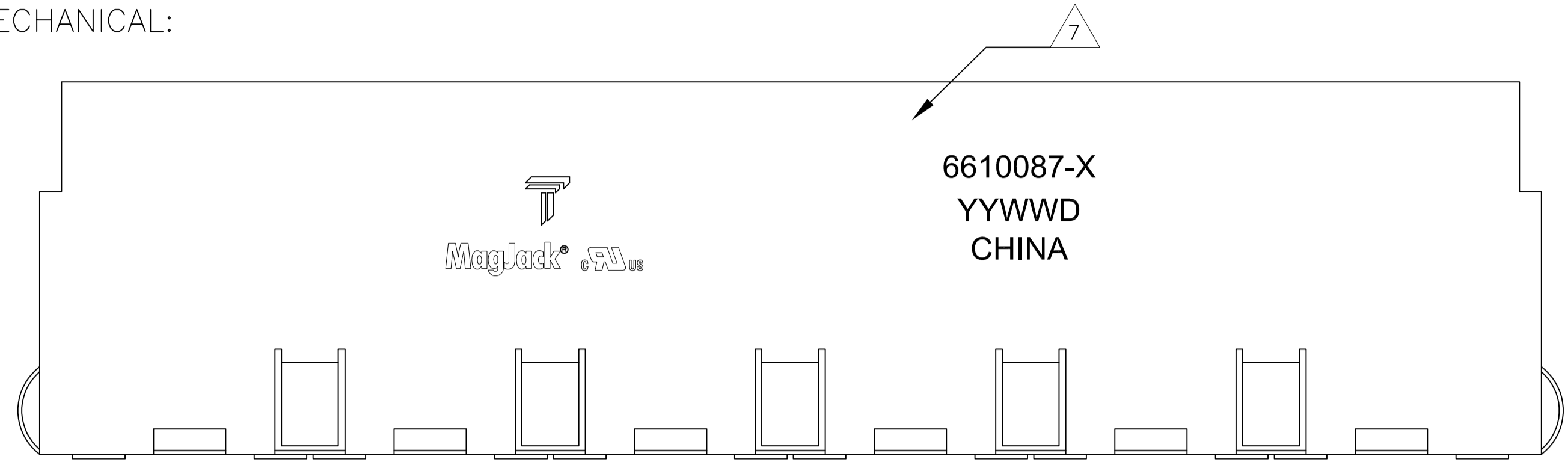


THIS DRAWING AND THE SUBJECT MATTER SHOWN THEREON ARE CONFIDENTIAL AND THE PROPERTY OF BEL/STEWART/TRP CONNECTOR AND SHALL NOT BE REPRODUCED, COPIED, OR USED IN ANY MANNER WITHOUT THE WRITTEN CONSENT OF TRP CONNECTOR.

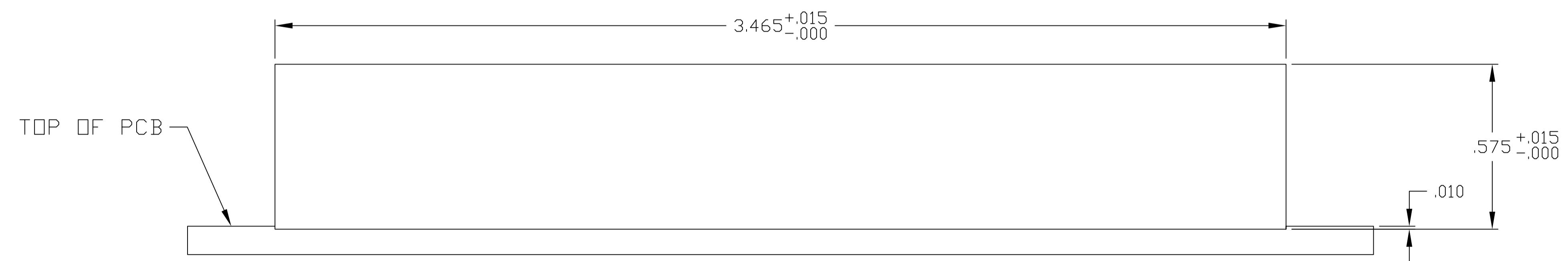
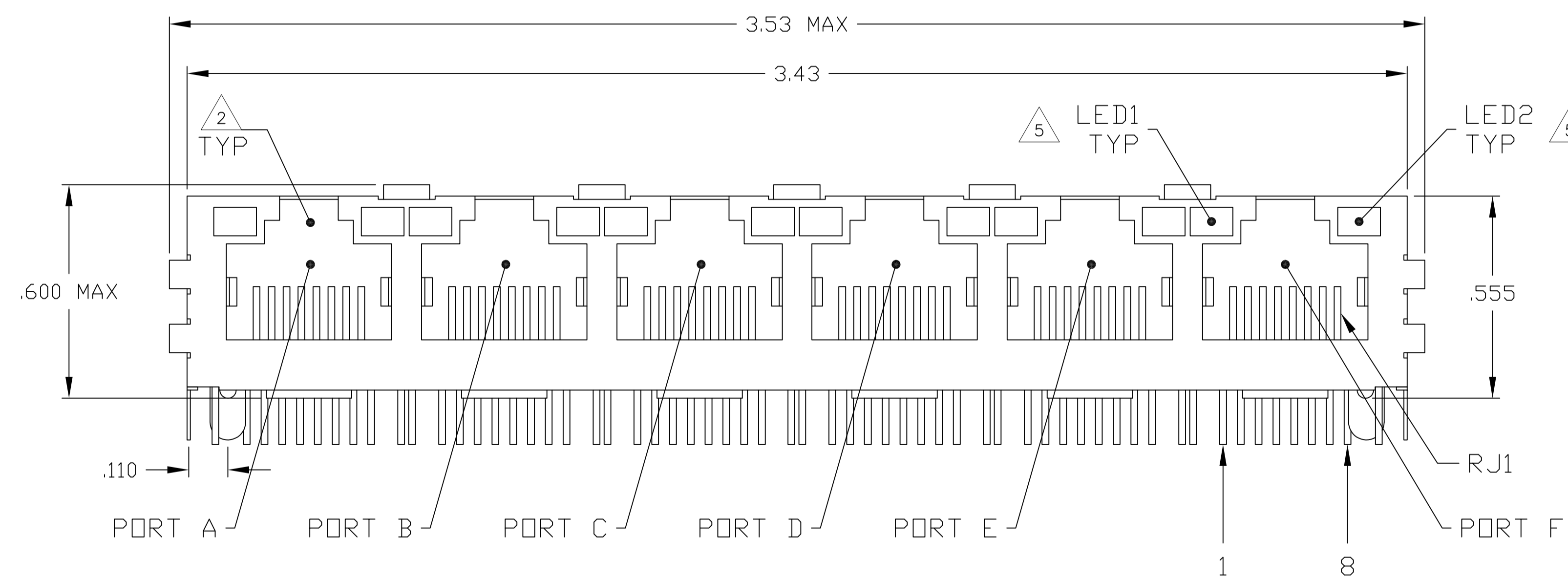
PRODUCT MAY BE PROTECTED BY ONE OR MORE OF THE FOLLOWING US PATENTS:  
 5736910 5939955 6425781 6428361 6554638 6840817 7123117  
 7429195 7717749 7808751 6217391 6149050 7924130

REVISIONS						
P	LN	REV	DESCRIPTION	DATE	DWN	APPD
F			EC-1411035 COMPANY LOGO CHANGE	05JAN2015	DZ	TL

MECHANICAL:



- 1 MATERIALS:  
 -HOUSING - THERMOPLASTIC PET POLYESTER FLAMMABILITY RATING UL 94V-0  
 -SHIELD - .010" THICK, C26800 BRASS PREPLATED WITH 30μINCH MIN SEMI-BRIGHT NICKEL. SOLDER TABS POST DIPPED WITH 100μINCH MIN SAC SOLDER.  
 -MOD JACK CONTACTS - 0.0157 X 0.018" PHOSPHOR BRONZE, 50μINCH MIN OVERALL NICKEL UNDERPLATE WITH SELECT 50μINCH MIN HARD GOLD FINISH PLATE  
 SOLDER TAILS WITH 100μINCH MIN MATTE TIN AND/OR SAC SOLDER DIP  
 -LIGHT EMITTING DIODE(LED) - DIFFUSED EPOXY LENS, .020" X .020" CARBON STEEL WIREFRAME LEADS PRE-PLATED WITH 80μINCH SILVER OVER 40μINCH NICKEL UNDERPLATE OVER 40μINCH COPPER UNDERPLATE. POST-PLATED WITH 100μIN MIN MATTE TIN AND/OR SAC SOLDER DIP OR PURE TIN SOLDER DIP.
- 2 RJ45 JACK CAVITY CONFORMS TO FCC RULES AND REGULATIONS PART 68, SUB PART F.
- 3 MAGNETICS  
 -IMPEDANCE: 100 OHMS  
 -TURNS RATIO (CHIP-CABLE): TX = 11, RX = 11  
 -OPEN CIRCUIT INDUCTANCE (OCL): 350μH MIN @100kHz, 0.1VRMS, 8mADC BIAS FROM 0°C TO 70°C, TX AND RX  
 -PERFORMANCE @ 25°C:  
 INSERTION LOSS (IL): 1.1dB MAX FROM 0.5MHz TO 100MHz  
 RETURN LOSS (RL): 18dB MIN FROM 0.5MHz TO 30MHz  
 18-20LOG(f/30)dB MIN FROM 30.1MHz TO 60MHz  
 12dB MIN FROM 60.1MHz TO 80MHz  
 CROSSTALK ATTENUATION: 35dB MIN FROM 0.5MHz TO 40MHz  
 33-20\*LOG(f/50)dB MIN FROM 40.1MHz TO 100MHz  
 COMMON MODE REJECTION RATIO (CMRR): 30dB MIN FROM 0.5MHz TO 100MHz  
 -ISOLATION VOLTAGE: 2250VDC (MAX) FOR 60 SECONDS WITH A RISE TIME OF 500V/SEC AND WITH ALL PORTS CONNECTED.
- 4. OPERATING TEMPERATURE: FROM 0°C TO +70°C.
- 5 THE 250 OHM LED RESISTORS ARE OPTIONAL, PLEASE SEE CHART FOR PRESENCE OR ABSENCE OF LED RESISTORS. IF THE LED WITHOUT 250 OHM RESISTORS, LED IS DRIVEN WITH CONSTANT CURRENT AT APPROX 20mA.  
 LED COLOR: DOMINANT WAVELENGTH (λD): GREEN 568 nm TYP. @ IF=20mA  
 FORWARD VOLTAGE (VF): GREEN 2.2V TYP. @ IF=20mA  
 IF THE LED WITH 250 OHM RESISTORS, LED IS DRIVEN WITH 5V VOLTAGE AND THE MAX OPERATING CURRENT IS 20mA.  
 LED COLOR: DOMINANT WAVELENGTH (λD): GREEN 568 nm TYP. @ VF=5V  
 FORWARD CURRENT (IF): GREEN 12 mA TYP. @ VF=5V
- 6 INDICATED CONNECTIONS ARE FOR HUB CONFIGURATION. THE MAGNETICS ARE SYMMETRICAL AND SUPPORT AUTO-MDIX/MDIX.
- 7 TRP CONNECTOR LOGO, PART NUMBER, DATE CODE, COUNTRY OF ORIGIN AND AGENCY APPROVAL MARKING IN APPROXIMATE LOCATION SHOWN.
- 8. THESE PARTS ARE RECOMMENDED FOR WAVE SOLDERING PROCESS, PREHEAT TEMPERATURE IS 120°C TO 160°C, 120 SECONDS TO 180 SECONDS, PEAK WAVE SOLDERING TEMPERATURE IS 260°C MAX, 10 SECONDS MAX.



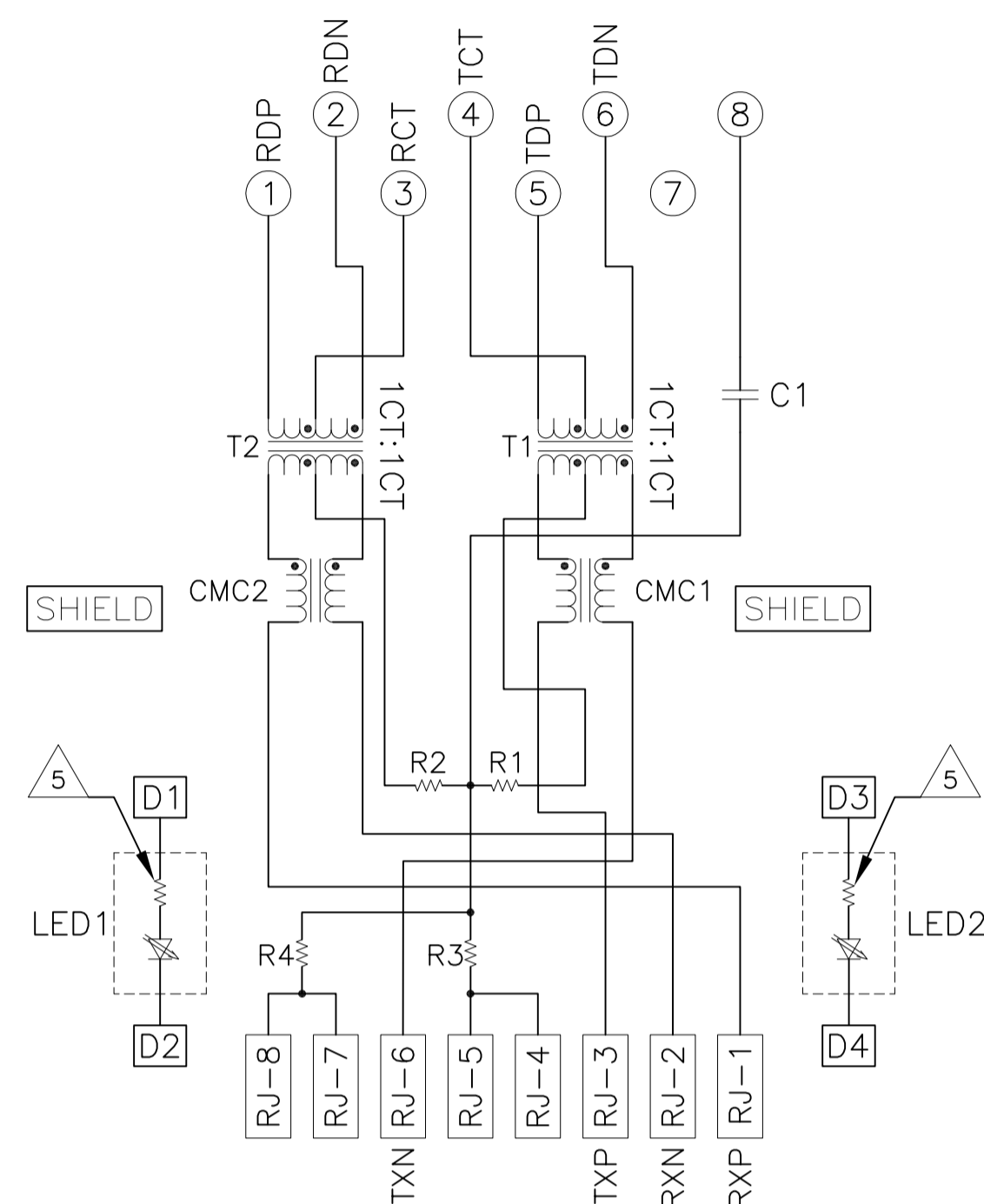
1X6 SUGGESTED PANEL CUTOUT

YES	GREEN	YES	GREEN	6-6610087-1
NO	GREEN	NO	GREEN	6610087-7
250 OHMS RESISTOR 5	LED1	250 OHMS RESISTOR 5	LED2	PART NUMBER

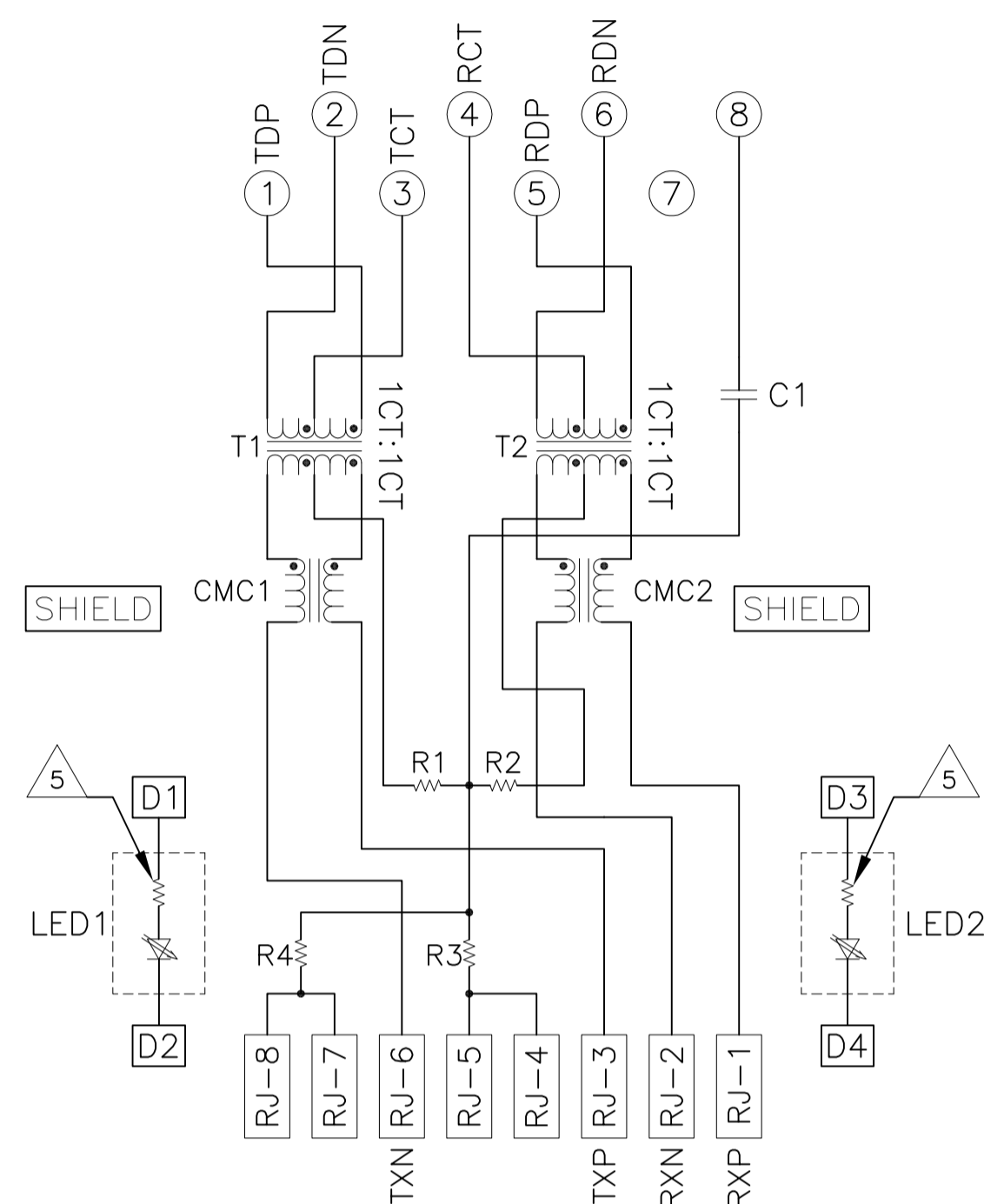
THIS DRAWING IS A CONTROLLED DOCUMENT.

DWN L. VARELA - 17MAR2005	CHK D. FAROLE - 17MAR2005	APPR D. FAROLE - 17MAR2005	TRP CONNECTOR DONGGUAN CHINA
DIMENSIONS: INCHES		TOLERANCES UNLESS OTHERWISE SPECIFIED:	MODEL NAME
0 PLC ± - 1 PLC ± - 2 PLC ± .010 3 PLC ± .005 4 PLC ± - ANGLES ± -		PRODUCT SPEC: 108-2100	MAGJACK GANG NON-POE
1X6 766K1 10/100 TAB UP W/ LED SIZE: A1 CAGE CODE: C-6610087 DRAWING NO: 6610087		SCALE: NTS	SHEET 1 OF 2 REV F

766K1 SERIES MAGNETIC CIRCUIT  $\triangle 3 \triangle 6$   
 PORTS A,C,E

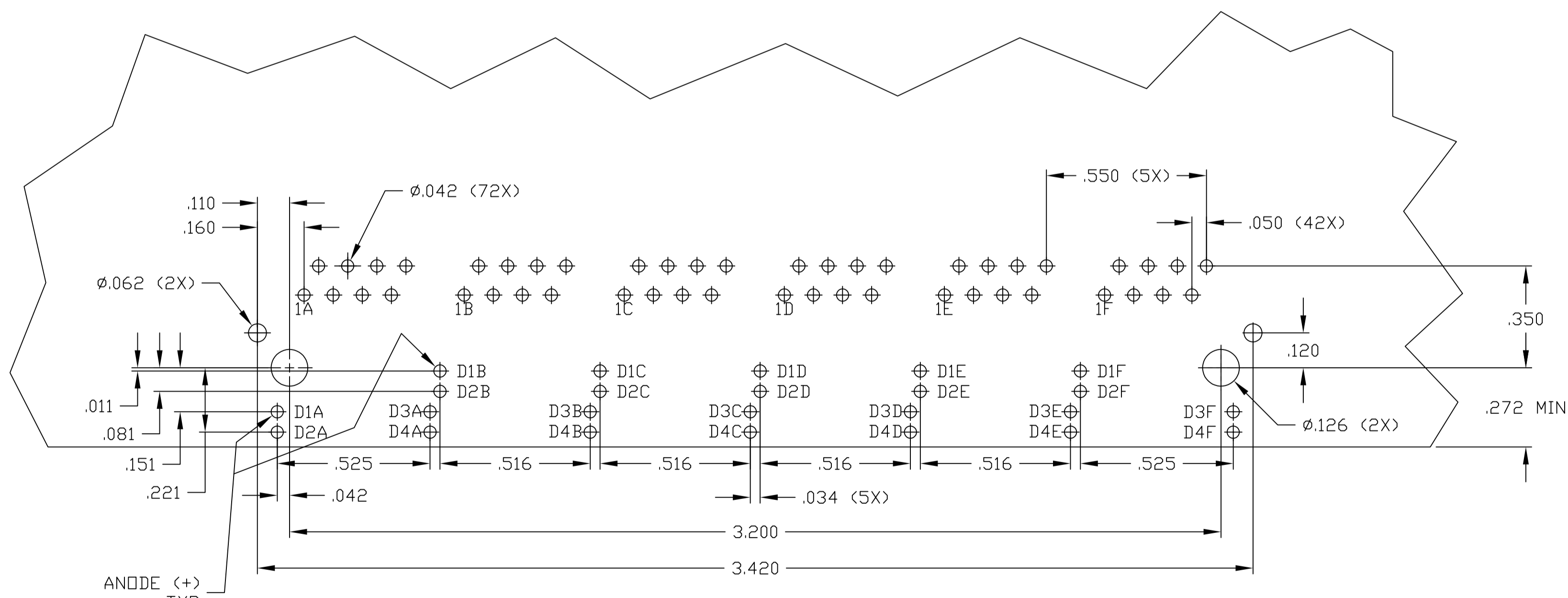
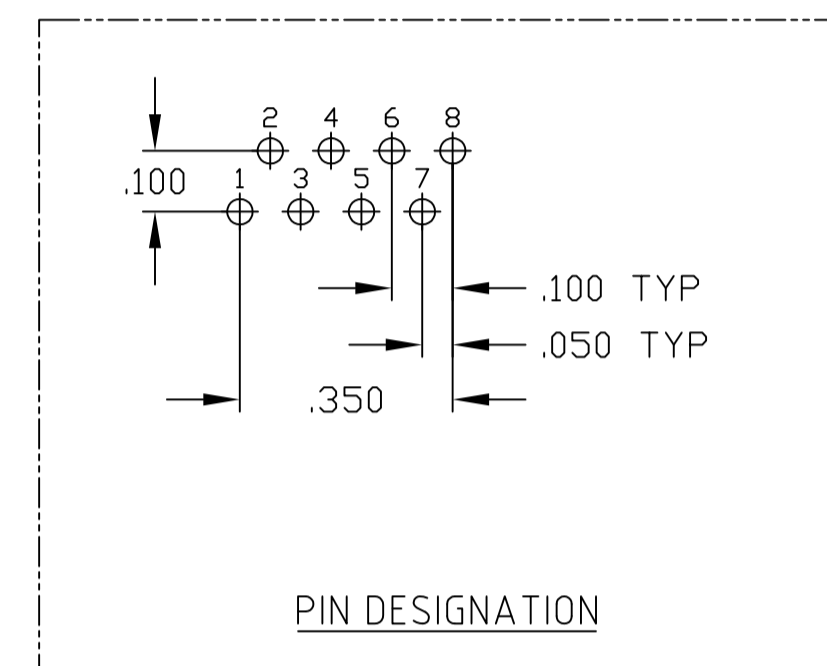


766K1 SERIES MAGNETIC CIRCUIT  $\triangle 3 \triangle 6$   
 PORTS B,D,F



C1 = 1000pF, 3 kV CAPACITOR

R1-R4 = 75 OHMS, 1/16W RESISTORS



SUGGESTED PCB LAYOUT  
 (COMPONENT SIDE)

THIS DRAWING IS A CONTROLLED DOCUMENT.		DWN L VARELA - 17MAR2005 CHK D FAROLE 17MAR2005 APFD D FAROLE 17MAR2005 MODEL NAME MAGJACK GANG NON-POE	DONGGUAN CHINA 1X6 766K1 10/100 TAB UP W/ LED SIZE A1 CAGE CODE DRAWING NO C-6610087 RESTRICTED TO CUSTOMER DRAWING
DIMENSIONS: INCHES 	TOLERANCES UNLESS OTHERWISE SPECIFIED: 0 PLC ± - 1 PLC ± - 2 PLC ± .010 3 PLC ± .005 4 PLC ± - ANGLES ± - APPLICATION SPEC	DESC SIZE CAGE CODE DRAWING NO RESTRICTED TO	SCALE NTS SHEET 2 OF 2 REV F
PRODUCT SPEC 108-2100	APPLICATION SPEC	RESTRICTED TO	SCALE NTS SHEET 2 OF 2 REV F