

SPECIFICATIONS

(RoHS Compliant)



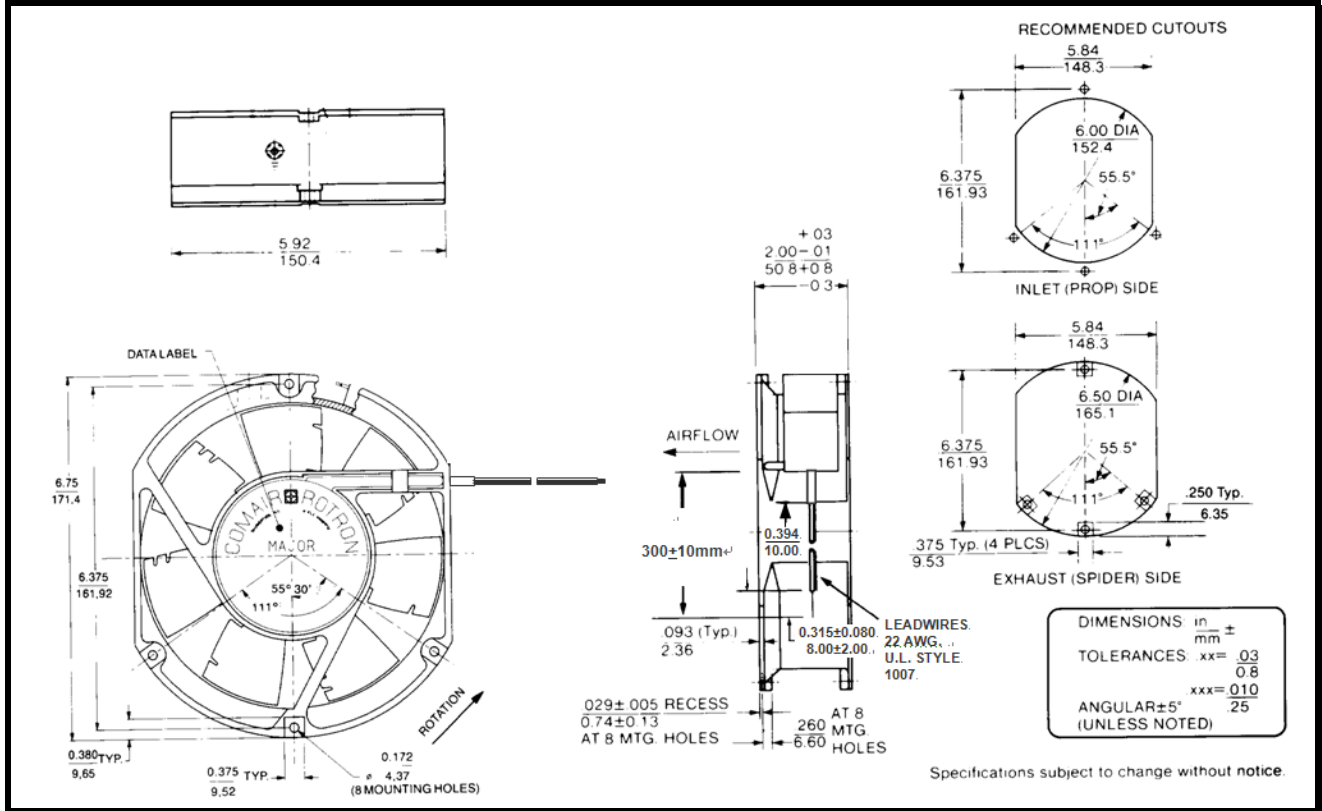
Model Number: JQD24C3E6

Version: 00

Part Number: 16005460A

Apr 18, 2017

Mechanical Drawing:



Motor:

Nominal Voltage	= 24 vdc
Operating Voltage Range	= 16 - 32 vdc
Nominal Running Current	= 0.60 amps
Locked Rotor Current	= 1.00 amps
Running Power	= 14.4 watts
Average Speed	= 3000 rpm
Bearings	= Ball
Air Flow at Full Speed	= 200 cfm
Acoustics at Full Speed	= 50.8dBA

Construction:

Venturi:	Die-cast aluminum, Black
Propeller:	Plastic, Black, UL 94V-0

Agency Approvals:

UL, CE

Life Expectancy:

This fan is designed for continuous duty life of 75,000 hours at 40°C

Additional Features:

Brushless DC Motor	
Polarity Protected	
Locked Rotor Protection	
Automatic Restart Capability	
Operating Temperature:	-10°C to 70°C
Storage Temperature:	-40°C to 85°C

Tachometer:

Output:	Open Collector
I _c :	20mA Max
V _{cc} :	32vdc Max
Pulse per Revolution:	2
Isolated:	No

Speed Control:

PWM: 100 ~ 20 KHz, 2.8 ~ 20 V TTL

<5% Duty: Off

5%~95% Duty: Linear Ramp

>95% Duty or Open Lead Wire: Full Speed

Termination:

12" Lead wires, AWG 22, UL 1061

Red - Power (+)

Black - Return (-)

Blue/White - Tachometer (Output)

Yellow - Program (Input)