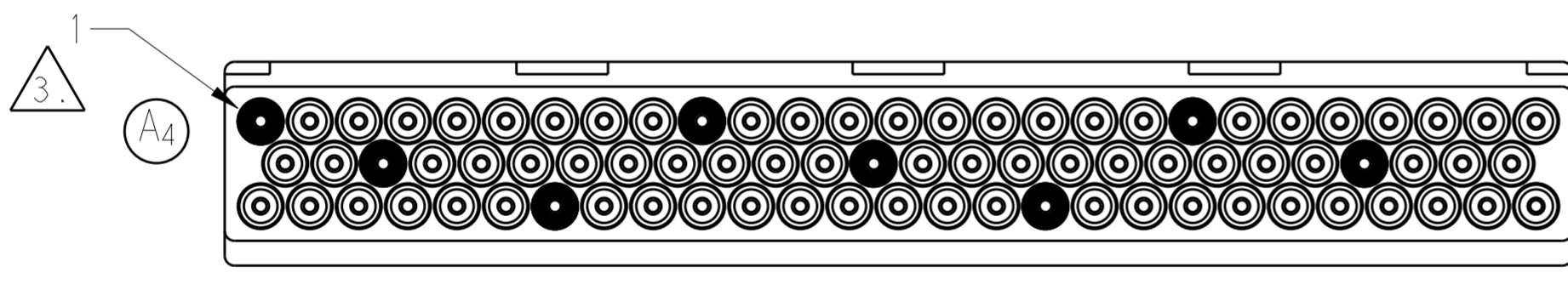
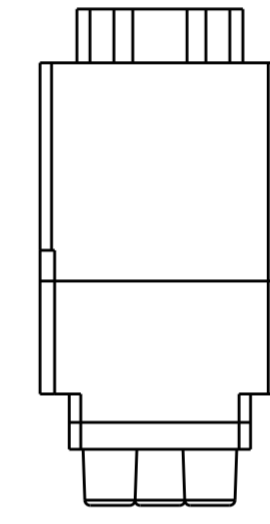
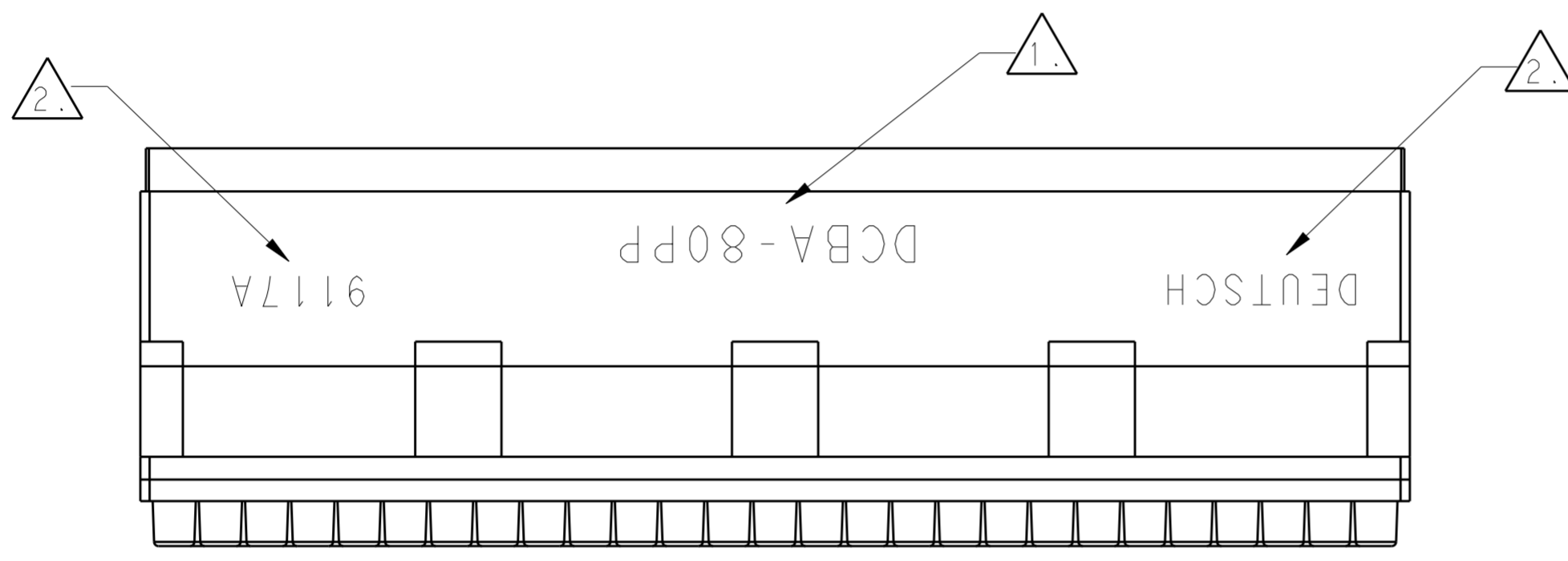
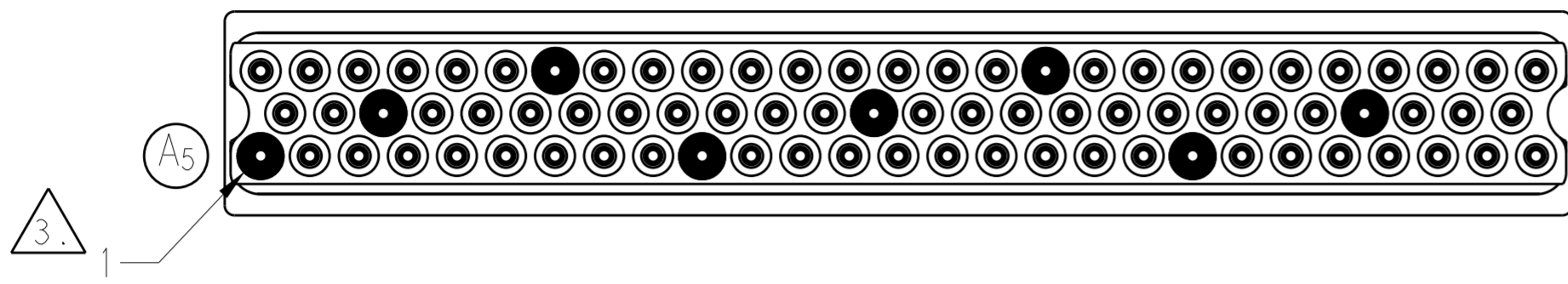


THIS DRAWING IS UNPUBLISHED. RELEASED FOR PUBLICATION 20  
 © COPYRIGHT 20 BY - ALL RIGHTS RESERVED.

PROPERTY OF TE CONNECTIVITY  
 THIS INFORMATION IS CONFIDENTIAL AND PROPRIETARY TO TYCO ELECTRONICS CORPORATION  
 AND ITS WORLDWIDE SUBSIDIARIES AND AFFILIATES (TE). IT MAY NOT BE DISCLOSED TO  
 ANYONE, OTHER THAN TE PERSONNEL, WITHOUT AUTHORIZATION FROM TE (www.TE.com).

| LOC |     | DIST                      |        | REVISIONS |      |  |  |
|-----|-----|---------------------------|--------|-----------|------|--|--|
| P   | LTR | DESCRIPTION               | DATE   | DWN       | APVD |  |  |
| N/C |     | NEW RELEASE PER EO A11967 | 911101 | TH        | JP   |  |  |
| A   |     | REVISED PER ECO-15-004066 | 150313 | SS        | MA   |  |  |



3. MARK CAVITY IDENTIFICATION AS INDICATED ON CAVITIES 1, 10, 20, 30, 40, 50, 60 AND 70 PER DPS 1-141-21 COLOR WHITE. (A3)

2. MARK DEUTSCH AND DATE CODE ON SURFACE INDICATED PER DPS 1-141-18, CLASS II, TYPE III (WHITE). (A2)

1. MARK PART IDENTIFICATION AS SHOWN PER DPS 1-141-18. CLASS II (WHITE), TYPE III, CHARACTERS TO BE CENTERED AS SHOWN. (A1)

NOTES: UNLESS OTHERWISE SPECIFIED.

|   |  |                             |  |                           |
|---|--|-----------------------------|--|---------------------------|
| THIS DRAWING IS A CONTROLLED DOCUMENT.  |  | DWN<br>T. HOLT<br>910522    | TE Connectivity  |                           |
| DIMENSIONS:<br>INCHES   |  | CHK<br>J. POWELL<br>911101  |  |                           |
| TOLERANCES UNLESS OTHERWISE SPECIFIED:  |  | APVD<br>J. POWELL<br>911101 | NAME<br>MODULE, PIN ABC CONNECTOR<br>80 SIZE 22 CAVITIES<br>DCBA POSITION PLUG MARKING DWG |                           |
| 0 PLC ±-<br>1 PLC ±.1<br>2 PLC ±.01<br>3 PLC ±.005<br>4 PLC ±.0005<br>ANGLES ±.5°<br>FINISH |  | PRODUCT SPEC<br>-           | SIZE<br>A2   |                           |
| MATERIAL<br>-   |  | APPLICATION SPEC<br>-       | CAGE CODE<br>-   | DRAWING NO<br>G-DCBA-80PP |
|   |  | WEIGHT<br>-                 | RESTRICTED TO<br>-   | SCALE<br>NONE             |
|   |  | Customer Drawing            | SHEET 1 OF 1   | REV A                     |