

D X X S 3 3 E 6 X X 0 9 L F

SEE NOTE RoHS

SERIES

NO.OF CONTACTS

09,15,25,37

TYPE OF CONTACTS

S-SOCKET

TYPE OF TERMINATION

33-ANGLED SPILL

PITCH 2.84 USA

FOOT PRINT 8.08 USA

HEIGHT OF TERMINATION

E-2.00mm COMPATIBLE FOR 1.6mm PCB

RoHS INFORMATIONS

"This LF product meets European Union Directives and other country regulations as described in GS-22-008"

The housing will withstand exposure to 260°C peak temperature for 30 seconds in a convection,infra-red or vapor reflow oven solder application.

Packaging as per GS-14-920

PRODUCT SPECIFICATION

See :- GS-12-433

PACKAGING SPECIFICATION

See :- GS-14-1157

PACKAGING SPECIFICATION

09- TRAY PACKAGING

MOUNTING OPTIONS

RV->LIF METAL PEG +F.SCREW LOCK UNC 4 40+METAL BRACKET

RL->LIF METAL PEG+ INSERT M3+METAL BRACKET

RX->LIF METAL PEG + INSERT UNC 4-40 +METAL BRACKET

PLATING

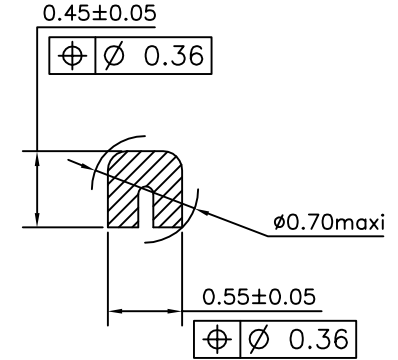
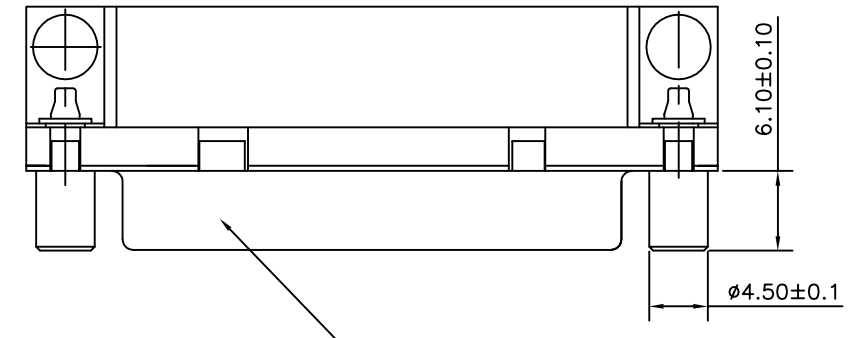
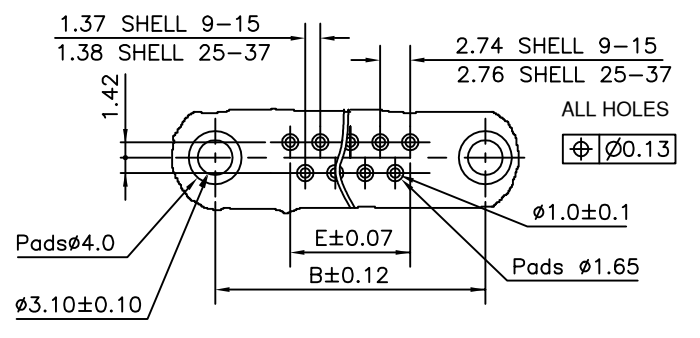
6->500 Mating/Un-mating performance
4->200 Mating/Un-mating performance



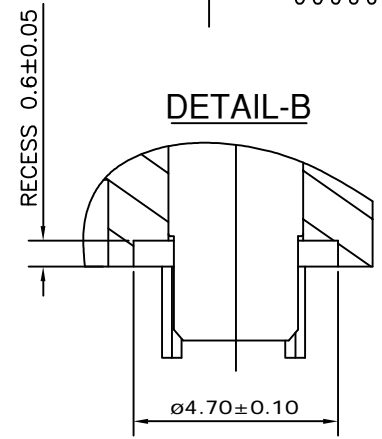
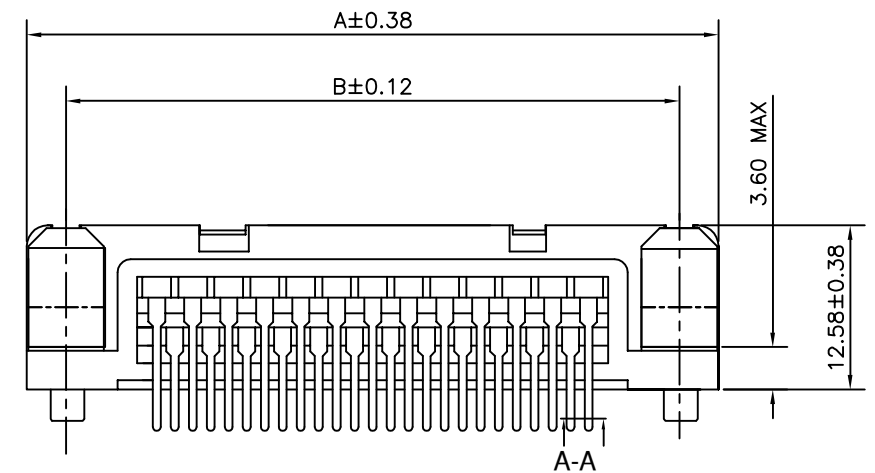
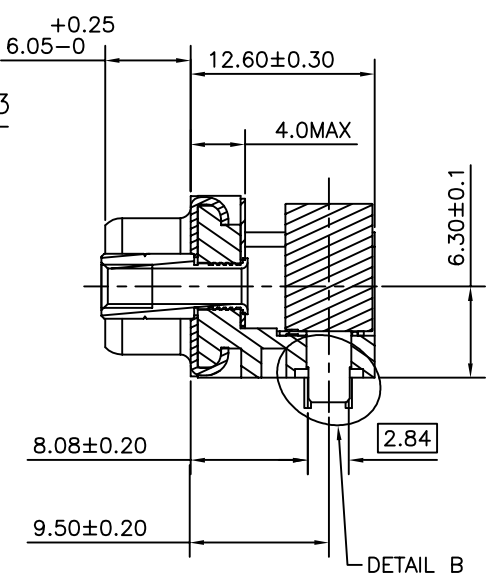
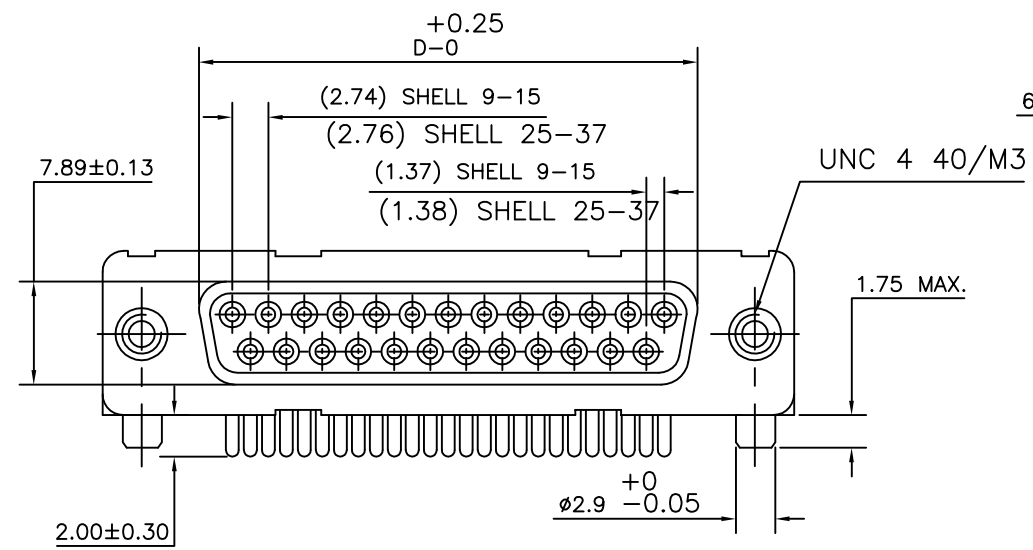
Copyright FCI

mat'l. code		surface		tolerance		projection		product family		
SEE.TECH.SPEC		ISO 1302		ISO 406 ISO 1101		MM		DELTA-D		
ltr	ecn no	dr	date	tolerances unless otherwise specified		MM		title		
A	I07-0038	GWJ	07-03-16	angles	linear	MM		DELTA-D A/S FEMALE PIP CONNECTOR		
B	I08-0175	AS	09-01-14			scale -		US VERSION		
C	I09-0162	AS	2009-08-13	0°±1°						
		dr	ANISH.SALAM	2007-12-04		FCI		dwg no		
		enr	ANISH.SALAM	2009-08-13				sheet 1 of 2		size
		chr	ANISH.SALAM	2009-08-13				C-DD-0099		A3
		appd	ANISH.SALAM	2009-08-13				type		Product Customer Drawing
sheet index	revision sheet	C	C							
		1	2							

37	69.32	63.50	54.71	49.68
25	53.03	47.04	38.25	33.12
15	39.14	33.32	24.54	19.18
09	30.81	24.99	16.21	10.96
SHELL	A	B	D	E



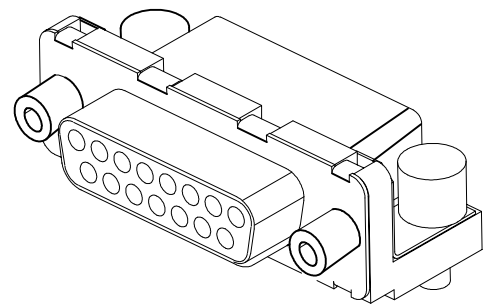
SECTION A - A



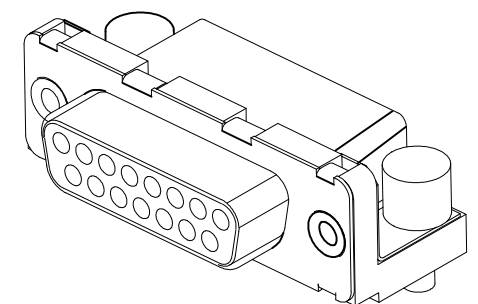
TRUE POSITIONING : $\oplus \ominus \varnothing 0.36$

ACCESSORIES DETAILS

RV VERSION



RX/RL VERSION



mat'l. code		surface		tolerance		projection		product family	
SEE.TECH.SPEC		ISO 1302		ISO 406 ISO 1101				DELTA-D	
ltr		ecn no		date		tolerances unless otherwise specified		title	
A		I07-0167		AS 2007-12-04		angles linear		DELTA-D A/S FEMALE PIP CONNECTOR	
B		I08-0175		AS 2009-01-14		0°±1°		US VERSION	
C		I09-0162		AS 2009-08-13		.00±0.1		dwg no	
				dr ANISH.SALAM		2007-12-04		sheet 2 of 2	
				engr ANISH.SALAM		2009-08-13		size	
				chr ANISH.SALAM		2009-08-13		A3	
				appd ANISH.SALAM		2009-08-13		type	
								Product Customer Drawing	
sheet index		revision sheet		C C					
				1 2					

FCI
FCIconnect.com

Copyright FCI