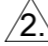
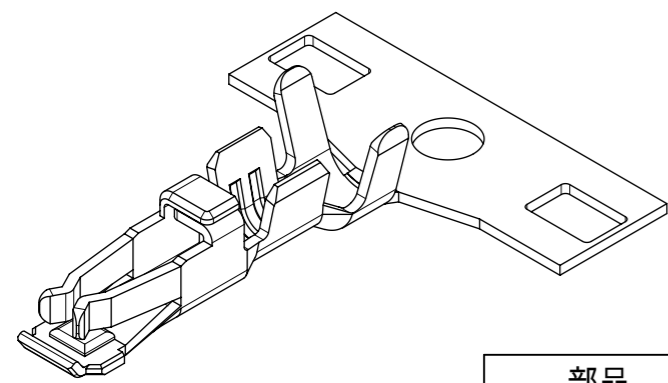
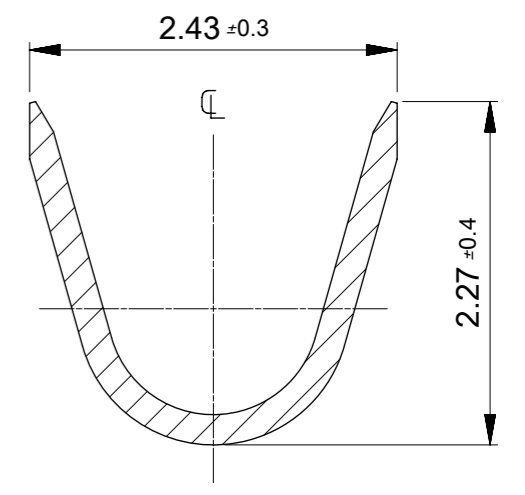
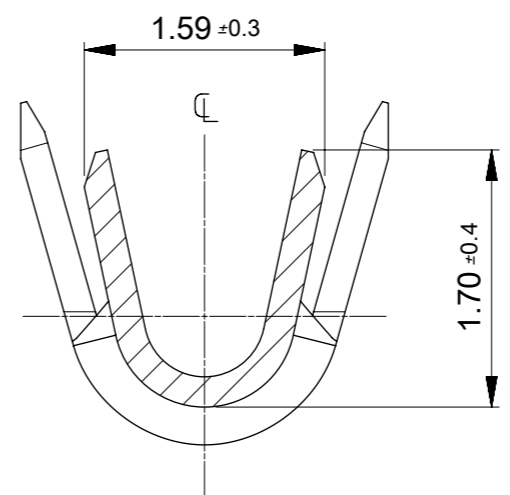
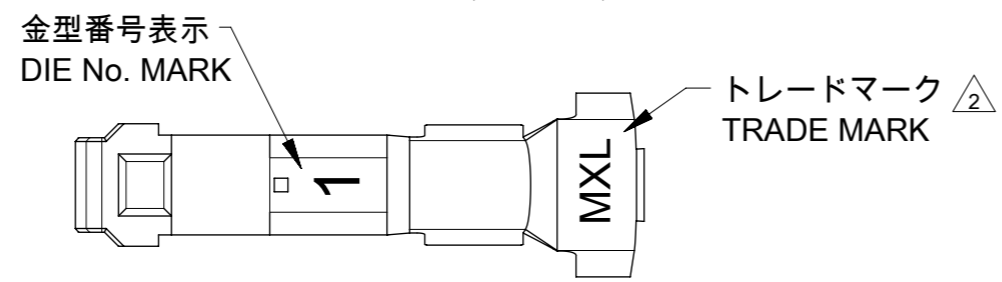
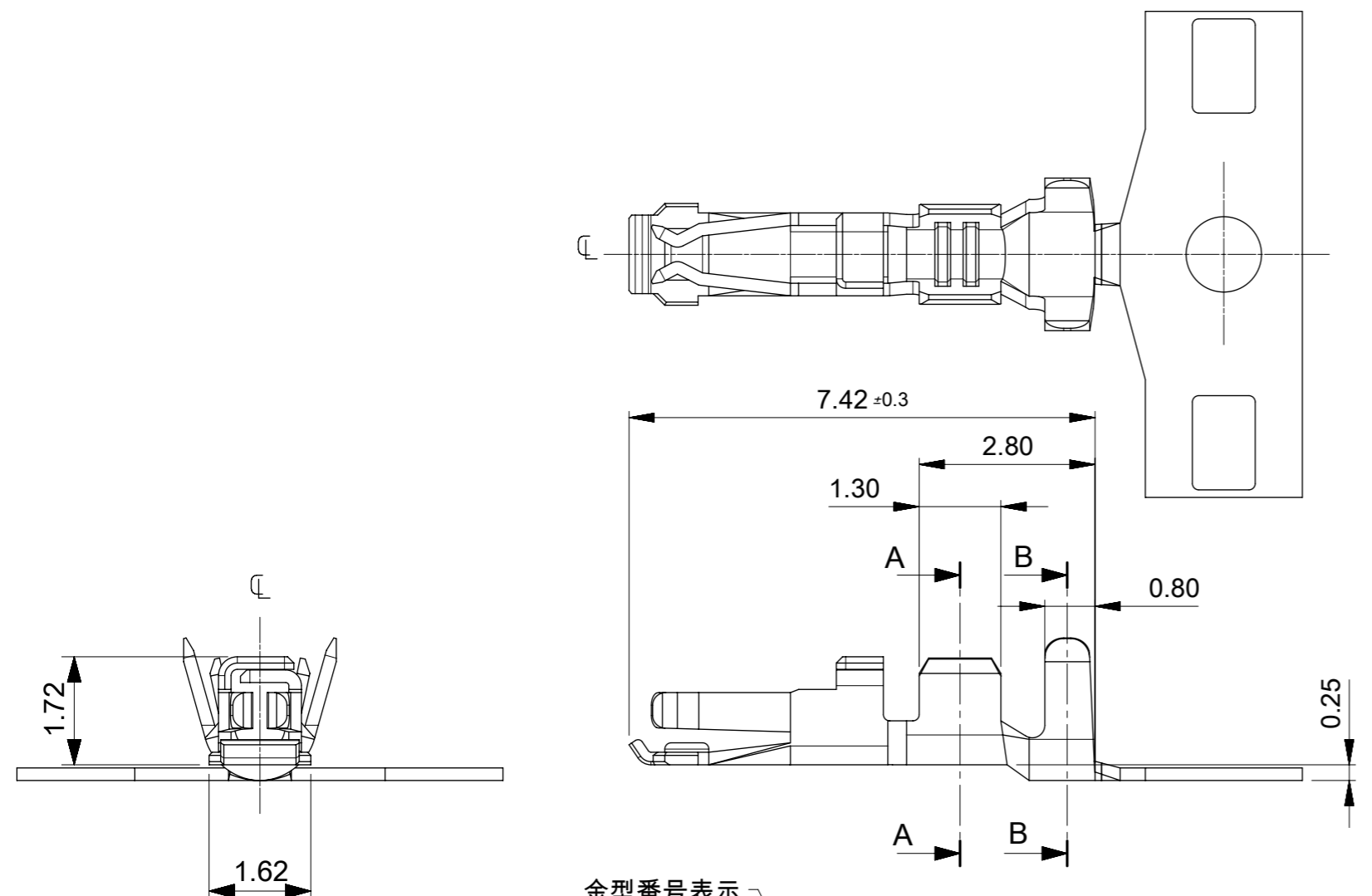


NOTE


1. 適合ハウジング : 505570シリーズ
APPLICABLE HOUSING : 505570 SERIES.
2.  トレードマーク : M X L にて表示
TRADE MARK IS FORMED BY MXL.
3. 製品の取扱いについては、コネクタ取扱説明書(5055700001PSA02,A03)を参照願います。
PLEASE REFER TO INSTRUCTION MANUAL(5055700001PSA02,A03).
4. 圧着条件については、圧着仕様書(5055721000PSC00)を参照願います。
PLEASE REFER TO CRIMP SPECIFICATION(5055721000PSC00).



5055721000	連鎖状 CHAIN
オーダー番号 ORDER No.	端子形状 FORM

部品 PART	材質 MATERIAL
ターミナル TERMINAL	銅合金 錫めっき:0.7um以上 COPPER ALLOY PRE-TIN PLATED (HEAT TREATED MATTE TIN) :0.7 MICROMETER MINIMUM.
適用電線範囲 WIRE RANGE	絶縁被覆外径 INSURATION RANGE
AWG: #22~#26 AVSS: 0.3	Φ0.9 ~ Φ1.5

THIS DRAWING CONTAINS INFORMATION THAT IS PROPRIETARY TO MOLEX ELECTRONIC TECHNOLOGIES, LLC AND SHOULD NOT BE USED WITHOUT WRITTEN PERMISSION

EC NO: 119083 DRWN: TENAGASE CHK'D: KOMURAKAMI APPR: TKANEKO	2017/07/07 2017/07/21 2017/07/24	GENERAL TOLERANCES (UNLESS SPECIFIED) ANGULAR TOL ± 3.0 °	DIMENSION UNITS: MM SCALE: 10:1	 MICRO-LOCK PLUS 2.0MM PITCH WIRE TO BOARD REC. CRIMP TERMINAL	
	4 PLACES ± 0.2 3 PLACES ± 0.2 2 PLACES ± 0.2 1 PLACE ± 0.2 0 PLACES ± 0.2	DRWN BY: YUCHIKAWA DATE: 2016/01/20	APPR BY: TKANEKO DATE: 2016/04/18		PRODUCT CUSTOMER DRAWING
	DRAFT WHERE APPLICABLE MUST REMAIN WITHIN DIMENSIONS	CHK'D BY: KOMURAKAMI DATE: 2016/04/12	DRAWING SIZE: A3 THIRD ANGLE PROJECTION		SERIES: 505572 MATERIAL NUMBER: SEE CHART CUSTOMER: GENERAL
	RELEASED	EC NO: 119083 DRWN: TENAGASE CHK'D: KOMURAKAMI APPR: TKANEKO	DIMENSION UNITS: MM SCALE: 10:1		DOCUMENT NUMBER: 5055721000 DOC TYPE: PSD DOC PART: 000 SHEET NUMBER: 1 OF 1