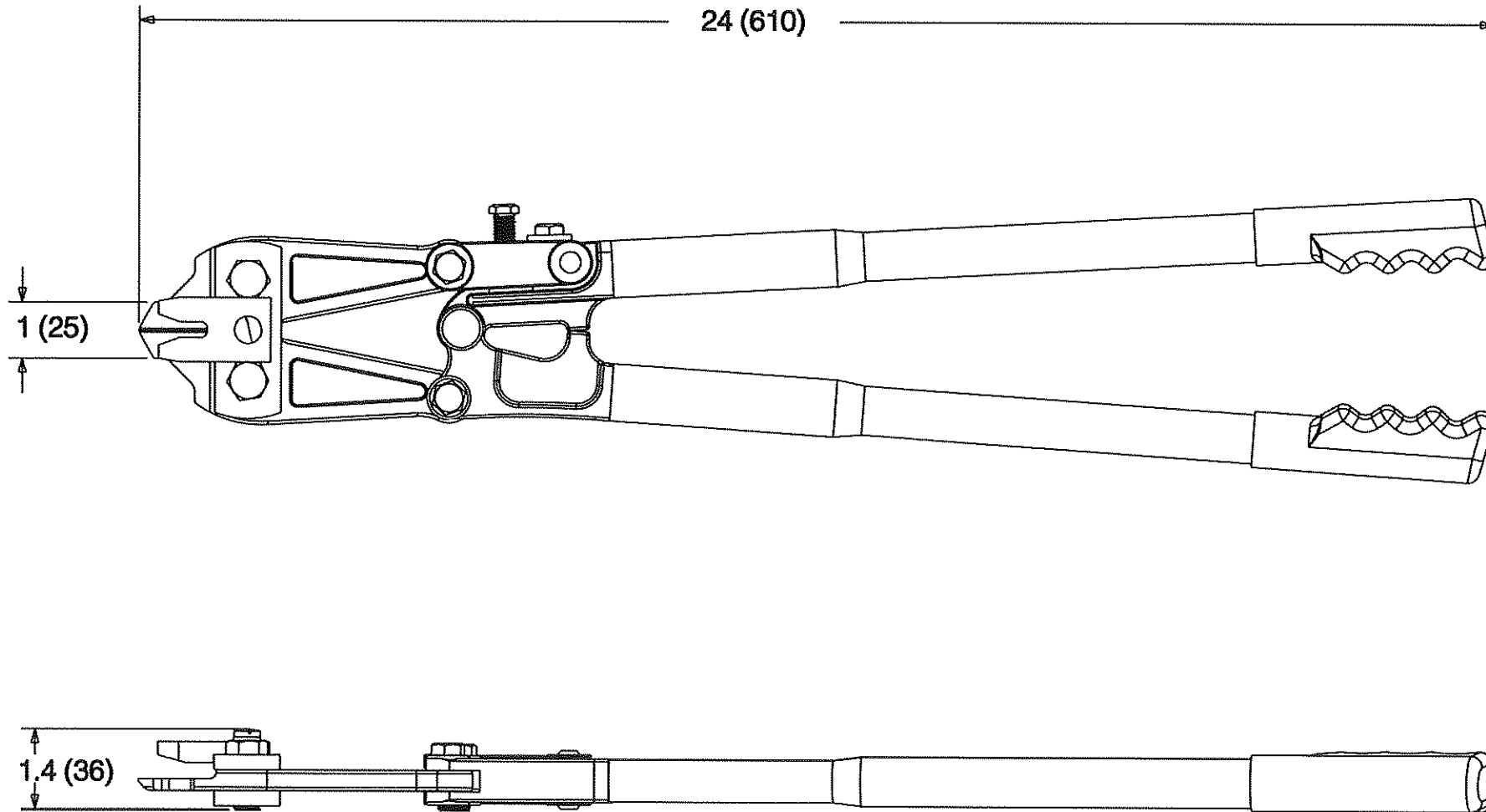


THIS COPY IS PROVIDED ON A RESTRICTED BASIS AND IS NOT TO BE USED IN ANY WAY DETRIMENTAL TO THE INTERESTS OF PANDUIT CORP.



Panduit tool number WGCT-M is used to cut cable tray.

This tool's features include:

- Narrow jaws allow access to closely spaced wires
- Flush cutting design
- Positioning hook facilitates consistent cuts
- Short jaws increase mechanical advantage

Tool Weight: 4.5 lbs / 2 kg

Dimensions in () are mm.

F:\wrkgrp\rvusers\ENGR DOCS\CUSTOMER DRAWINGS\WD26487B01_00 WGCT-M CD.doc

										PANDUIT CORP. TINLEY PARK, ILLINOIS			
										CUSTOMER DRAWING * WGCT-M			
										UNLESS OTHERWISE SPECIFIED, DIMENSIONAL TOLERANCES ARE:		UNLESS OTHERWISE SPECIFIED, ALL DIMENSIONS ARE GIVEN IN INCHES, THIRD ANGLE PROJECTION.	
										(.x) ± -- (.xxx) ± --			
										(.xx) ± -- ANGLES ± --			
										DRAWN BY: BLR	MATL: NONE	SCALE NONE	
										DATE: 2-10-11		DRAWING NO. WD26487B01	DWG SIZE B
										CHK'D: BONS			
00	2-10-11	BLR	<i>BONS</i>	RELEASED	4371	---	<i>[Signature]</i>						
REV	DATE	BY	CHK'D	DESCRIPTION	ECN	- R	CUST	SUP					