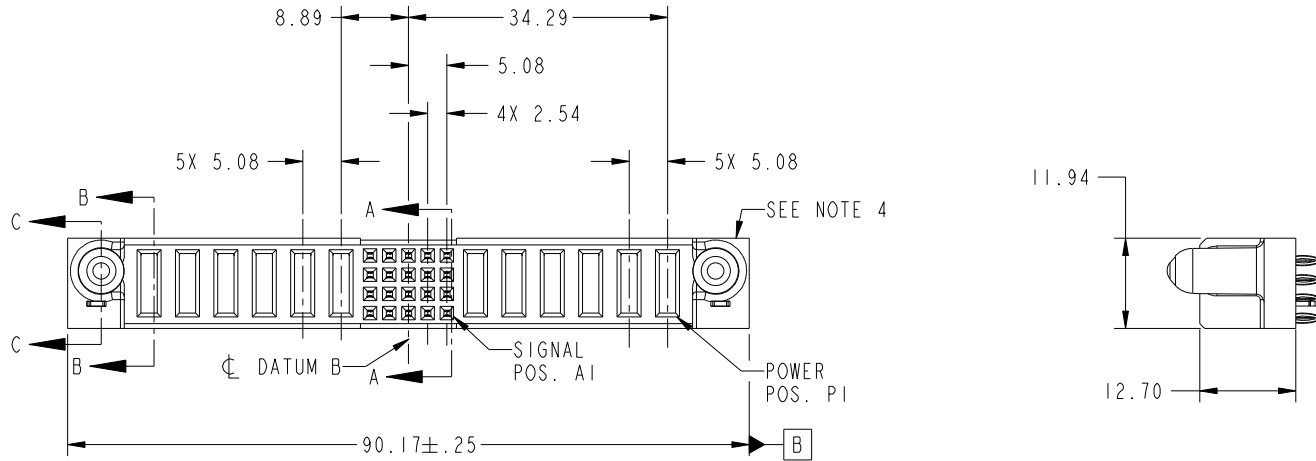


Tous droits strictement réservés. Reproduction ou communication a des tiers interdite sous quelque forme que ce soit sans autorisation écrite du propriétaire. Propriété de c.FCI. Droits de reproduction FCI.

All rights strictly reserved. Reproduction or issue to third parties in any form whatever is not permitted without written authority from the proprietor. Property of FCI. Copyright FCI.



PRODUCT NO.	ROWS	POWER						SIGNAL					POWER						E1
		E2	P12	P11	P10	P9	P8	P7	5	4	3	2	1	P6	P5	P4	P3	P2	
51940-046-- NOTE: 3	D C B A		PF	PF	PF	PC	PC	PC	FFFFF	FFFFF	FFFFF	FFFFF	PC	PC	PC	PF	PF	PF	



CODE	DIM "M" MATING LENGTH	CONTACT TYPE
F	[N/A]	SIGNAL
PC	[1.07]	POWER
PF	[2.34]	POWER
HA	[N/A]	HOLD-DOWN

mat'l code				SEE NOTE		tolerances unless otherwise specified		CUSTOMER		 www.fciconnect.com	
lir	ecn no.	dr	date	linear		0.X ± 0.5		COPY		title	
A	V03-0677	MEM	6/17/03	angles		0.XX ± 0.25		projection		6P + 20S + 6P	
B	V04-0561	TAB	5/27/04			0.XXX ± 0.10				VERTICAL PRESS FIT RECEIPT	
C	DG05-0304	GuoJM	09/27/05			0° ± 2°				product family	
D	DG07-0498	JW	09/13/08	dr	M. MOSTOLLER	6/17/03	MM		PwrBlade		code
				engr	M. MOSTOLLER	6/17/03	1:1		size	dwg no	213
				chr	H. BREWBAKER	6/17/03			A	51940-046	sheet
				appd	M. MOSTOLLER	6/17/03					1 of 4
sheet index	revision sheet	D	D	D	D	D					
		1	2	3	4						

A

B

A

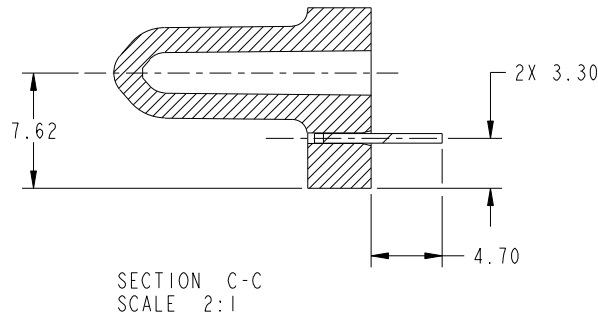
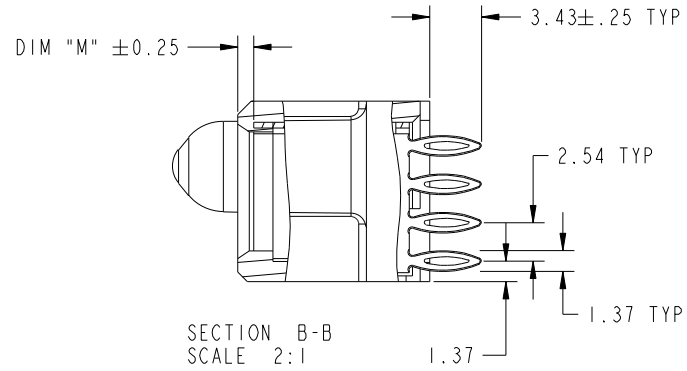
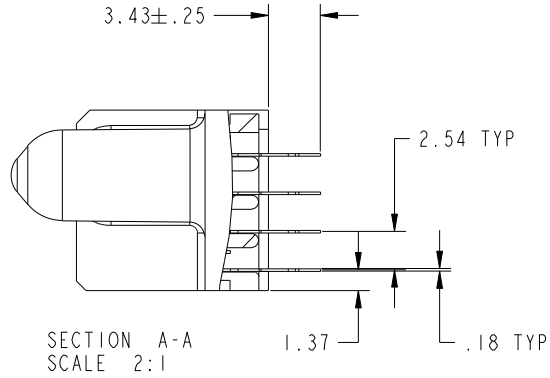
B

Tous droits strictement réservés. Reproduction ou communication a des tiers interdite sous quelque forme que ce soit sans autorisation écrite du propriétaire. Propriété de c FCI. Droits de reproduction FCI.

All rights strictly reserved. Reproduction or issue to third parties in any form whatever is not permitted without written authority from the proprietor. Property of FCI. Copyright FCI.



PRODUCT NUMBER
51940-046--
NOTE: 3



mat'l code		SEE NOTE		tolerances unless otherwise specified		CUSTOMER		 www.fciconnect.com	
lfr	ecn no.	dr	date	linear	0.X ± 0.5	COPY		title	
D					0.XX ± 0.25	projection		6P + 20S + 6P	
				angles	0.XXX ± 0.10			VERTICAL PRESS FIT RECEIPT	
				dr	0° ± 2°			product family	
				engr	M. MOSTOLLER 6/17/03	MM		PwrBlade	
				chr	M. MOSTOLLER 6/17/03			code	
				appd	H. BREWBAKER 6/17/03	1:1		213	
					M. MOSTOLLER 6/17/03			sheet	
sheet index	revision sheet							2	

cage code 22506

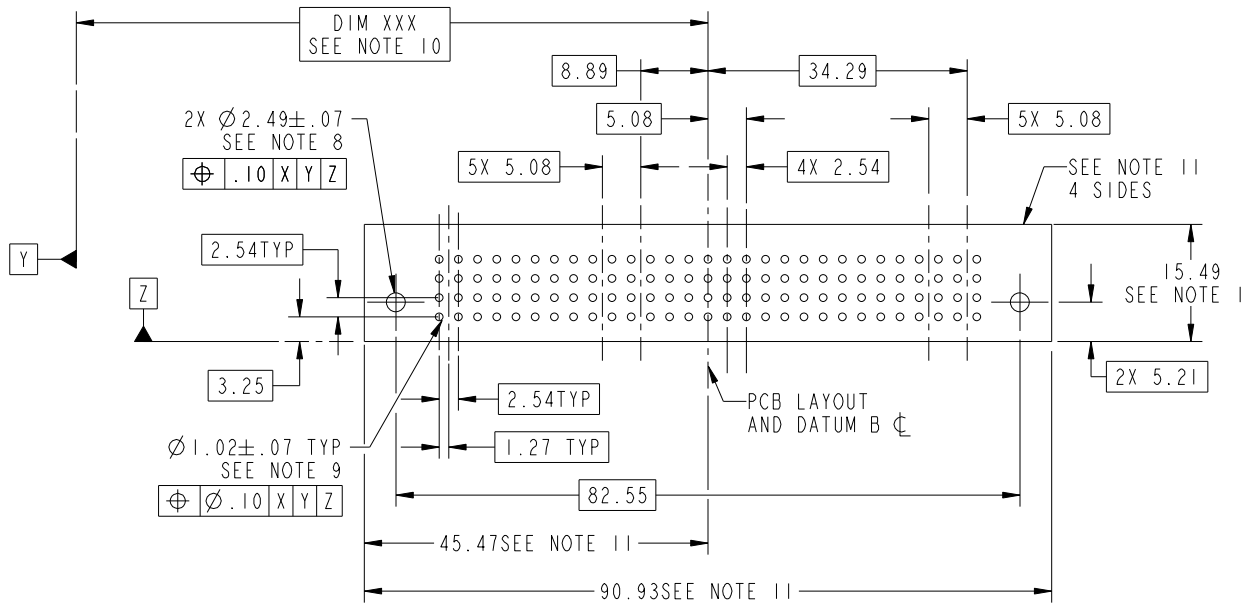
Tous droits strictement reserves. Reproduction ou communication a des tiers interdite sous quelque forme que ce soit sans autorisation ecrite du proprietaire. Propriete de c.FCI. Droits de reproduction FCI.



All rights strictly reserved. Reproduction or issue to third parties in any form whatever is not permitted without written authority from the proprietor. Property of FCI. Copyright FCI.

PRODUCT NUMBER

51940-046--
NOTE: 3



mat'l code		SEE NOTE		tolerances unless otherwise specified		CUSTOMER		 www.fciconnect.com	
lir	ecn no.	dr	date	linear	0.X ± 0.5	COPY		title	
D					0.XX ± 0.25	projection		6P + 20S + 6P	
					0.XXX ± 0.10			VERTICAL PRESS FIT RECEPT	
				angles	0° ± 2°	 MM		product family	
				dr	M. MOSTOLLER 6/17/03	scale		PwrBlade	
				engr	M. MOSTOLLER 6/17/03	1:1		code	
				chr	H. BREWBAKER 6/17/03	A		213	
				appd	M. MOSTOLLER 6/17/03	51940-046		sheet	
sheet index		revision sheet						3	

cage code 2856

Pro/E

PDM: Rev: D

STATUS: Released

Printed: Dec 20, 2010

Tous droits strictement réservés. Reproduction ou communication a des tiers interdite sous quelque forme que ce soit sans autorisation écrite du propriétaire. Propriété de c.FCI. Droits de reproduction FCI.

All rights strictly reserved. Reproduction or issue to third parties in any form whatever is not permitted without written authority from the proprietor. Property of FCI. Copyright FCI.



1 | 2

3

4

PRODUCT NUMBER

51940-046--
NOTE: 3

NOTES:

1. DIMENSIONS AND TOLERANCES ARE IN ACCORDANCE WITH ASME Y14.5M, 1994 UNLESS OTHERWISE SPECIFIED.

CONNECTOR NOTES:

2 HOUSING MATERIAL: UL 94 V-0 GLASS FILLED
HIGH-TEMP THERMOPLASTIC
POWER CONTACT MATERIAL: COPPER ALLOY
SIGNAL PIN MATERIAL: COPPER ALLOY

3. PLATING:
SEE ITEM 7 & 8 IN PRINT 10064183 FOR PLATING SPEC OF 51940-046; 51940-046LF RESPECTIVELY.

4 MANUFACTURER'S NAME, P/N, AND DATE CODE TO APPEAR ON THIS SURFACE.

5. PRODUCT SPECIFICATION GS-12-149.
APPLICATION SPECIFICATION BUS-20-067.

6. PACKAGED IN TRAYS.

PCB NOTES:

7. ALL HOLE DIAMETERS ARE FINISHED HOLE SIZE.

8 MOUNTING HOLES, WHERE APPLICABLE, ARE UNPLATED.

9 $\varnothing 1.151 \pm 0.025$ DRILLED HOLES PLATED WITH
0.008 MIN SnPb OR Sn OVER 0.03
TO 0.08 Cu PLATING TO ACHIEVE
 $\varnothing 1.02 \pm 0.07$ HOLE.

10 "DIM XXX" TO BE DETERMINED BY THE CUSTOMER.

11 CONNECTOR KEEP-OUT ZONE.

12 A Δ SYMBOL WILL BE NEXT TO ANY DIMENSION, VIEW, OR NOTE WHICH HAS BEEN MODIFIED WITH THE CURRENT DRAWING DEVISION.

mat'l code		SEE NOTE		tolerances unless otherwise specified		CUSTOMER		www.fciconnect.com		
lir	ecn no.	dr	date	linear	0.X ± 0.5		COPY		title 6P + 20S + 6P VERTICAL PRESS FIT RECEPT	
D					0.XX ± 0.25		projection			product family PwrBlade
					0.XXX ± 0.10					
				angles	0° $\pm 2°$				sheet 4	
				dr	M. MOSTOLLER	6/17/03	scale		size A 51940-046	
				enrg	M. MOSTOLLER	6/17/03	1:1			dwg no 213
				chr	H. BREWBAKER	6/17/03				sheet 4
				appd	M. MOSTOLLER	6/17/03				
sheet index	revision sheet									

1 | 2

Pro/E

PDM: Rev:D

STATUS: Released

Printed: Dec 20, 2010

A

A

B

B

cage code 22516

4