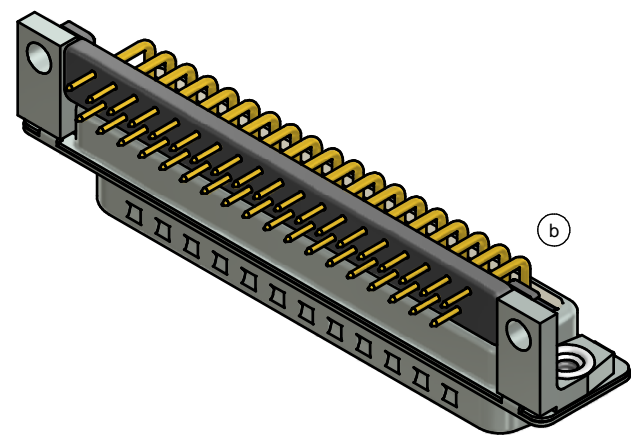


- (b) NOTES:**
1. RoHS COMPLIANT
 2. FOR WAVESOLDERING (SOLDER BATH TEMPERATURE 260°C FOR 5 SEC. AND SOLDER PREHEAT 100°C FOR 30 SEC.)
 3. METALSHELLS: STEEL; min. 315µm TIN over 40-80µm NICKEL
 4. INSULATOR: HIGH TEMPERATURE PLASTIC UL 94 V-0; BLACK
 5. CONTACTS: COPPER ALLOY; PLATING (SEE PART NO.):
 - PLEASE ADD A for GOLD FLASH over NICKEL (PREFERRED TYPE)
 - PLEASE ADD B for 20µm HARD GOLD over min. 50µm NICKEL
 - PLEASE ADD C for 30µm HARD GOLD over min. 50µm NICKEL
 - PLEASE ADD J for 50µm HARD GOLD over min. 50µm NICKEL
 6. METAL BRACKETS: ZINC DIE CAST; 300µm COPPER/40-120µm NICKEL/120-200µm TIN
 7. THREADED INSERTS: COPPER ALLOY; min. 200µm TIN over 80µm NICKEL
 8. FIXING-PLATE: HIGH TEMPERATURE PLASTIC UL 94 V-0; BLACK
 9. CAPACITANCE: 1300pF ± 20%
 10. DIELECTRIC WITHSTANDING VOLTAGE: 424 VDC
 11. MAXIMUM TORQUE VALUE FOR THREAD: 6 in.LB
 12. P.C.B. HOLE DRILLINGS ON SHEET 2
 13. CONNECTOR IS PART MARKED: 241 12390X CONEC ABC (see note 5)



RoHS compliant

THIS DRAWING MAY NOT BE COPIED OR REPRODUCED IN ANY WAY, AND MAY NOT BE PASSED ON TO A THIRD PARTY WITHOUT WRITTEN PERMISSION. OWNERSHIP AND COPYRIGHT OF CONEC GmbH DO NOT ALTER CAD DRAWING BY HAND	tolerance		dim. in mm		scale: 2:1 (5:1)	
	date		name		material: SEE NOTES	
	drawn	20.07.2015	Heinrich		title: D-SUB C-FILTER MALE 90° 37pos. SOLDER PIN ANGLED 0.318inch with threaded insert, metal bracket, fixing-plate	
	appd.	20.07.2015	Lehmenkühler			
	norm					
d-old				dwg no:		
8 x b	A5725	20.07.15	M.H.			DIN-A3
a	Original					(b) 24K1A1613 sh: 1/2
rev.	description	date	name	part no: 241 12390X (see note 5)		(b)

F I E D C I B A

D

D

C

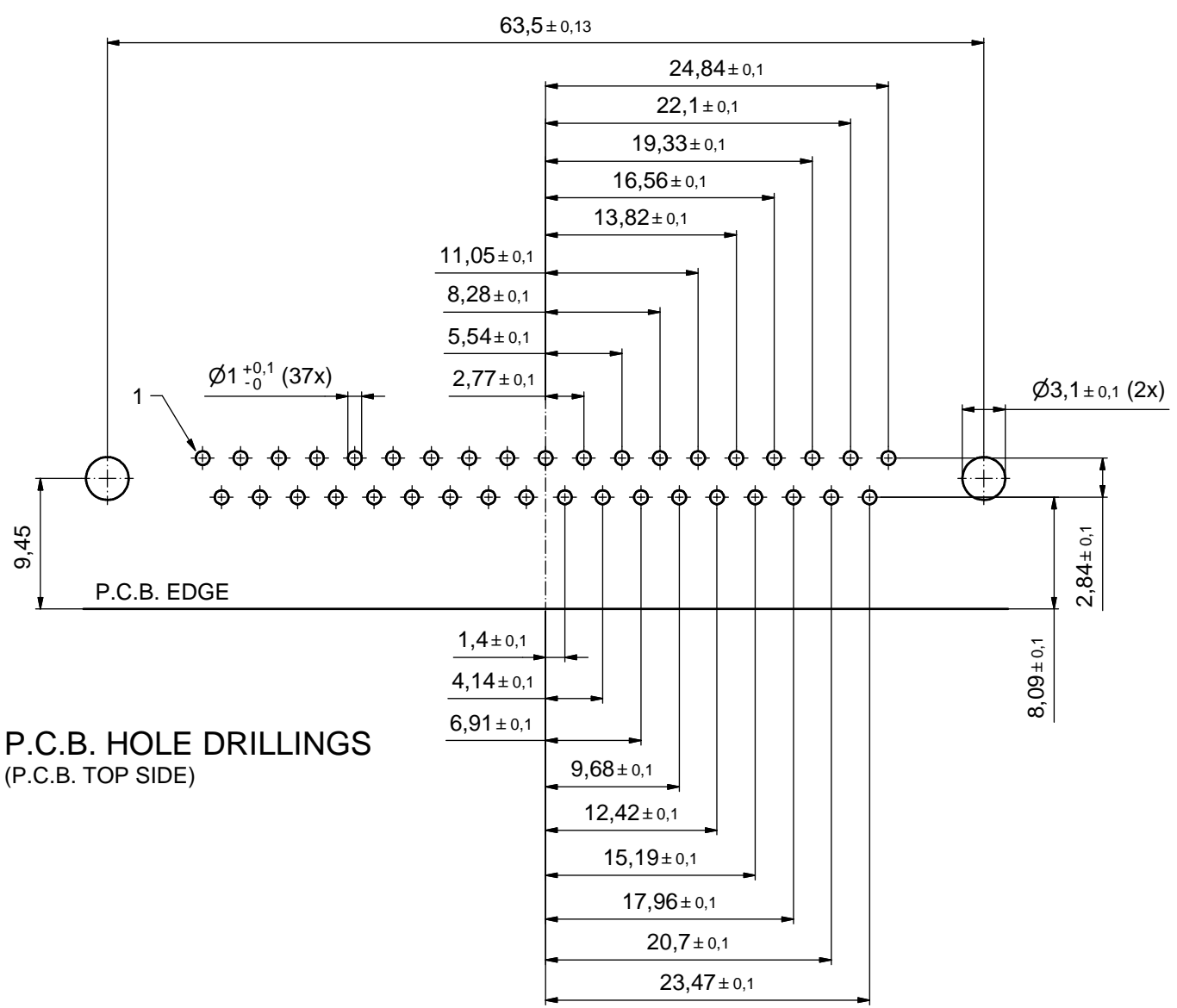
C

B

B

A

A



P.C.B. HOLE DRILLINGS
(P.C.B. TOP SIDE)

THIS DRAWING MAY NOT BE COPIED OR REPRODUCED IN ANY WAY, AND MAY NOT BE PASSED ON TO A THIRD PARTY WITHOUT WRITTEN PERMISSION. OWNERSHIP AND COPYRIGHT OF CONEC GmbH DO NOT ALTER CAD DRAWING BY HAND				tolerance	dim. in mm	scale: 2:1 (5:1)
				date	name	title: P.C.B. HOLE DRILLINGS D-SUB C-FILTER MALE 90° 37pos. 0.318inch with threaded insert, metal bracket, fixing-plate
				drawn 20.07.2015	Heinrich	
				appd. 20.07.2015	Lehmenkühler	
			norm		dwg no:	
			d-old		DIN-A3	
1 x b	A5725	20.07.15	M.H.			24K1A1613
a	Original					sh: 2/2
rev.	description	date	name	part no:		SEE SHEET 1

F I E D C I B A