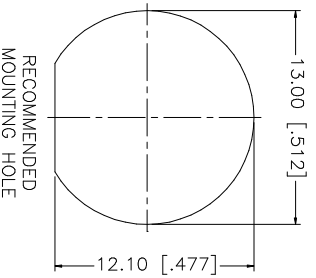
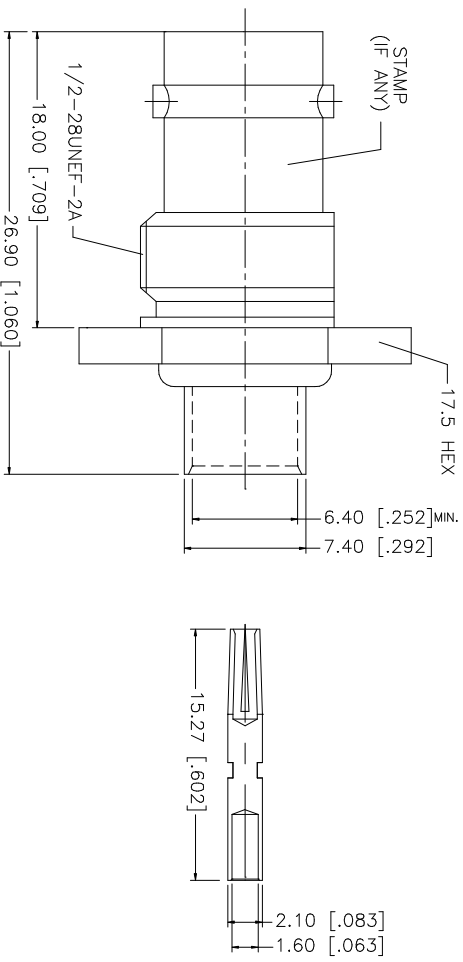
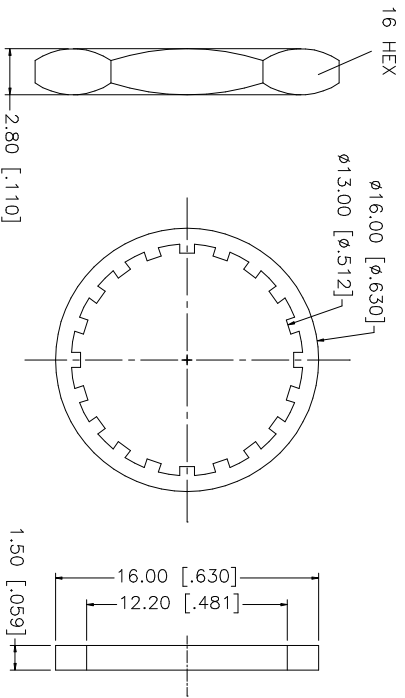
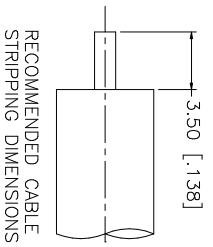


REV.	DATE	DESCRIPTION
NC	02/21/03	INITIAL RELEASE



NOTE:  
1. CONTACT PIN TO SOLDER

8																			
7																			
6	HEX NUT	BRASS	NICKEL	1															
5	LOCK WASHER	BRASS	NICKEL	1															
4	GASKET	RUBBER	RED	1															
3	CONTACT PIN	PHOS. BRONZE	GOLD	1															
2	INSULATOR	TEFLON	NATURAL	1															
1	BODY/HOUSING	BRASS	NICKEL	1															
	DESCRIPTION	MATERIAL	FINISH	QTY															
					UNLESS OTHERWISE SPECIFIED DIMENSIONS ARE IN MILLIMETERS. DIMENSIONS IN [ ] ARE IN INCHES AND FOR CUSTOMER REFERENCE ONLY.														
					TOLERANCES FOR MILLIMETERS ARE:														
					0.5 - 8mm ± 0.20mm														
					8 - 30mm ± 0.40mm														
					30 - 120mm ± 0.50mm														
					UNLESS OTHERWISE SPECIFIED TOLERANCES FOR INCHES ARE:														
					.020 - .315 = ± 0.007"														
					.315 - 1.180 = ± 0.015"														
					1.180 - 4.724 = ± 0.020"														
					DO NOT SCALE DRAWING														
APPROVALS		DATE																	
DRAWN G.R.S.		02/21/03																	
CHECKED																			
ISSUED																			
SHEET 1 OF 1																			
PART NO.																			
CAD FILE		C:/122/122489.DWG																	
DWG. NO.		112714.DWG																	
REV.		NC																	
SIZE		A																	
SCALE		NA																	
<p style="text-align: center;"><b>Amphenol Connex</b></p> <p style="text-align: center;">PART DESCRIPTION BNC BULKHEAD DIRECT SOLDER JACK (FOR .250" SEMI-RIGID CABLE)</p> <p style="text-align: right;">112714</p>																			