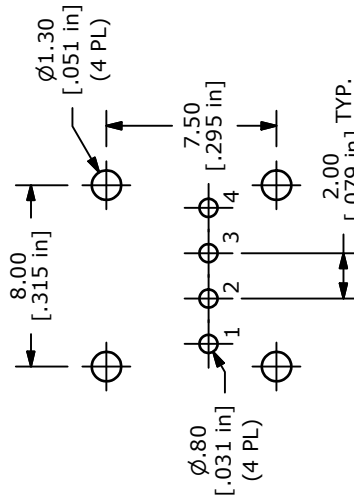
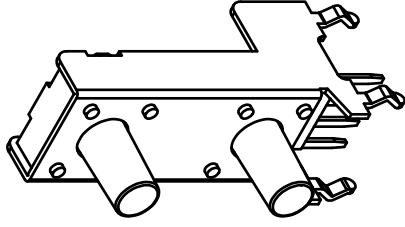
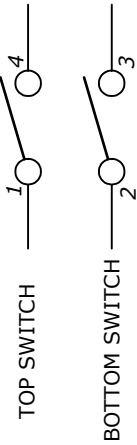
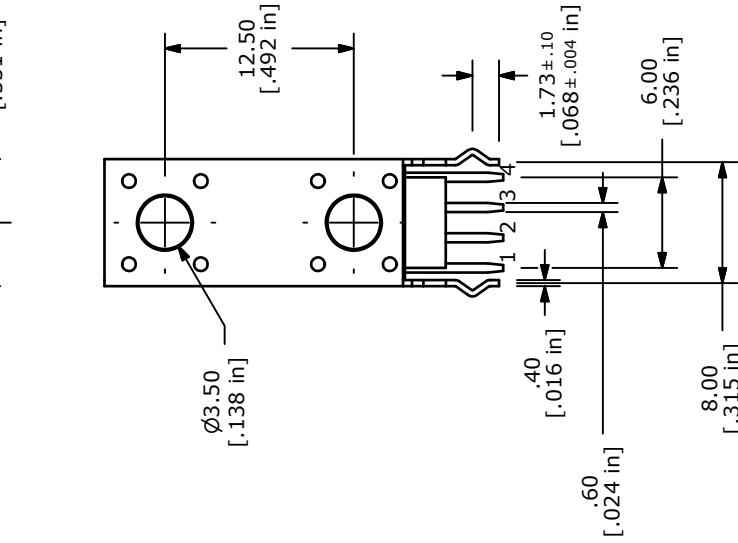
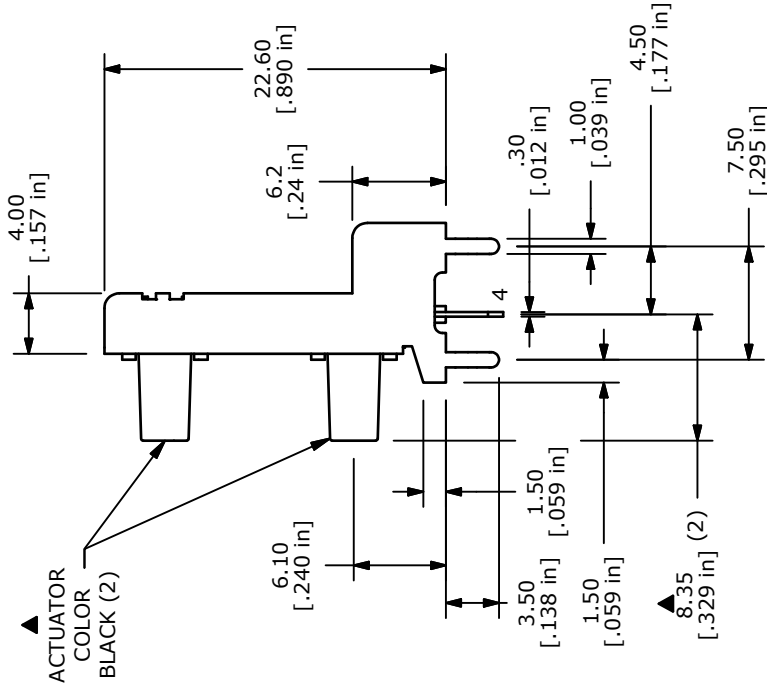
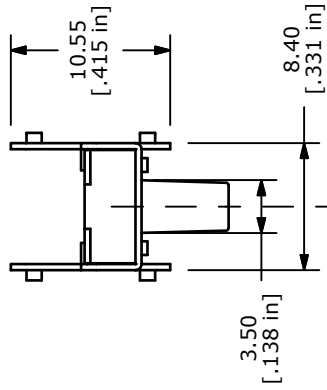


ISOMETRIC



RECOMMENDED PCB LAYOUT



▲ SCHEMATIC

- NOTES:
1. ALL DIMENSIONS IN MM
 2. GENERAL TOLERANCE: X.X=±0.4
X.XX=±0.25
 3. TERM. NOS. FOR REFERENCE ONLY.
 4. CONTACT RATING: 50mA @12VDC
 5. TRAVEL: 0.25 +0.2/-0.1mm
 6. CONTACT RESISTANCE: 100 Milli-Ohms Max.
 7. OPERATING FORCE: 160 ± 50gf
 8. CONTACT MATERIAL: SILVER
 9. ▲DENOTES CRITICAL PARAMETER.
 - ▲10. PACKAGE: TRAY/ 200 PIECES PER
 11. 2002/95/EC (ROHS) COMPLIANT



TITLE TL53GF160Q

B	19576	DRAWING UPDATES / CLEAN-UP	1/11/11	BGL
REV	PCR NO	DESCRIPTION	DATE	BY

THE INFORMATION CONTAINED IN THIS DOCUMENT IS PROPRIETARY TO E-SWITCH AND IS NOT TO BE COPIED OR TRANSFERRED

SCALE	2:1	DATE	1/11/2011	DR	BGL	DWG	P010602	REV	B
-------	-----	------	-----------	----	-----	-----	---------	-----	---