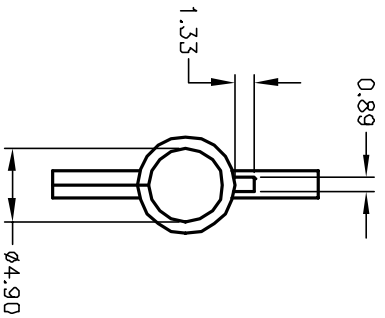


STAMPED 102



- NOTES:
1. ALL DIMENSIONS IN MM
  2. GENERAL TOLERANCE: X,XX=±0.25
  3. MATERIAL: ZINC ALLOY W/CHROME PLATING.

REV.	ECN No.	DESCRIPTION	DATE	CHKD
B	11772	REVISED	11/1/01	CB
THE INFORMATION CONTAINED IN THIS DOCUMENT IS PROPRIETARY TO E-SWITCH AND IS NOT TO BE COPIED OR TRANSFERRED				

**E-SWITCH®**

TITLE	SCALE	DATE	DR	DWG	REV
K0 KEY 102	2:1	10/22/01	CJB	K900010	B