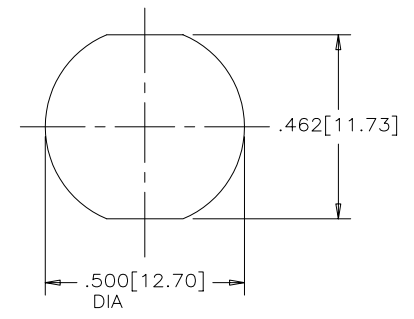
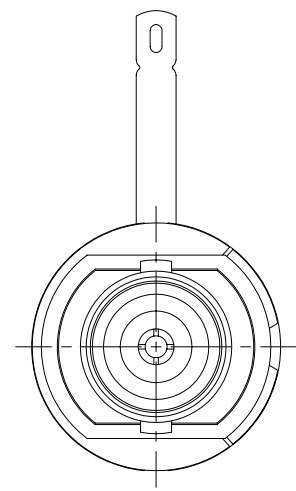
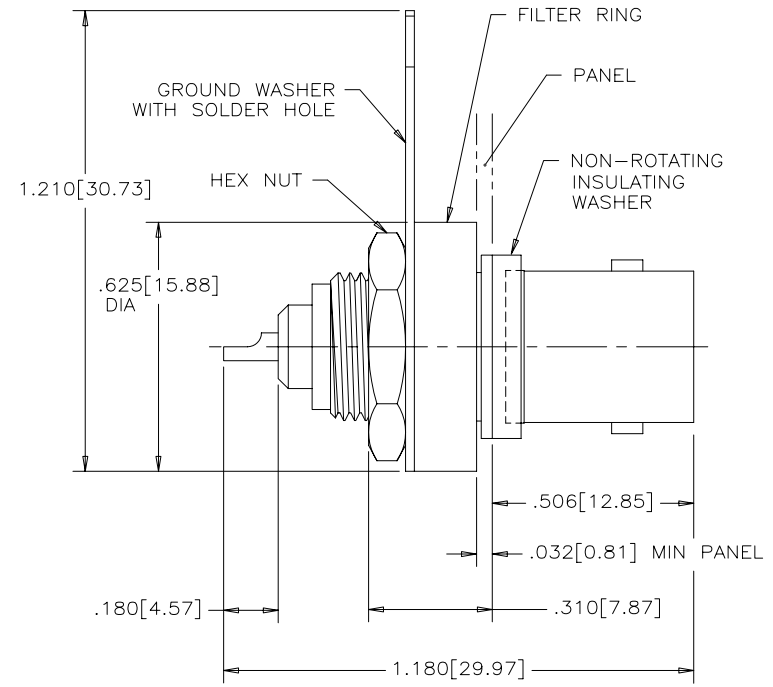


REVISIONS			
REV	ECN, ERN NO.	DATE	APPRD.
A	PRODUCT DRAWING (EAR 13136)	JUN18/07	K.L.



RECOMMENDED PANEL CUT-OUT

MECHANICAL SPECIFICATIONS:

- ALL MATERIALS ARE RoHS COMPLIANT PER EU DIRECTIVE 2002/95/EC AND AMENDMENTS
- CENTRE INSERT: TEFLON
- METAL BODY: NICKEL PLATED BRASS
- CONTACT: PHOSPHOR BRONZE, SILVER PLATED
- GROUND DEVICE: NICKEL PLATED PHOSPHOR BRONZE
- FILTER RING HOUSING: THERMOPLASTIC
- INSULATING WASHER: THERMOPLASTIC

ELECTRICAL SPECIFICATIONS:

- CAPACITANCE: 10,000 pF ±20%
- DIELECTRIC WITHSTANDING VOLTAGE: 600 VDC
- WORKING VOLTAGE: 200 VDC
- IMPEDANCE: 50 OHMS
- OPERATING TEMPERATURE: -20°C TO +85°C

NOTE: CONNECTOR PACKAGING CONSISTS OF ONE OF EACH OF CONNECTOR, INSULATING WASHER, FILTER RING, GROUND WASHER AND HEX NUT.



AMPHENOL PART NUMBER 456E-107S

DRAWN <i>K. LAMBIE</i>	DATE JUN18/07	Amphenol Canada Corp.			
DESIGNED					
CHECKED		456E SERIES B.N.C. CAPACITIVELY DECOUPLED CONNECTOR, FRONT MOUNT, SOLDER CUP, SILVER PLATED CONTACT, RoHS COMPLIANT			
I. E. APPRD.					
Q. A. APPRD.					
DWG. APPRD.					
ENG. REL. NO.		DWG	DRAWING NO.	REV.	
REF. EAR 13136		C	P-456E-107S	A	
DIMENSIONS ARE IN INCHES [mm]		SCALE 4/1	WT. -----	SURF. -----	SHEET 1 of 1

THIS DOCUMENT CONTAINS PROPRIETARY INFORMATION AND SUCH INFORMATION MAY NOT BE DISCLOSED TO OTHERS FOR ANY PURPOSE OR USED FOR MANUFACTURING PURPOSES WITHOUT WRITTEN PERMISSION FROM AMPHENOL CANADA CORP.