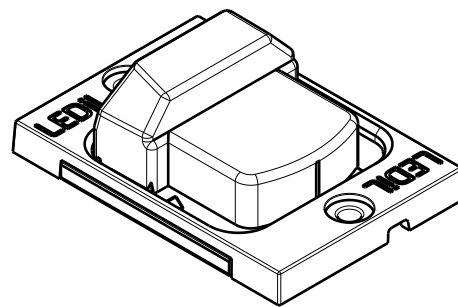
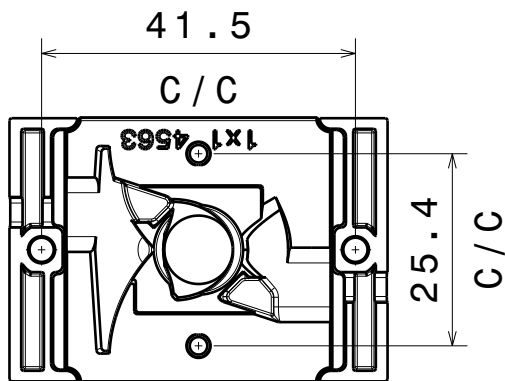


D

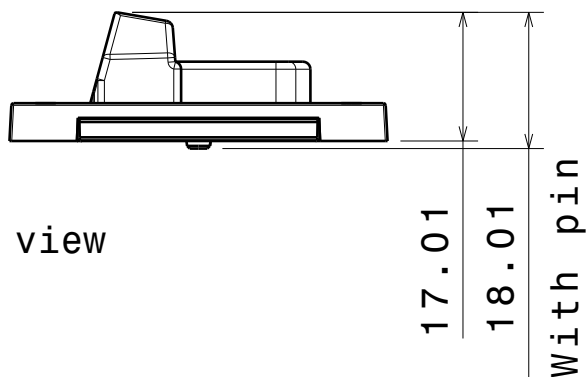
C

B

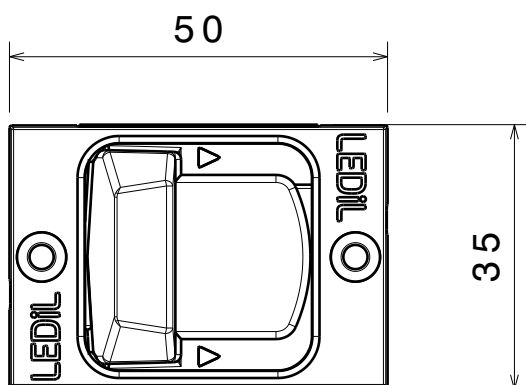
A



Bottom view



Front view



Top view

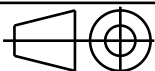
INDEX	PART NO	DESCRIPTION	MATERIAL	COLOUR
1	F14563	JENNY-T4	Silicone	Clear
2	C14436	JENNY-HLD-A-BLK	PC	Black

Tolerances if not otherwise shown
According to DIN ISO 2768-1
Linear measures:
up to 30mm class M, otherwise class C
According to DIN ISO 2768-2
Form and position: class L

LEDiL

Ledil Oy
Salorankatu 10
FIN 24240 SALO
Finland

THIRD ANGLE PROJECTION:



DRAWING TITLE

FCN14875_JENNY-T4

This drawing is the property
of LEDiL Oy. It may not be
reproduced, copied or
communicated without a written
agreement with LEDiL Oy.

SIZE PART NUMBER

A4

FCN14875

SCALE 1:1 WEIGHT 9,8 g SHEET 1/1

D

A