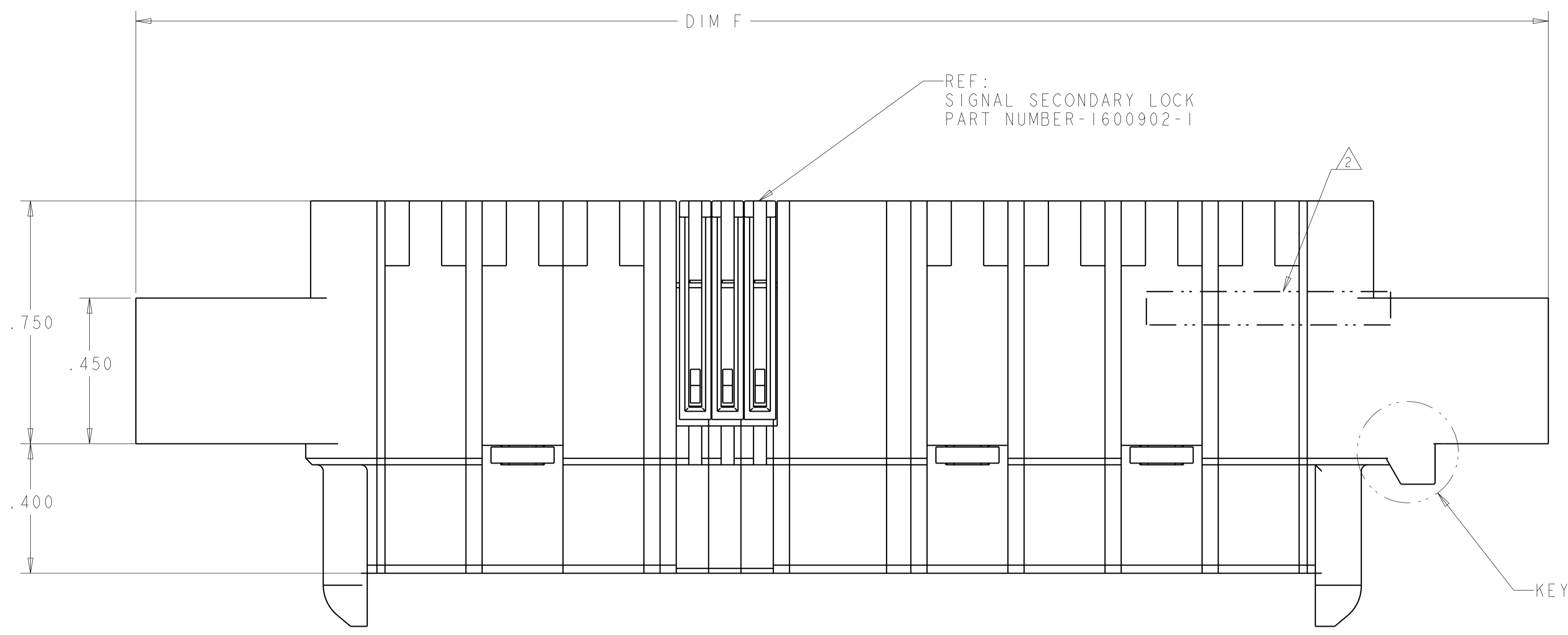
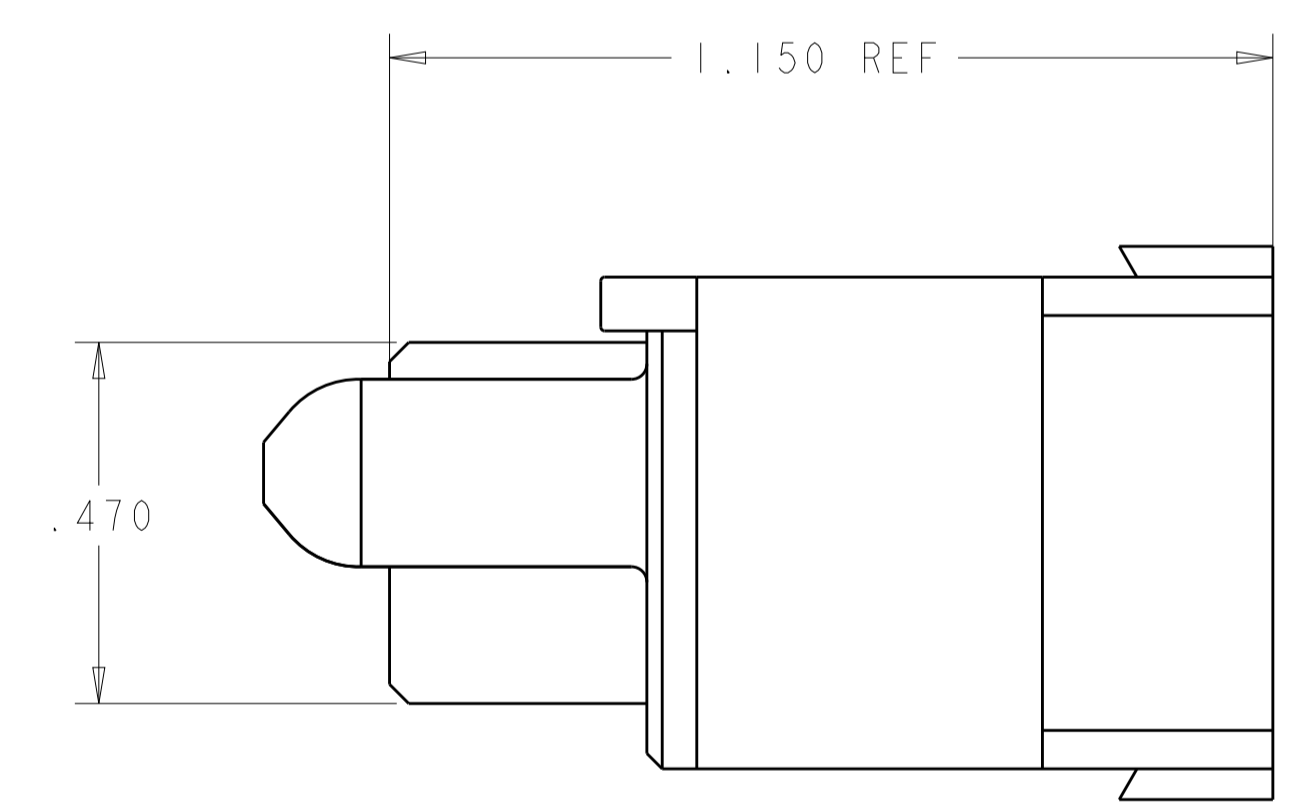
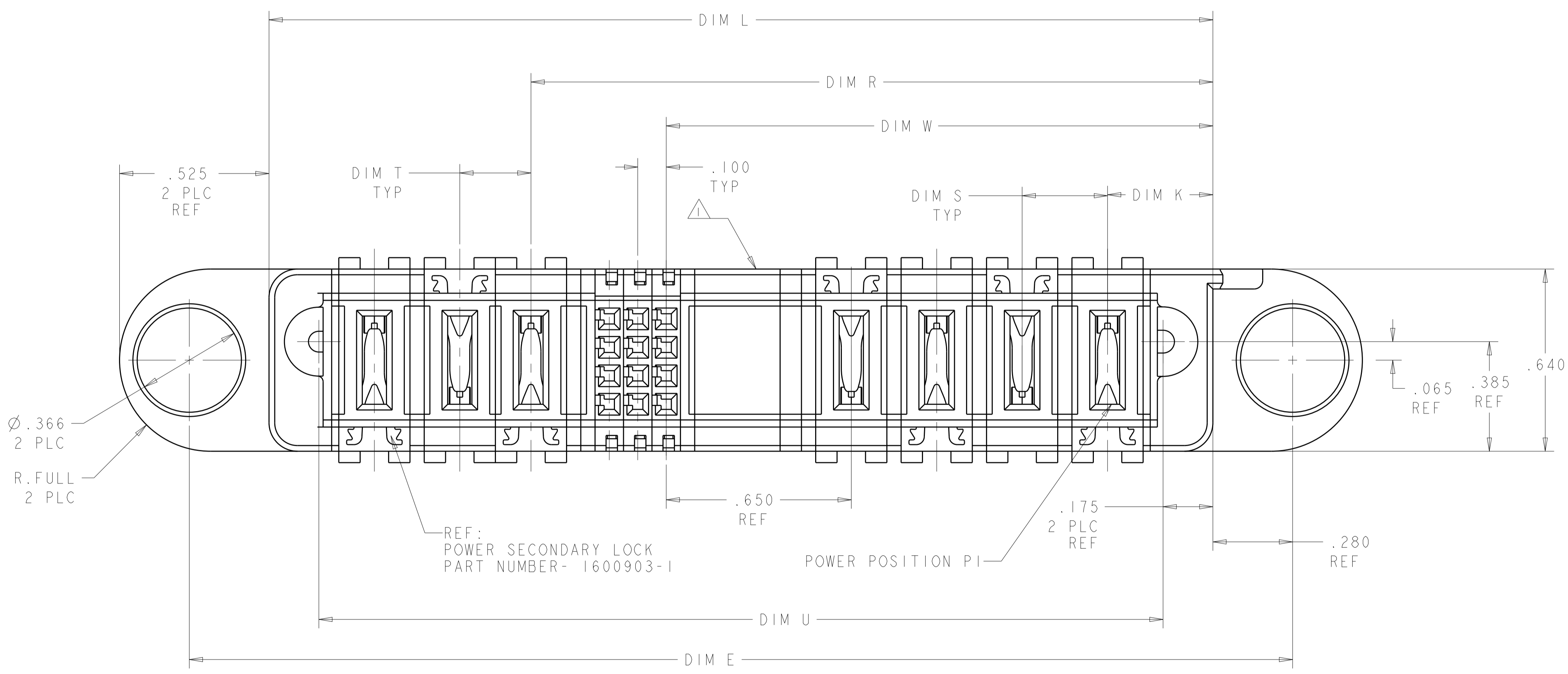


LOC		DIST		REVISIONS			
ES	00	P	LTM	DESCRIPTION	DATE	DWN	APVD
		D7		REV PER ECO-17-003452	25JAN2017	CZ	SZ

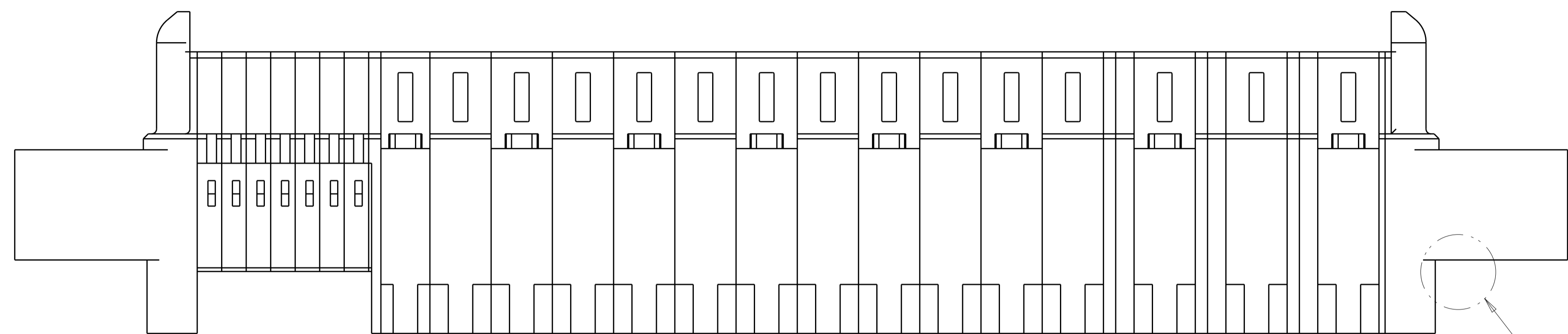


- △ OPTIONAL CENTER MODULE.
- △ COMPANY TRADEMARK, PART NUMBER, AND DATE CODE TO BE MARKED IN AREA SHOWN PARTS UNDER 2.00 LONG MAY BE MARKED ON BOTH SIDES.
- △ MATERIAL: THERMO PLASTIC, UL94 V-0.
- △ DATUM LOCATIONS AND BASIC DIMENSIONS TO BE ESTABLISHED BY THE CUSTOMER.
- △ BULKHEAD THICKNESS RANGE: .031 - .100
- △ CONNECTOR MATED TO PANEL FROM OPPOSITE SIDE.
- △ NO BURRS ALLOWED ON OPPOSITE (MATING) SIDE.
- △ CONNECTOR KEEP OUT ZONE.
- △ MOUNT CONNECTOR WITH TYCO HARDWARE KIT (1600914-7 OR 1600000-3) FOR .050 [1.27mm] MIN RADIAL FLOAT.
- △ VARIABLE DIM. PLEASE SEE TABLE OR DETAIL DIM PER PART NO.
- △ FOR THE CONFIGURATION WITH VENT HOLES, PLEASE REFER TO THE SHEET 3.
- △ FOR THE CONFIGURATION OF 3-1892903-2, PLEASE REFER TO THE SHEET 2.



THIS DRAWING IS A CONTROLLED DOCUMENT.		DWN C. ZHOU 09JUN2009	TE Connectivity	
DIMENSIONS: INCHES		CHK S. ZHAO 09JUN2009		
TOLERANCES UNLESS OTHERWISE SPECIFIED:		APVD	NAME	
0 PLC ±. 1 PLC ±.01 2 PLC ±.01 3 PLC ±.005 4 PLC ±.0020 ANGLES ±.2°		PRODUCT SPEC 108-2157	PANEL MOUNT CABLE RECEPTACLE HOUSING, WITH GUIDES MULTI-BEAM XLE	
MATERIAL		APPLICATION SPEC 114-13112	SIZE A1	CAGE CODE 100779
FINISH		WEIGHT	DRAWING NO C=1892903	RESTRICTED TO
		CUSTOMER DRAWING	SCALE 4:1	SHEET 1 OF 7
				REV D7

LOC		DIST		REVISIONS			
P	LTN	DESCRIPTION	DATE	DWN	APVD		
-	-	SEE SHEET 1	-	-	-		



FOR THE CONFIGURATION WITHOUT KEY
 PART NUMBER: 3-1892903-2

WITHOUT KEY

1600914-7	NO	-	.845	.545	-	.840	1.190	.345	2.240	1.750	1P + 8S + 1P	3-1892903-4
1600914-7	NO	-	0.970	0.620	-	0.990	1.340	0.370	2.390	1.900	1P + 8S + 1P	3-1892903-3
1600914-7	NO	-	-	4.420	△	4.940	5.290	.370	6.340	5.850	15P + 28S	3-1892903-2
1600914-7	NO	-	-	4.420	△	4.940	5.290	.370	6.340	5.850	15P + 28S	3-1892903-1
1600000-3	NO	.300	1.470	.920	.300	1.790	2.140	.370	3.190	2.700	2ACP + 16S + 2ACP	3-1892903-0
1600914-7	NO	.250	.620	.295	-	.865	1.215	-	2.265	1.775	8S + 2P	2-1892903-9
1600914-7	NO	.250	.620	.295	-	1.365	1.715	-	2.765	2.275	8S + 4P	2-1892903-8
1600914-7	NO	.250	2.345	1.820	.250	3.090	3.440	.345	4.490	4.000	6P + 16S + 4P	2-1892903-7
1600914-7	NO	-	-	.295	-	.640	.990	-	2.040	1.550	20S	2-1892903-6
1600914-7	NO	-	-	1.320	.200	1.640	1.990	.345	3.040	2.550	5HDP + 20S	2-1892903-5
1600914-7	NO	.250	1.495	1.020	.250	1.990	2.340	.345	3.390	2.900	3P + 16S + 3P	2-1892903-4
1600914-7	NO	.300	.970	.620	-	1.290	1.640	.370	2.690	2.200	1ACP + 8S + 2ACP	2-1892903-2
1600914-7	NO	.300	1.870	1.220	.300	2.490	2.840	.370	3.890	3.400	3ACP + 20S + 3ACP	2-1892903-1
1600914-7	NO	.200	1.020	.720	.200	1.390	1.740	.320	2.790	2.300	2HDP + 8S + 3HDP	2-1892903-0
1600914-7	NO	-	-	4.420	△	4.940	5.290	.370	6.340	5.850	15P + 28S	1-1892903-9
1600914-7	NO	.300	1.070	.320	-	3.490	3.840	-	4.890	4.400	24S + 9P	1-1892903-7
1600914-7	NO	△	2.170	.795	△	4.390	4.740	.345	5.790	5.300	2P + 48S + 10P	1-1892903-6
1600000-3	NO	.300	1.770	1.220	.300	2.390	2.740	.370	3.790	3.300	3ACP + 16S + 3ACP	1-1892903-5
1600000-3	NO	-	-	1.270	.300	1.590	1.940	.395	2.990	2.500	3ACP + 16S	1-1892903-4
1600000-3	NO	-	-	1.520	.200	1.790	2.140	.320	3.190	2.700	6P + 16S	1-1892903-3
1600914-7	NO	-	-	1.845	.375	1.890	2.240	.345	3.290	2.800	4ACP + 8S	1-1892903-1
1600914-7	NO	.250	1.345	.845	.250	1.640	1.990	.395	3.040	2.550	2HDP + 16S + 2HDP	1-1892903-0
1600914-7	NO	.250	2.770	1.845	.250	3.540	3.890	.370	4.940	4.300	6P + 32S + 4P	1892903-8
160014-7	NO	.300	1.920	1.170	.300	2.490	2.840	.320	3.890	3.400	3ACP + 24S + 3ACP	1892903-7
1600914-7	NO	.115	1.853	1.220	.300	2.125	2.475	.370	3.525	3.035	3ACP + 24S + 4LP	1892903-4
1600914-7	NO	△	△	△	△	5.040	5.390	.345	6.440	5.950	2P+16S+1P+2ACP+5P+2ACP+1P+16S+1P+8S	1892903-3
1600914-7	YES	△	△	△	△	2.395	1.920	.300	2.965	3.315	4ACP + 12S + 3P	1892903-1
KIT P/N	△	DIM T	DIM R	DIM W	DIM S	DIM U	DIM L	DIM K	DIM F	DIM E	DESCRIPTION	PART NUMBER

THIS DRAWING IS A CONTROLLED DOCUMENT. DWN: C. ZHOU 09JUN2009
 CHK: S. ZHAO 09JUN2009

DIMENSIONS: INCHES. TOLERANCES UNLESS OTHERWISE SPECIFIED:
 0 PLC ±.01
 1 PLC ±.01
 2 PLC ±.01
 3 PLC ±.005
 4 PLC ±.002
 ANGLES ±.020

MATERIAL: FINISH: WEIGHT: CUSTOMER DRAWING

APVD: S. ZHAO

PRODUCT SPEC: 108-2157
 APPLICATION SPEC: 114-13112

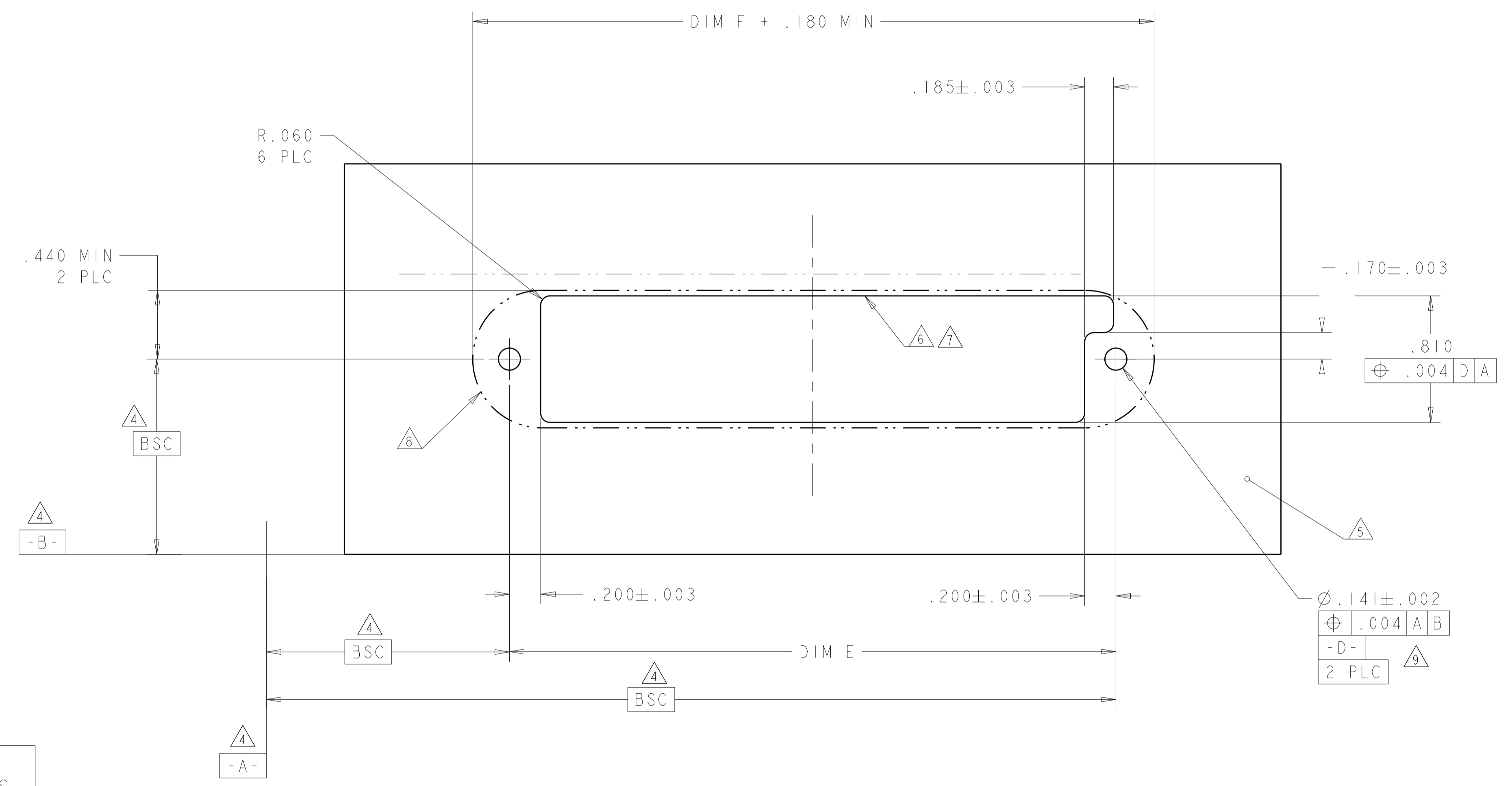
NAME: PANEL MOUNT CABLE RECEPTACLE HOUSING, WITH GUIDES MULTI-BEAM XLE
 SIZE: A100779
 CAGE CODE: 1892903
 DRAWING NO: 1892903

RESTRICTED TO: SCALE: 4:1 SHEET 2 OF 7 REV: D7

LOC	DIST	REVISIONS			
P	LTN	DESCRIPTION	DATE	DMN	APVD
-	-	SEE SHEET 1	-	-	-

PART NUMBER	ROWS	POWER			SIGNAL			BLANK	POWER			
		P7	P6	P5	3	2	1		P4	P3	P2	P1
1892903-1	D C B A	RA	RM	RM	E	E	E		RM	RM	RM	RM
4ACP + 12S + 3P					E	E	E					
					E	E	E					

.300 .250



BULKHEAD LAYOUT

REFERENCE POWER WIRE CHART - RM & RA CONTACTS		
HOUSING MODULE	CONTACT	INSULATION DIAMETER RANGE
.300	8-10 1600960 REF	[.176-.272]
.250	8-10 1600960 REF	[.176-.203]
	12-14 1600961 REF	[.156-.176]
.200	12-14 1600961 REF	[.120-.156]
.100	22-26 5531216-5 REF	[.036-.069]

LP	LOW POWER CONTACT
RA	MFBL POWER CONTACT
RM	STANDARD POWER CONTACT
E	SIGNAL CONTACT
CODE	DESCRIPTION



THIS DRAWING IS A CONTROLLED DOCUMENT.		DMN C. ZHOU 09JUN2009	NAME PANEL MOUNT CABLE RECEPTACLE HOUSING, WITH GUIDES MULTI-BEAM XLE
DIMENSIONS: INCHES		CHK S. ZHAO 09JUN2009	PRODUCT SPEC 108-2157
TOLERANCES UNLESS OTHERWISE SPECIFIED:		APVD	APPLICATION SPEC
0 PLC ±	1 PLC ±.01		114-13112
2 PLC ±.01	3 PLC ±.005		
4 PLC ±.002	ANGLES ±.020		
MATERIAL	FINISH	WEIGHT	RESTRICTED TO
			A100779C=1892903
CUSTOMER DRAWING		SCALE 4:1	SHEET 3 OF 7 REV D7

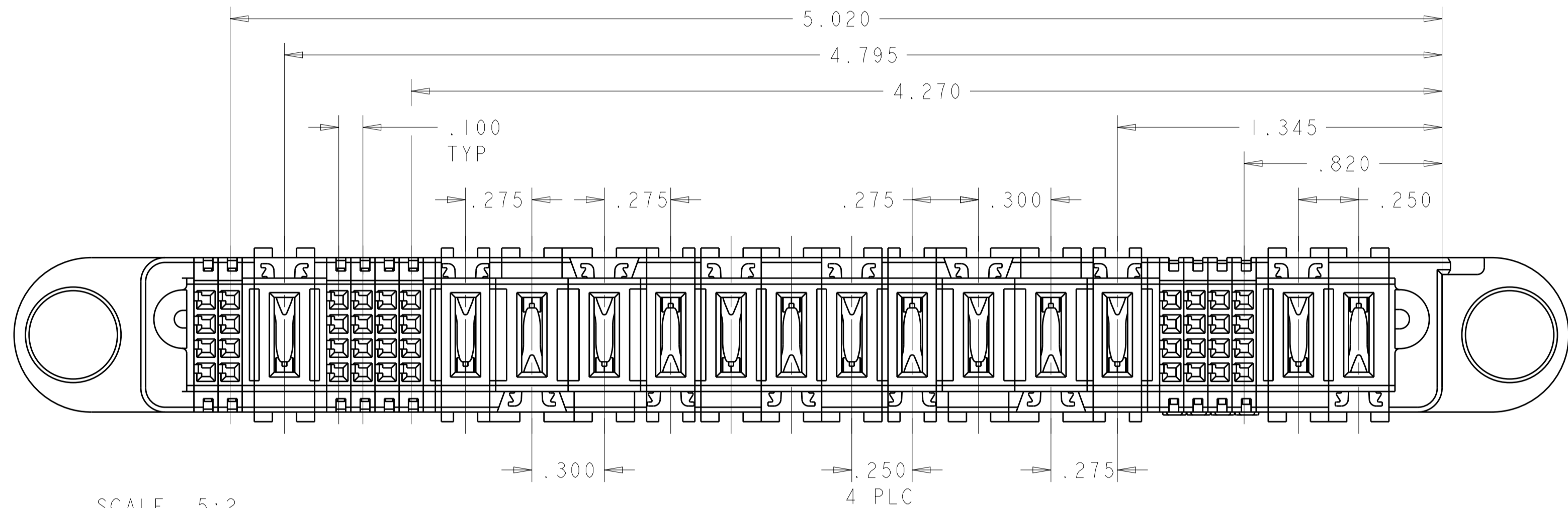
PART NUMBER	ROWS	SIGNAL		POWER										SIGNAL		POWER									
		10	9	P14	8	7	6	5	P13	P12	P11	P10	P9	P8	P7	P6	P5	P4	P3	4	3	2	1	P2	P1
1892903-3	D C B A	E	E		E	E	E	E		RM	RM		RM		RM		RM	RM		E	E	E	E		RA

2P+16S+1P+2ACP+5P+2ACP+1P+16S+1P+8S

NO CONTACTS LOADED

PART NUMBER	ROWS	POWER		SIGNAL				POWER		
		P4	P3	4	3	2	1	P2	P1	
1-1892903-0	D C B A	RM	RM	E	E	E	E		RM	RM

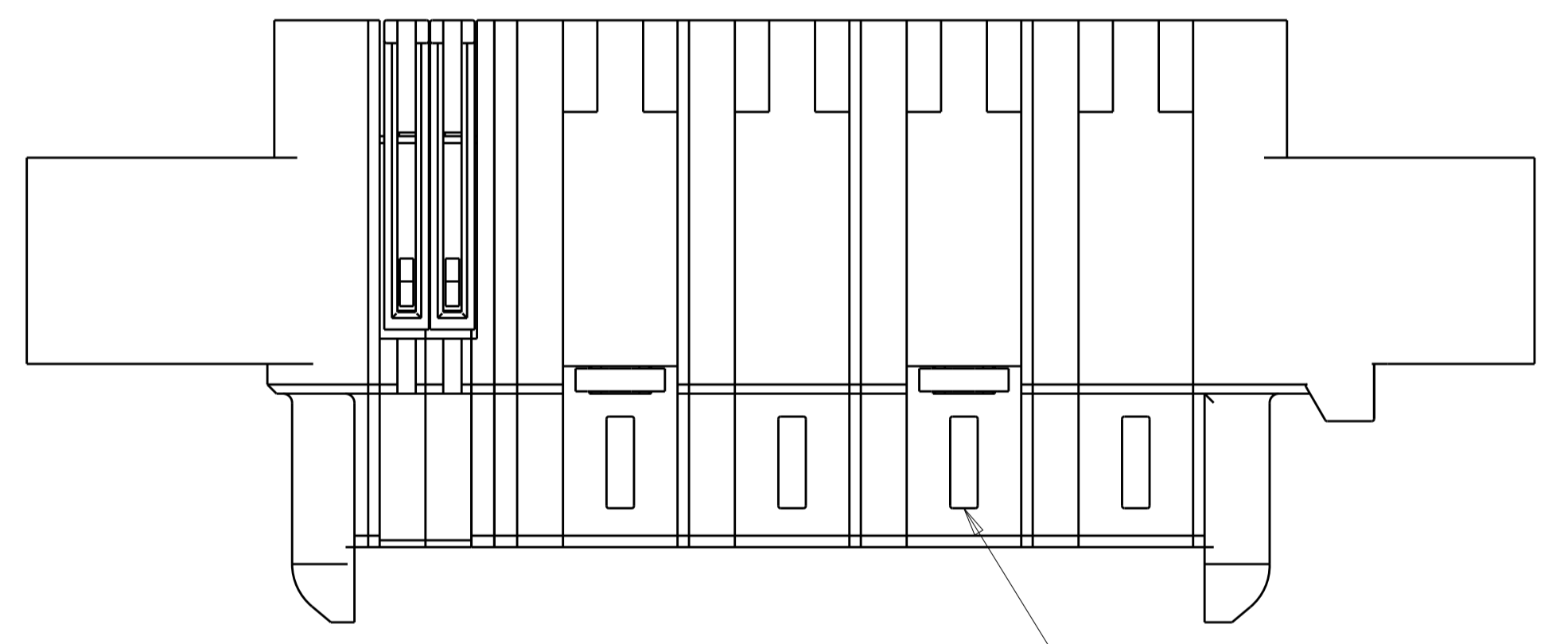
2HDP + 16S + 2HDP



SCALE 5:2
1892903-3

PART NUMBER	ROWS	SIGNAL		POWER			
		2	1	P4	P3	P2	P1
1-1892903-1	D C B A	E	E	RA	RM	RM	RM

4ACP + 8S



FOR THE CONFIGURATION WITH VENT HOLES
PART NUMBER: 1-1892903-1

PART NUMBER	ROWS	POWER				SIGNAL							POWER		
		P7	P6	P5	P4	6	5	4	3	2	1	P3	P2	P1	
1892903-4	D C B A	LP	LP	LP	LP	E	E	E	E	E	E		RA	RM	RA

3ACP + 24S + 4LP

PART NUMBER	ROWS	POWER			SIGNAL							POWER		
		P6	P5	P4	6	5	4	3	2	1	P3	P2	P1	
1892903-7	D C B A	RM	RM	RM	E	E	E	E	E	E		RM	RM	RM

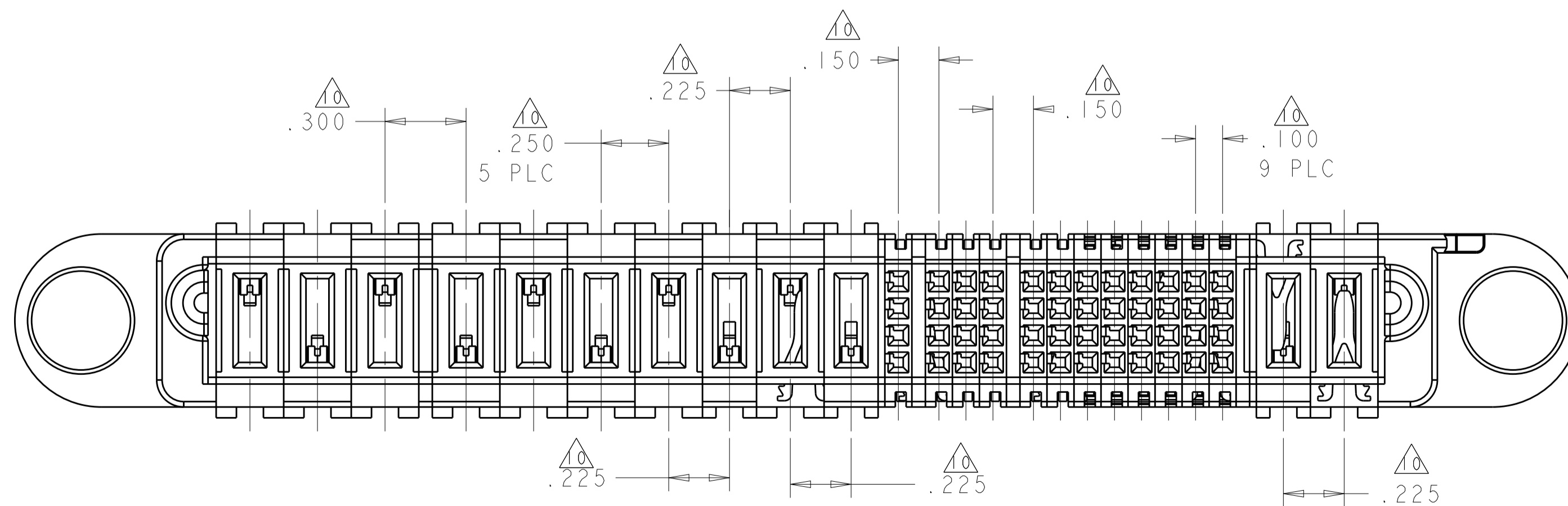
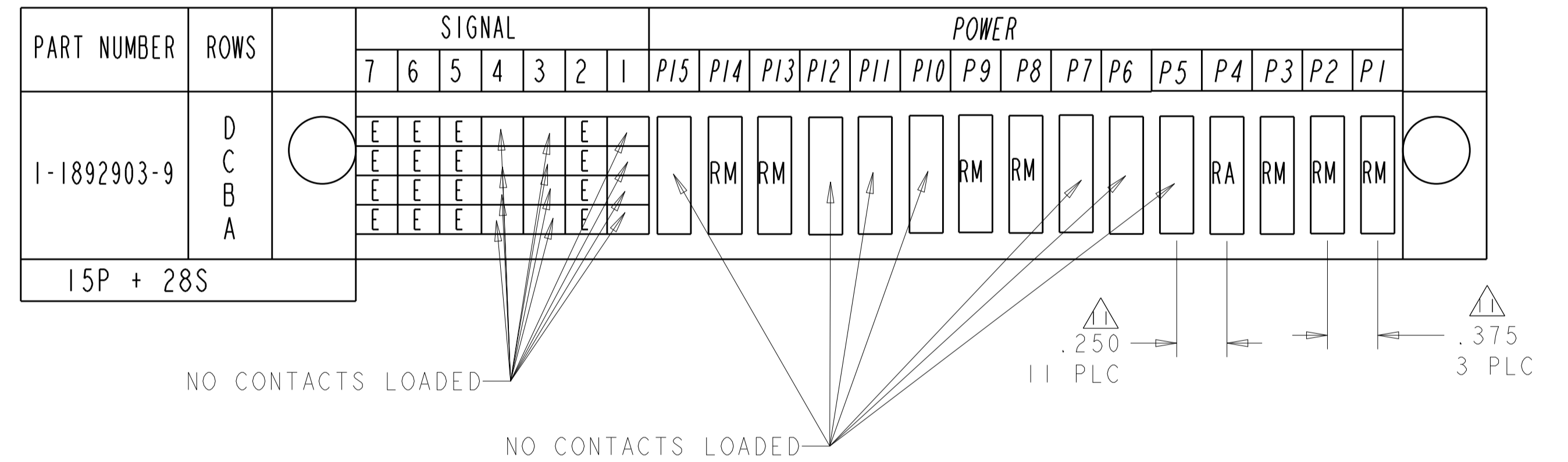
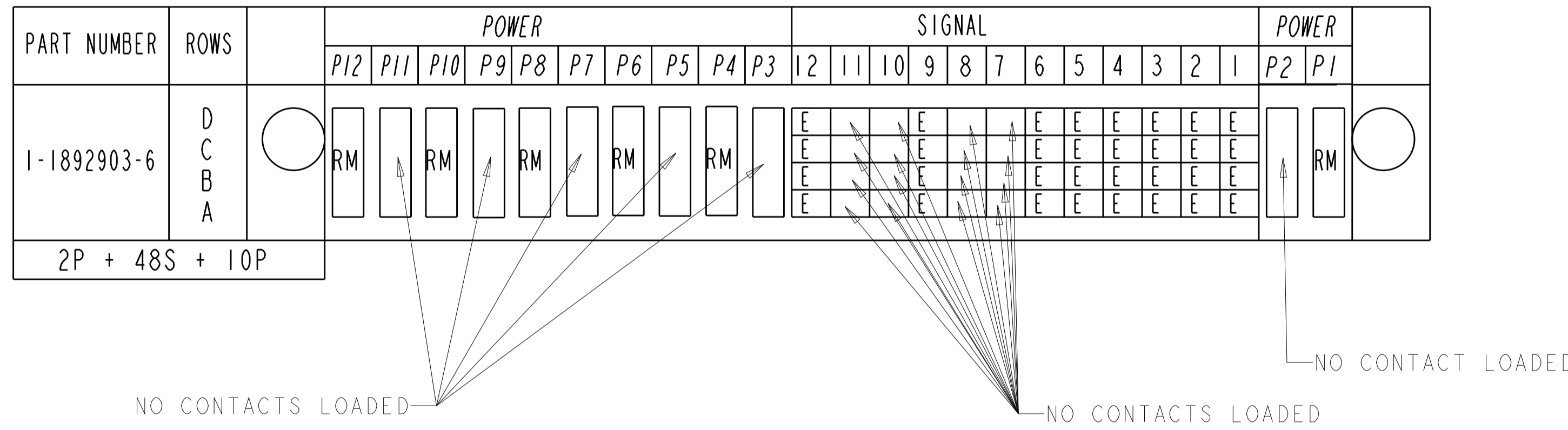
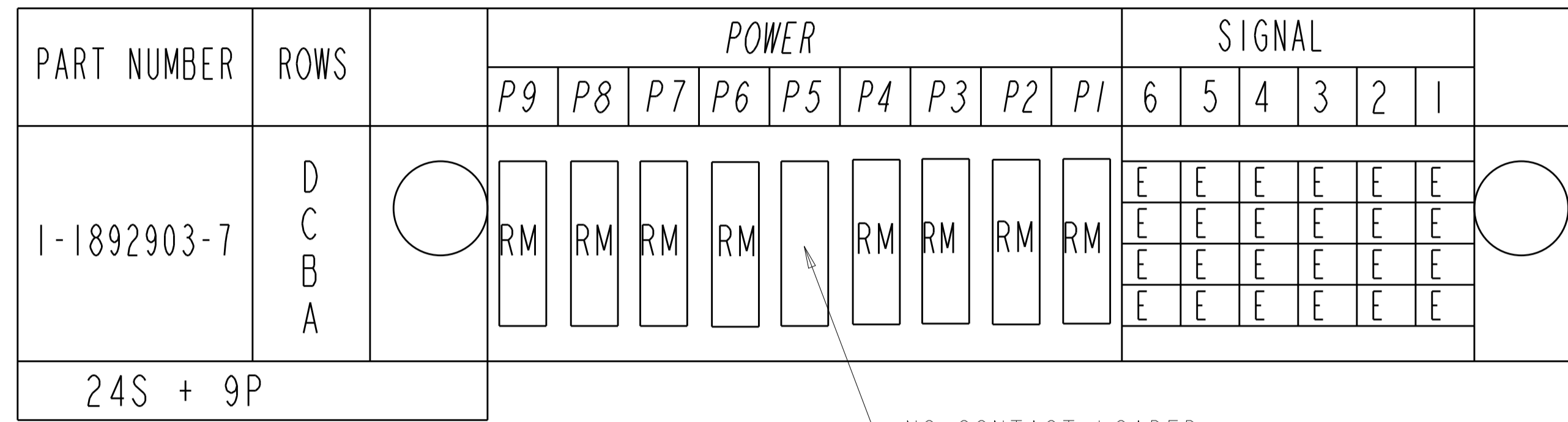
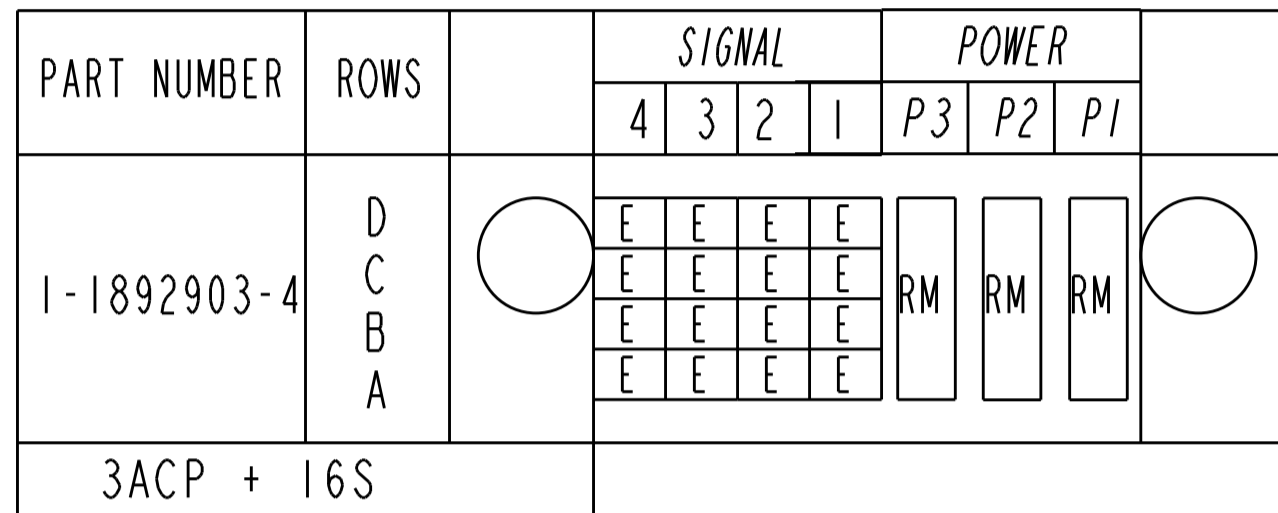
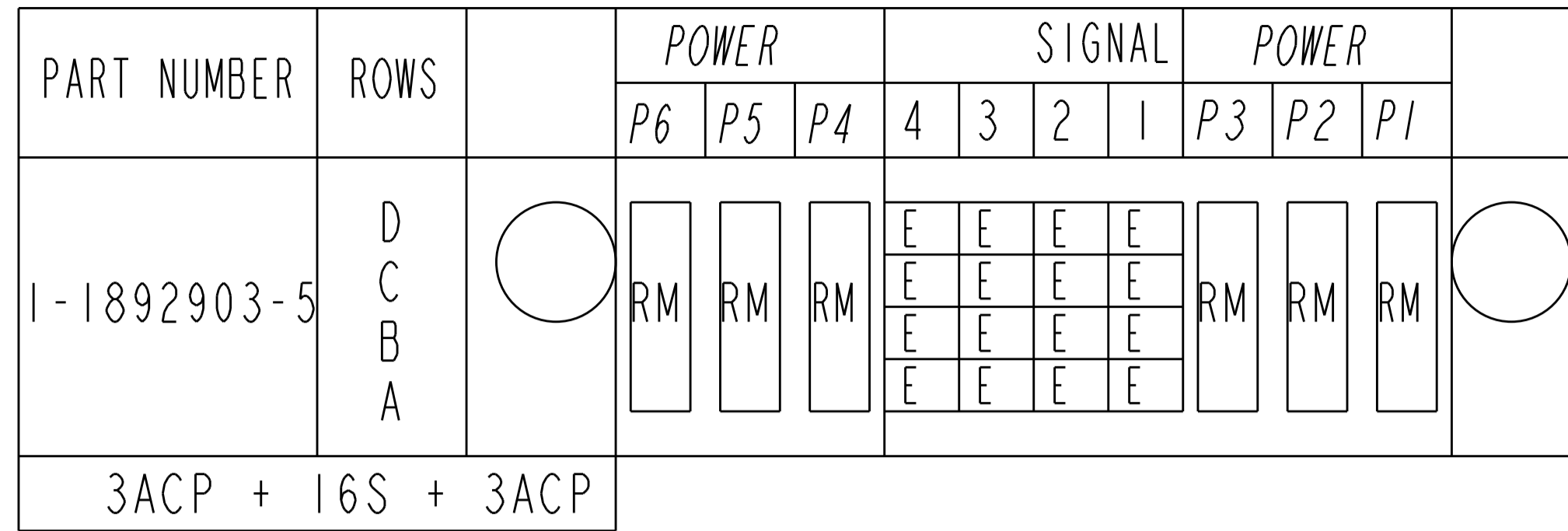
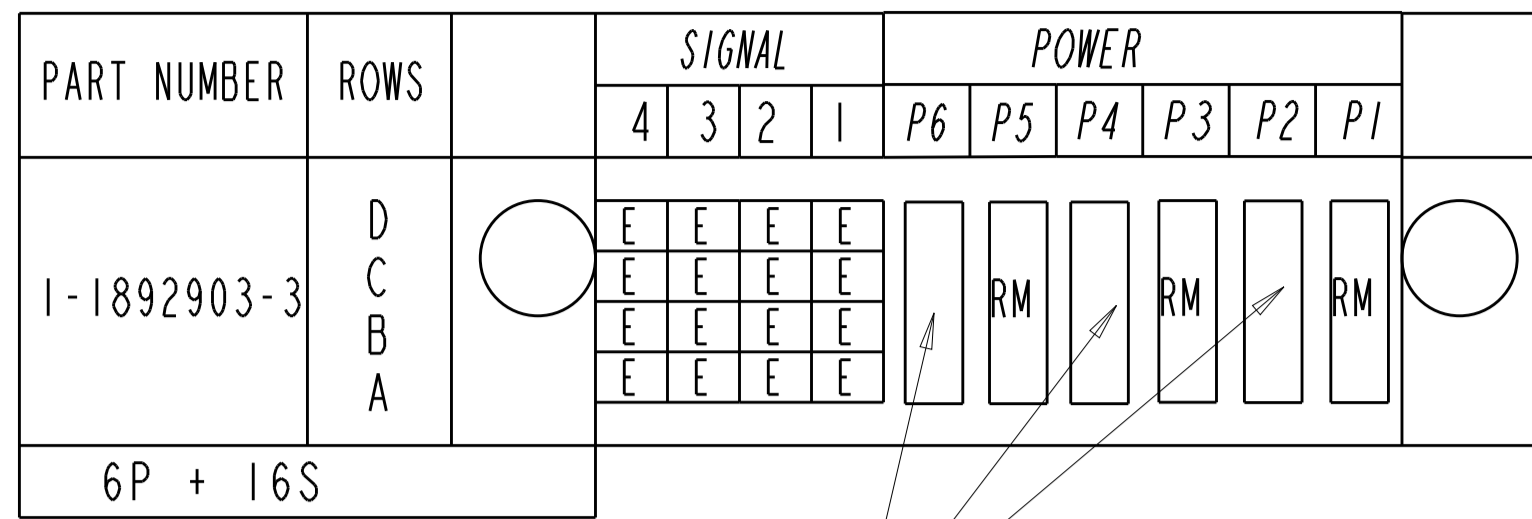
3ACP + 24S + 3ACP

PART NUMBER	ROWS	POWER				SIGNAL								POWER						
		P10	P9	P8	P7	8	7	6	5	4	3	2	1	P6	P5	P4	P3	P2	P1	
1892903-8	D C B A	RM	RM	RM	RM	E	E	E	E	E	E	E	E		RM	RM	RM	RM	RM	RM

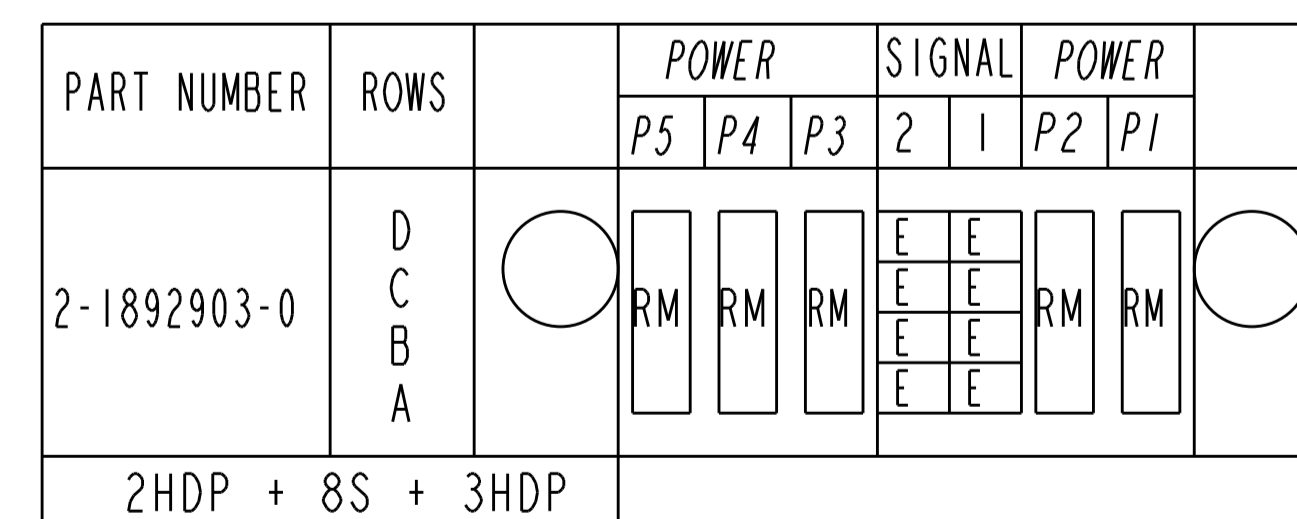
6P + 32S + 4P

THIS DRAWING IS A CONTROLLED DOCUMENT.		OWN: C. ZHOU 09JUN2009	STE TE Connectivity
DIMENSIONS: INCHES		CHK: S. ZHAO 09JUN2009	
TOLERANCES UNLESS OTHERWISE SPECIFIED:		APVD: -	NAME: PANEL MOUNT CABLE RECEPTACLE HOUSING, WITH GUIDES MULTI-BEAM XLE
0 PLC ±.01		PRODUCT SPEC: 108-2157	SIZE: CAGE CODE DRAWING NO: A100779C=1892903
1 PLC ±.01		APPLICATION SPEC: 114-13112	RESTRICTED TO: -
2 PLC ±.005		WEIGHT: -	SCALE: 4:1 SHEET 4 OF 7 REV: D7
3 PLC ±.002		CUSTOMER DRAWING	
4 PLC ±.0020			
ANGLES ±.020			
FINISH: -			

LOC		DIST		REVISONS	
P	LTR	DESCRIPTION	DATE	DNM	APVD
-	-	SEE SHEET 1	-	-	-

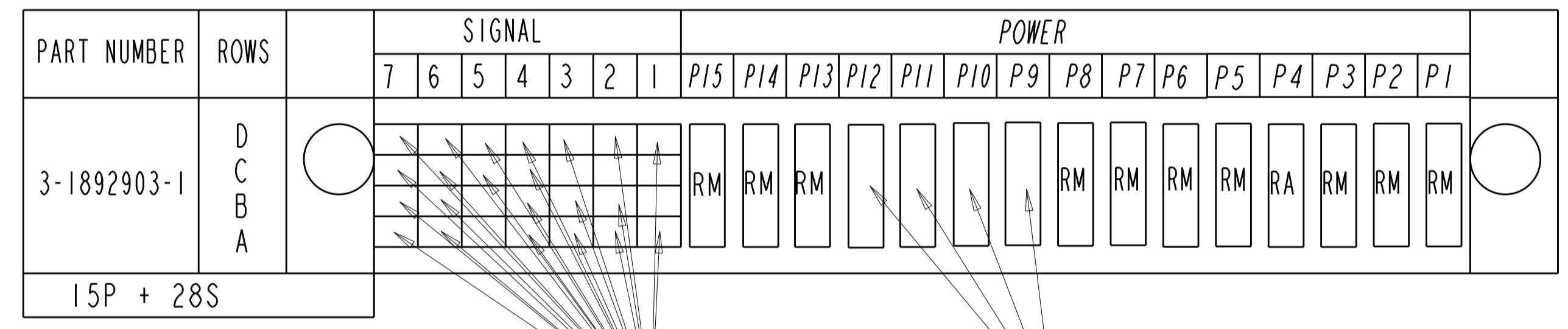
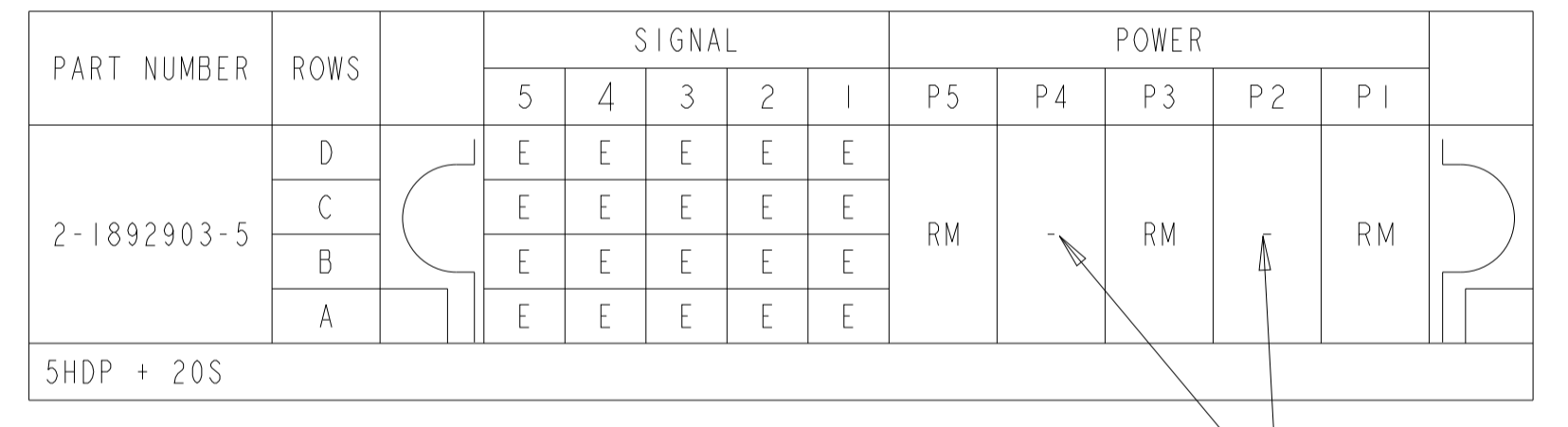
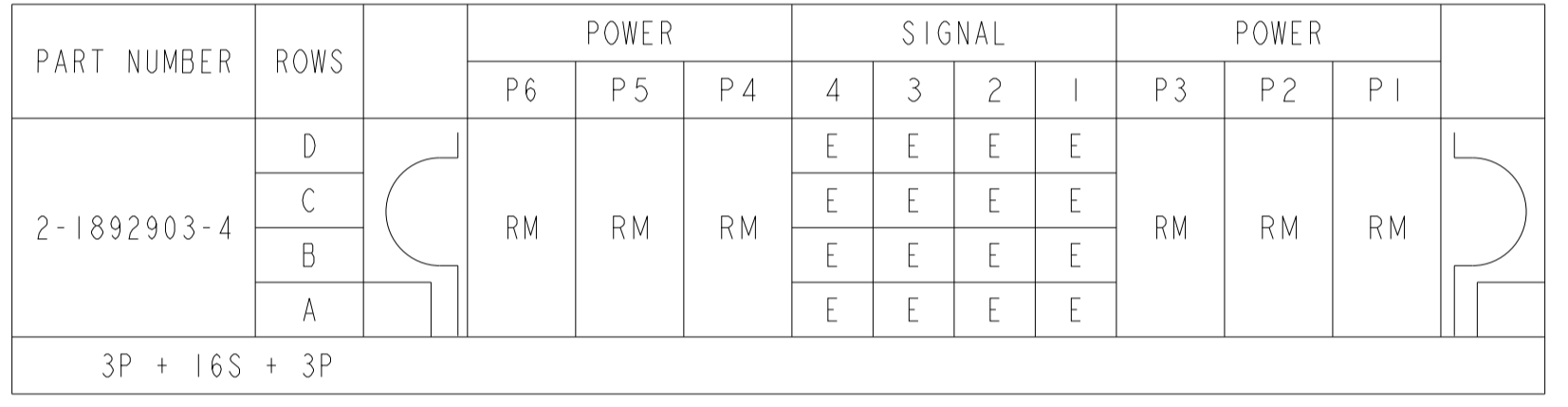
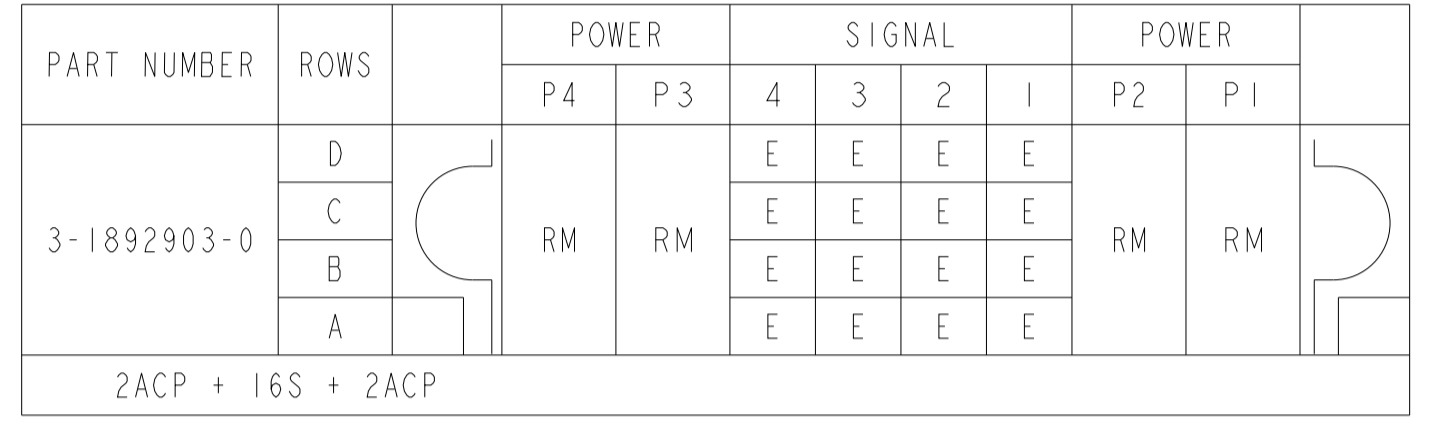
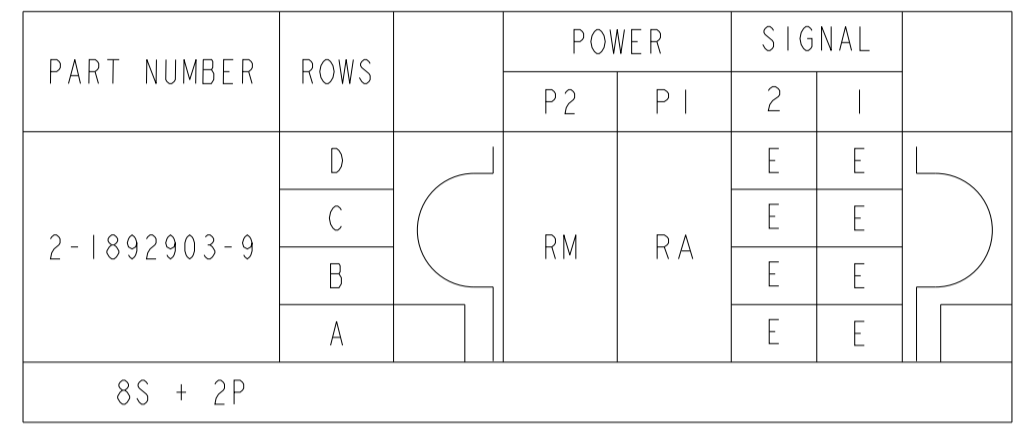
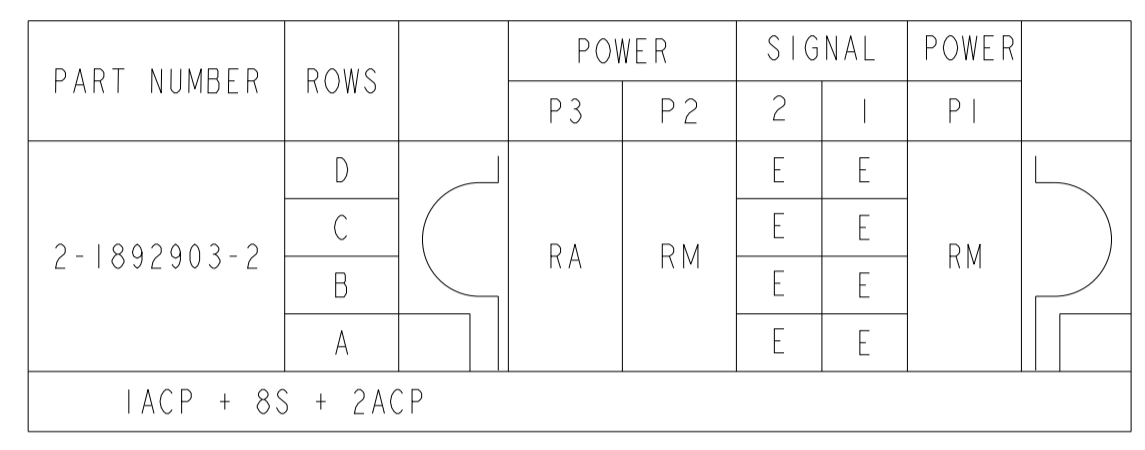
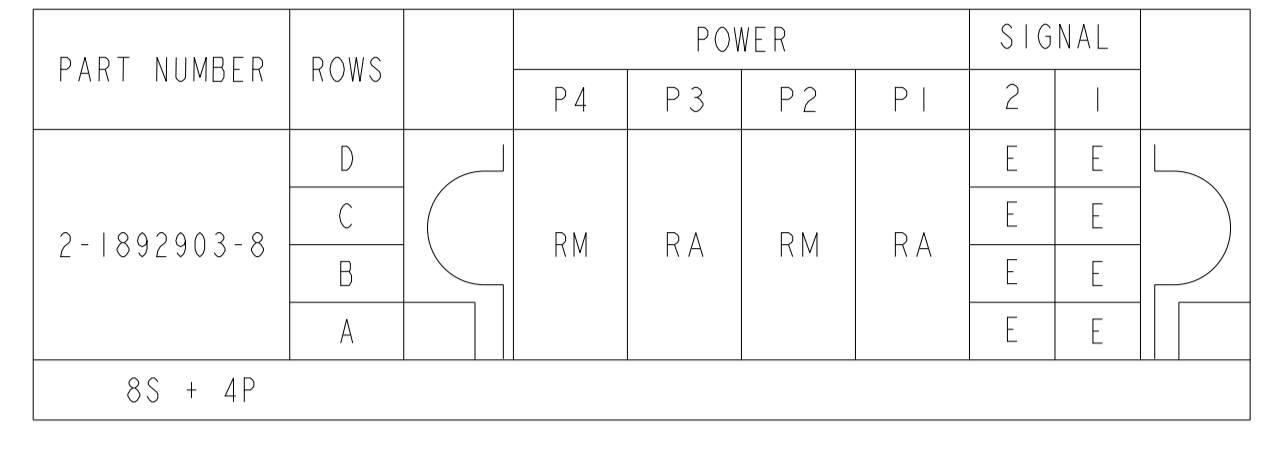
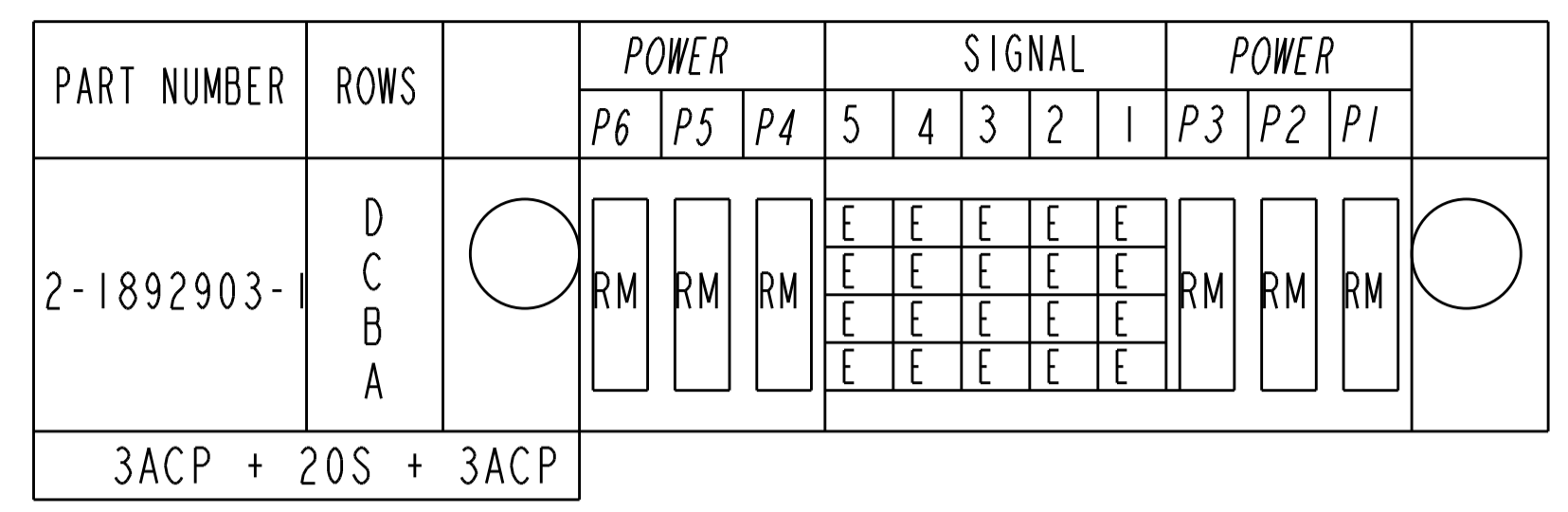


PART 1-1892903-6



THIS DRAWING IS A CONTROLLED DOCUMENT.			DNM C. ZHOU 09JUN2009	STE TE Connectivity
DIMENSIONS: INCHES		TOLERANCES UNLESS OTHERWISE SPECIFIED:	CHK S. ZHAO 09JUN2009	
		0 PLC ± 1 PLC ±.01 3 PLC ±.01 4 PLC ±.0020 ANGLES ±.020 FINISH	APVD -	
MATERIAL		CUSTOMER DRAWING		NAME PANEL MOUNT CABLE RECEPTACLE HOUSING, WITH GUIDES MULTI-BEAM XLE
SCALE		REVISIONS		SIZE A1
4:1		114-13112		CAGE CODE 1892903
SHEET		DATE		RESTRICTED TO
5		09JUN2009		-
OF		DRAWING NO		REV
7		114-13112		7
REV		SCALE		
D7		4:1		

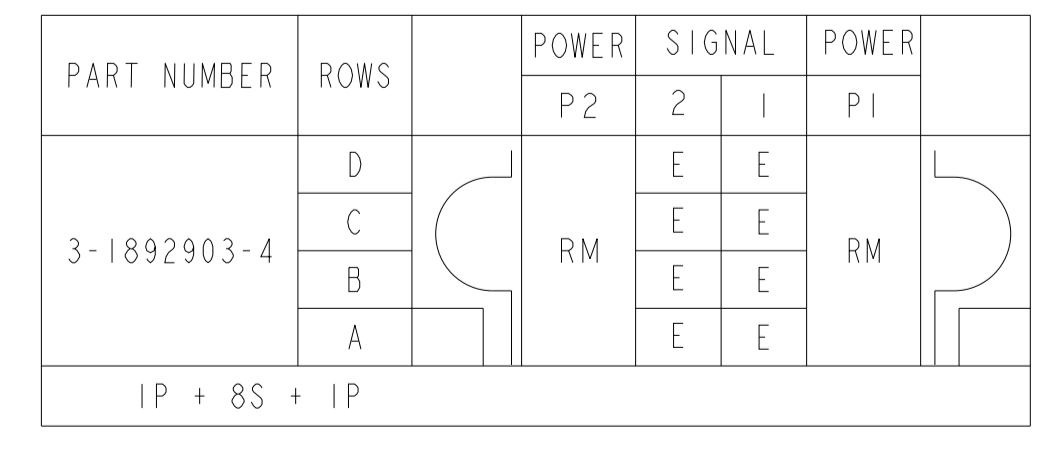
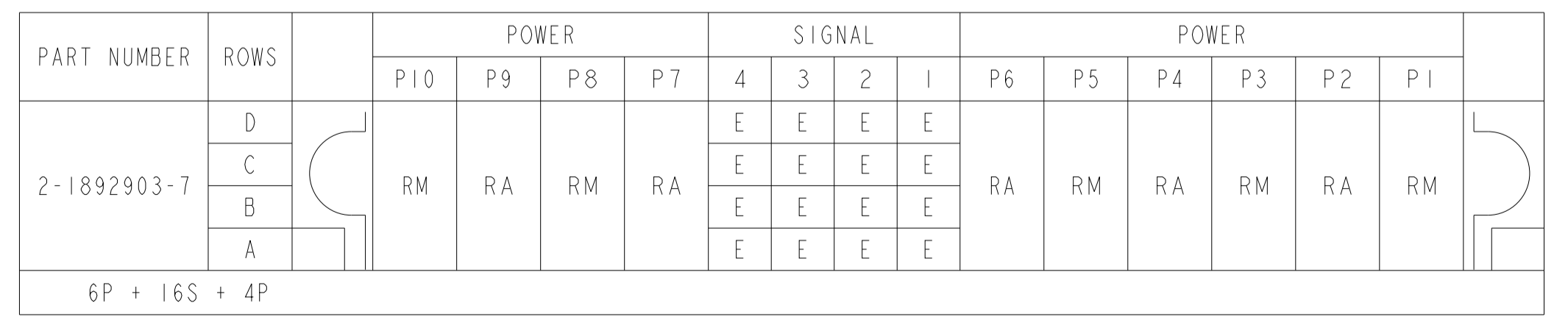
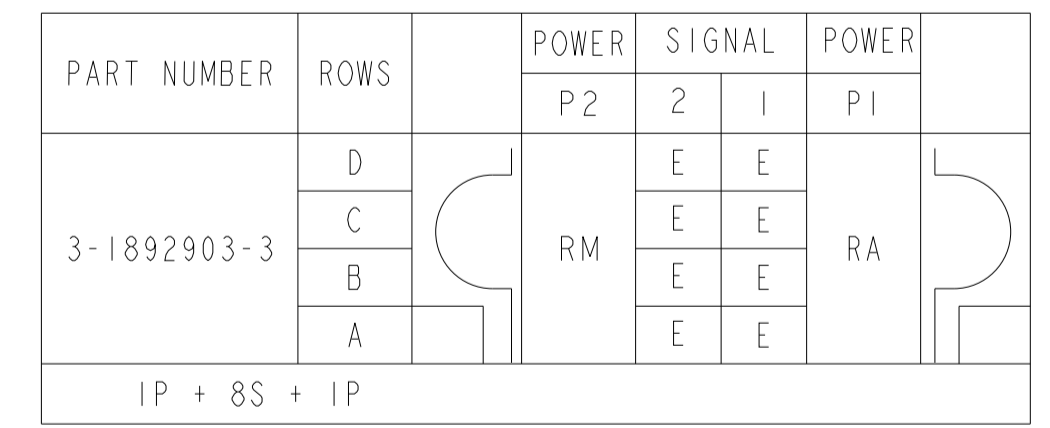
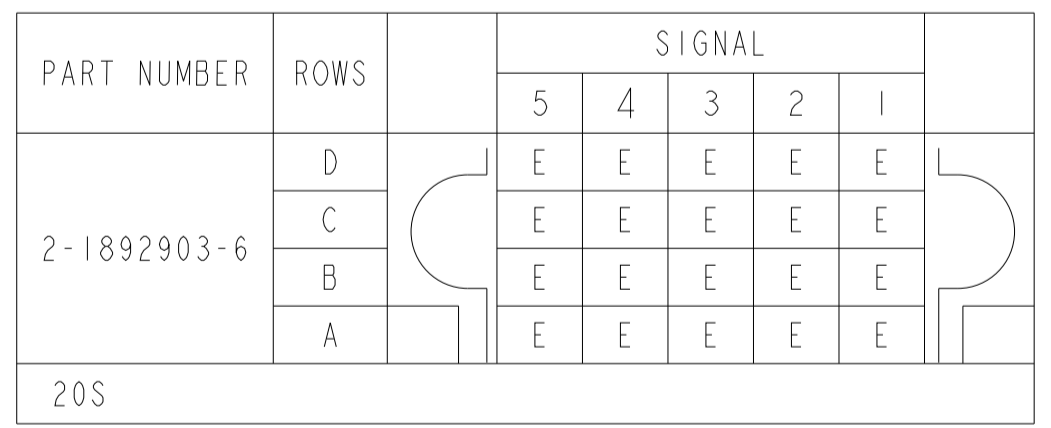
LOC		DIST		REVISIONS				
P	LTN	DESCRIPTION	DATE	DMN	APVD			
-	-	SEE SHEET 1	-	-	-			



NO CONTACTS LOADED

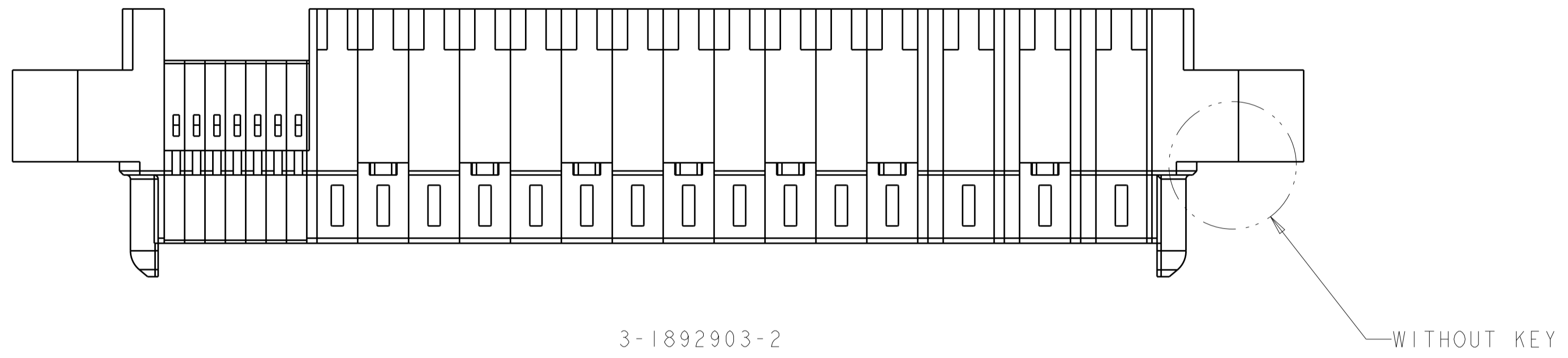
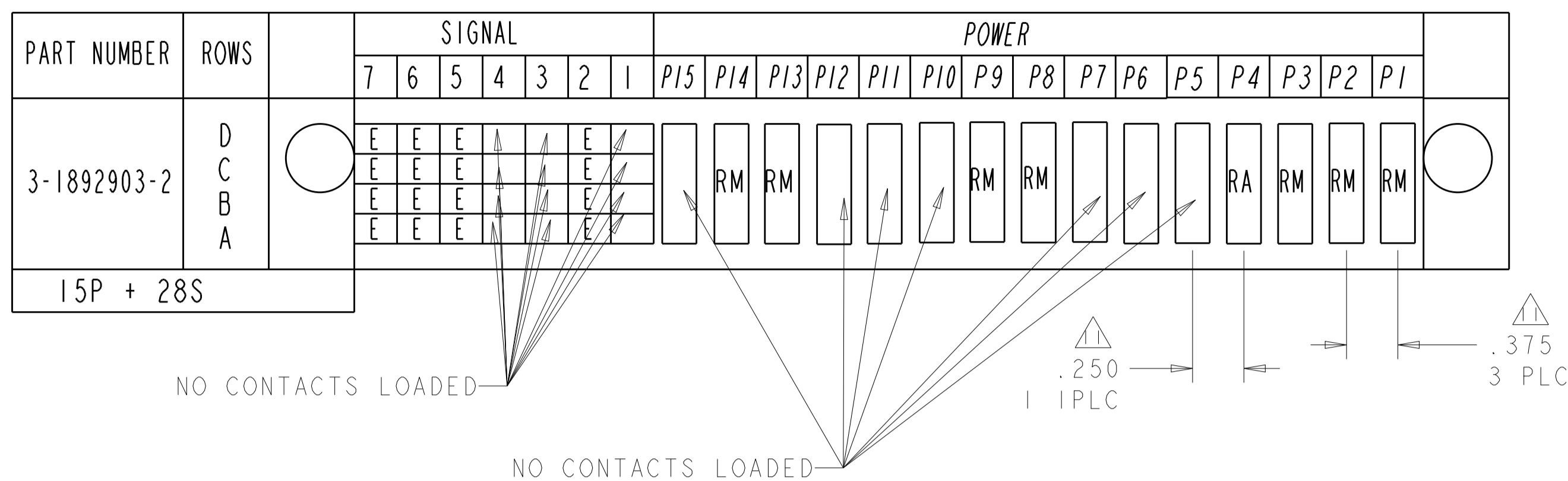
NO CONTACTS LOADED

NO CONTACTS LOADED



THIS DRAWING IS A CONTROLLED DOCUMENT.		DMN C. ZHOU CHK S. ZHAO	09JUN2009 09JUN2009	STE TE Connectivity
DIMENSIONS: INCHES	TOLERANCES UNLESS OTHERWISE SPECIFIED:	APVD	NAME	
	0 PLC ± 2 PLC ±.01 3 PLC ±.005 4 PLC ±.0020 ANGLES ±.2°	PRODUCT SPEC	PANEL MOUNT CABLE RECEPTACLE HOUSING, WITH GUIDES MULTI-BEAM XLE	
MATERIAL	FINISH	APPLICATION SPEC	RESTRICTED TO	
		114-13112	A100779C=1892903	
		WEIGHT	CUSTOMER DRAWING	
		SCALE 4:1	SHEET 6 OF 7	
		REV D7		

LOC	DIST	REVISIONS			
P	LTH	DESCRIPTION	DATE	DWN	APVD
-	-	SEE SHEET 1	-	-	-



THIS DRAWING IS A CONTROLLED DOCUMENT.		DWN C. ZHOU 09JUN2009	
DIMENSIONS: INCHES		CHK S. ZHAO 09JUN2009	
		TOLERANCES UNLESS OTHERWISE SPECIFIED:	APVD
0 PLC ±. 1 PLC ±. 2 PLC ±.01 3 PLC ±.005 4 PLC ±.0020 ANGLES ±.2°		PRODUCT SPEC 108-2157	NAME PANEL MOUNT CABLE RECEPTACLE HOUSING, WITH GUIDES MULTI-BEAM XLE
MATERIAL		FINISH	APPLIC. SPEC
-		-	114-13112
-		-	RESTRICTED TO
-		-	A100779C=1892903
CUSTOMER DRAWING		SCALE 4:1	SHEET 7 OF 7 REV D7