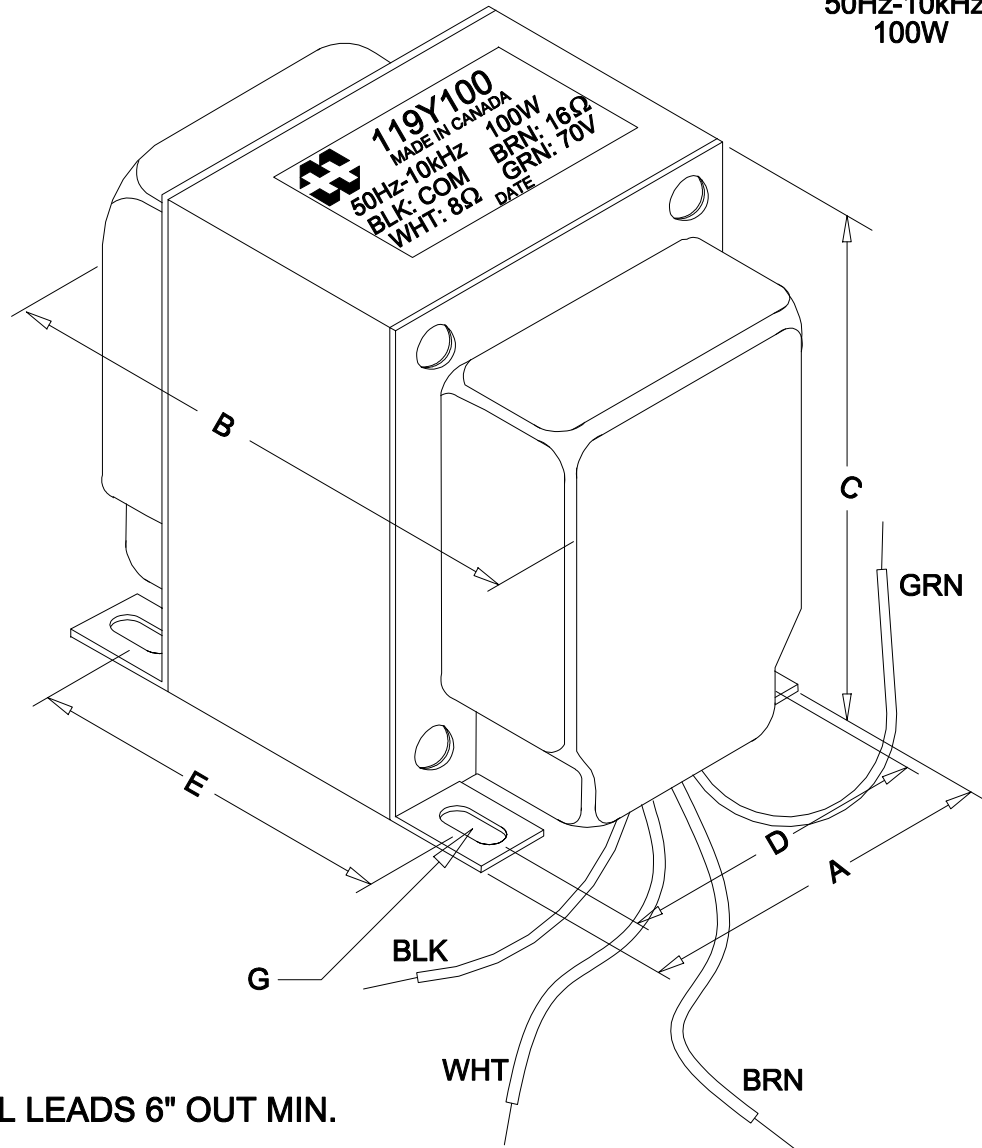
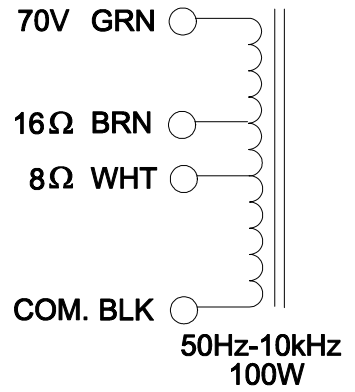


EDB119Y100

DIMENSIONS:	
A	3.125" ±0.063
B	3.435" ±0.125
C	3.800" MAX.
D	2.500" ±0.063
E	2.188" ±0.063
G	0.203" X 0.375" ±0.015



NOTE: ALL LEADS 6" OUT MIN.



**ELECTRONIC DIVISION**  
52 RANKIN PLACE,  
WATERLOO, ONTARIO, N2J 3Z5  
PH # (519) 886-6181  
FAX # (519) 886-9540

TITLE

119Y100

NO	DATE	REVISION	DWG. BY
0	02/07/11	RELEASED.	C.I. CORINA ILIE
			DATE
			02/07/11
			DIM IN( )MM( )

EDB119Y100