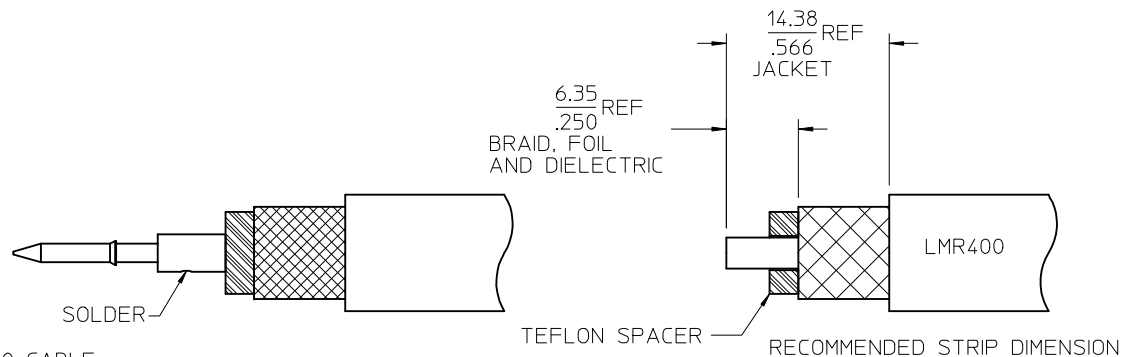
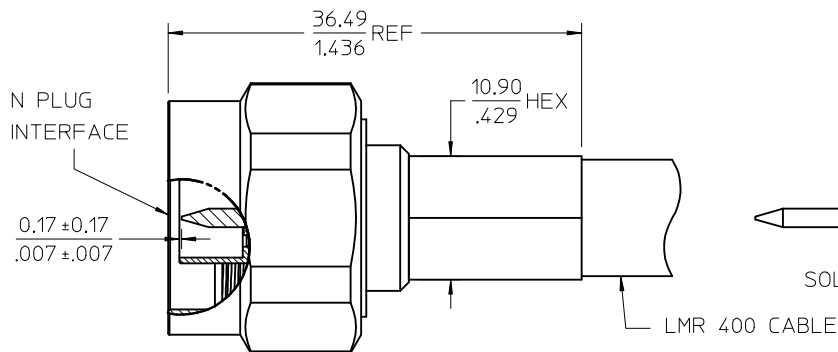
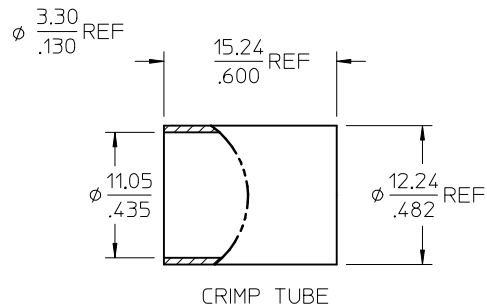
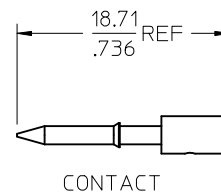
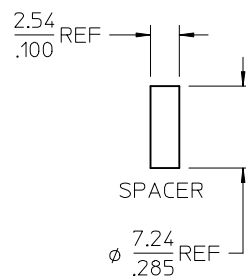
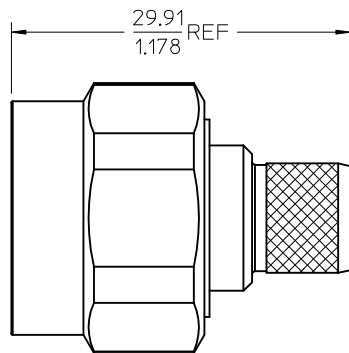
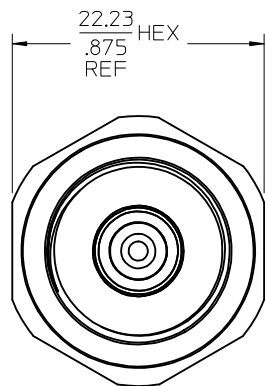
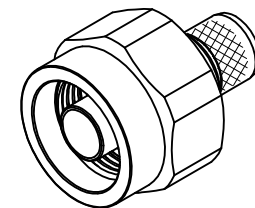


MATERIALS AND FINISHES

BODY, COUPLING NUT, CRIMP TUBE BRASS
PLATED SEE TABLE

CENTER CONTACT BRASS
PLATED GOLD

INSULATOR, SPACER TEFLON



MIL-STD-348A, FIG. 304-1	INTERFACE
SPECIFICATION	DESCRIPTION

73276-0112	NICKEL	ONE PER BAG
73276-0111	NICKEL	STANDARD
73276-0110	SILVER	STANDARD
PART NUMBER	PLATING	PACKAGING

CHG: UPDATE VIEW OF REAR BODY	2013/06/21
EC NO: URF2013-0712	2013/06/21
DRWN: JWIENER	2013/06/21
CHKD: SSS	2013/06/21
APPR: JWIENER	2013/06/21
REV: C2	

QUALITY SYMBOLS	GENERAL TOLERANCES (UNLESS SPECIFIED)
▽=0	mm INCH
▽=0	4 PLACES ± --- ± ---
	3 PLACES ± --- ± ---
	2 PLACES ± --- ± ---
	1 PLACE ± --- ± ---
	ANGULAR ± 2 °
	DRAFT WHERE APPLICABLE MUST REMAIN WITHIN DIMENSIONS

DIMENSION STYLE MM/IN		SCALE	DESIGN UNITS METRIC	THIRD ANGLE PROJECTION
DRAWN BY EDC	DATE 1998/05/06	TITLE	N PLUG, STR, CRIMP STYLE LMR-400 N-PC EWR-3211	
CHECKED BY NBJ	DATE 1998/05/14	MOLEX MOLEX INCORPORATED		
APPROVED BY JWIENER	DATE 2010/05/03	DOCUMENT NO. SD-73276-011	SHEET NO. 1 OF 1	
THIS DRAWING CONTAINS INFORMATION THAT IS PROPRIETARY TO MOLEX INCORPORATED AND SHOULD NOT BE USED WITHOUT WRITTEN PERMISSION				