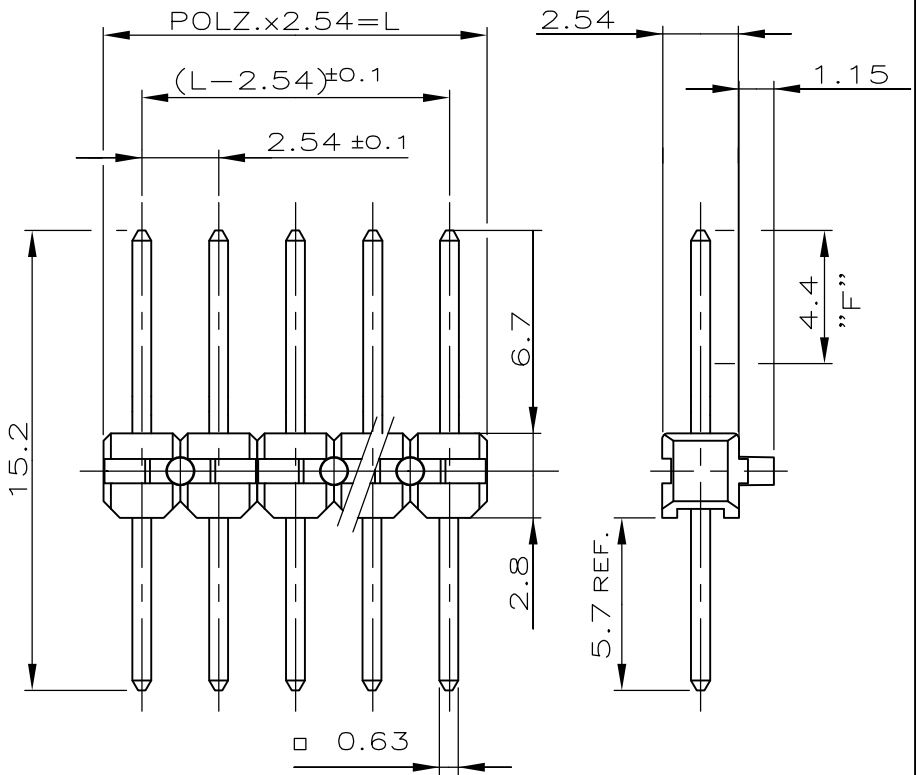


LOC	DIST	REVISIONS					
—	—	P	LTR	DESCRIPTION	DATE	DWN	APVD
		E		REVISED PER ECO-11-007499	25APR11	HMR	HMM

POLZ.	L±0.5	BESTELL-NR.
1	2.54	825 434 -1
2	5.08	— 2
3	7.62	— 3
4	10.16	— 4
5	12.70	— 5
6	15.24	— 6
7	17.78	— 7
8	20.32	— 8
9	22.86	— 9
10	25.40	1- 0
11	27.94	1- -1
12	30.48	1- -2
13	33.02	1- -3
14	35.56	1- -4
15	38.10	1- -5
16	40.64	1- -6
17	43.18	1- -7
18	45.72	1- -8
19	48.26	1- -9
20	50.80	2- -0
21	53.34	2- -1
22	55.88	2- -2
23	58.42	2- -3
24	60.96	2- -4
25	63.50	2- -5
26	66.04	2- -6
27	68.58	2- -7
28	71.12	2- -8
29	73.66	2- -9
30	76.20	3- 0
31	78.74	3- -1
32	81.28	3- -2
33	83.82	3- -3
34	86.36	3- -4
35	88.90	3- -5
36	91.44	3- -6
37	93.98	3- -7
38	96.52	3- -8
39	99.06	3- -9
40	101.60	4- 0
41	104.14	4- -1
42	106.68	4- -2
43	109.22	4- -3
44	111.76	4- -4
45	114.30	4- -5
46	116.84	4- -6
47	119.38	4- -7
48	121.92	4- -8
49	124.46	4- -9
50	127.00	5- 825 434 -0



① STECKSEITE: IM BEREICH "F" 0.8µm GOLD ÜBER 1.27 µm NICKEL
 LÖTSEITE: MIN. 2.5 µm ZINN ÜBER 1.27 µm NICKEL
 ② OBSOLETE

CAD-ORIGINAL
 ZEICHNUNG NICHT ÄNDERN

ZEICHNUNG GÜLTIG AB		39/96
KONTAKTSTIFT	Cu Sn	△
STIFTGEHÄUSE	PBT GV	GRÜN
BENENNUNG	WERKSTOFF	OBERFLÄCHE
		FARBE

THIS DRAWING IS UNPUBLISHED. ALL RIGHTS RESERVED. RELEASED FOR PUBLICATION.

DIMENSIONS: mm	DWN	A.HO	11.04.84	MATERIAL	—	FINISH	—	
	CHK	M.SCHAARSCHMIDT	11.04.84	TE Connectivity				
TOLERANCES UNLESS OTHERWISE SPECIFIED:	APVD	—	—					
0 PLC ± -	PRODUCT SPEC	—	NAME	AMPMODU II STIFTLAISTE EINREIHIG				
1 PLC ± -	APPLICATION SPEC	—	SIZE	A4	CAGE CODE	00779	DRAWING NO	825434
2 PLC ± 0.2	WEIGHT	—	RESTRICTED TO		—			
3 PLC ± -			CUSTOMER DRAWING		SCALE	4:1	SHEET	1 OF 1
4 PLC ± -							REV	E
ANGLES ± -								