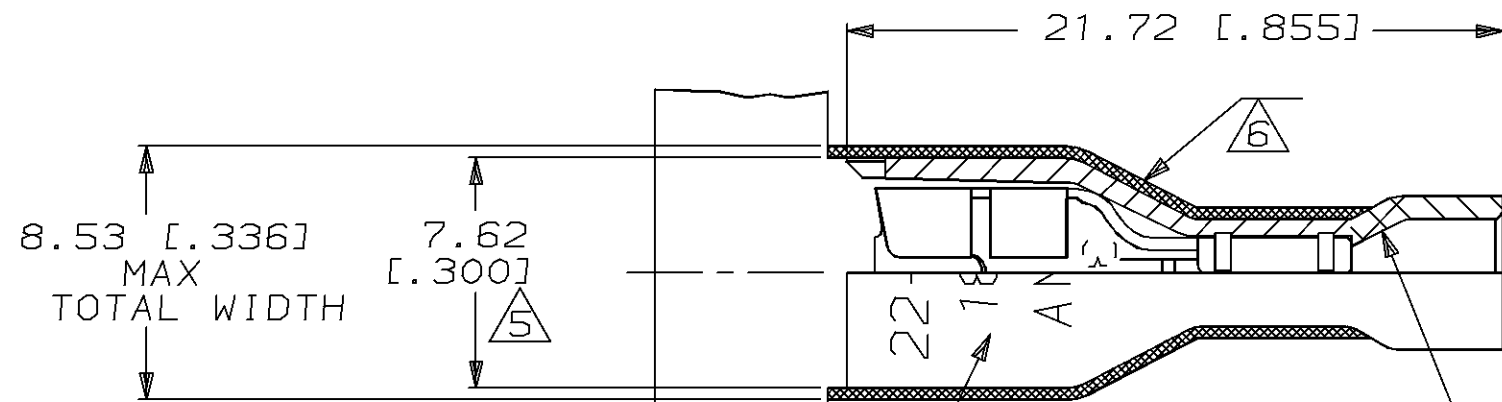
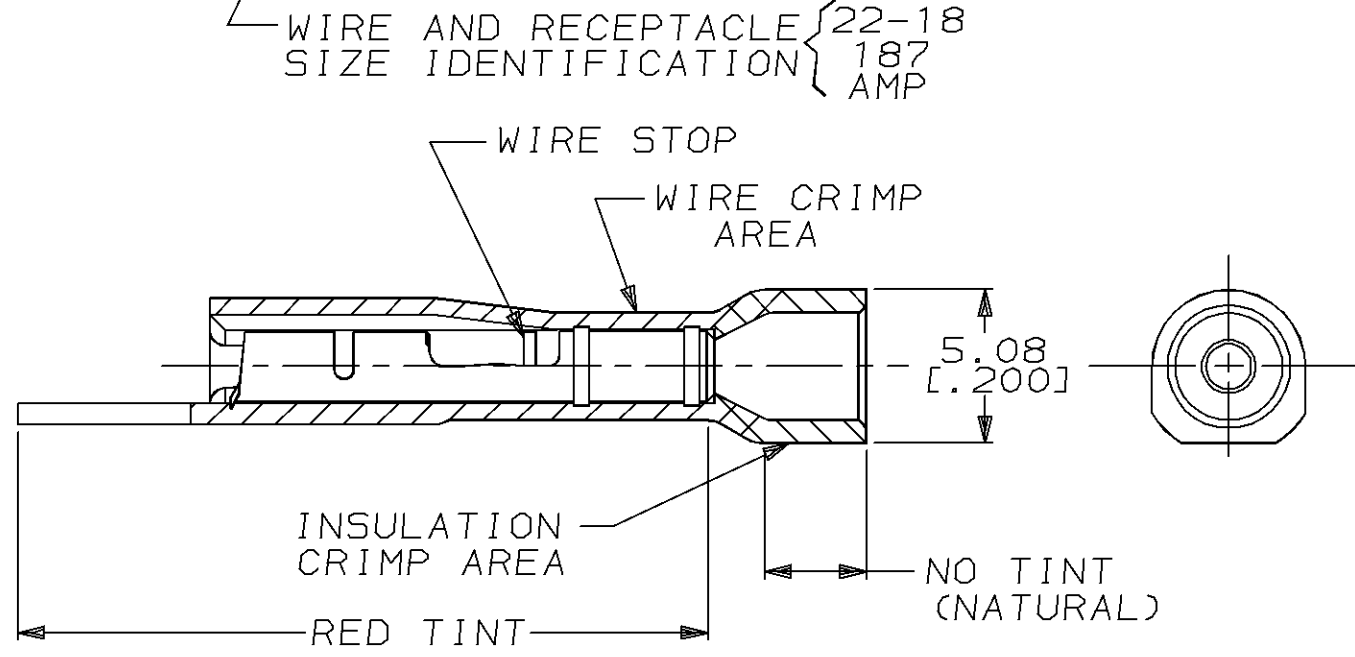
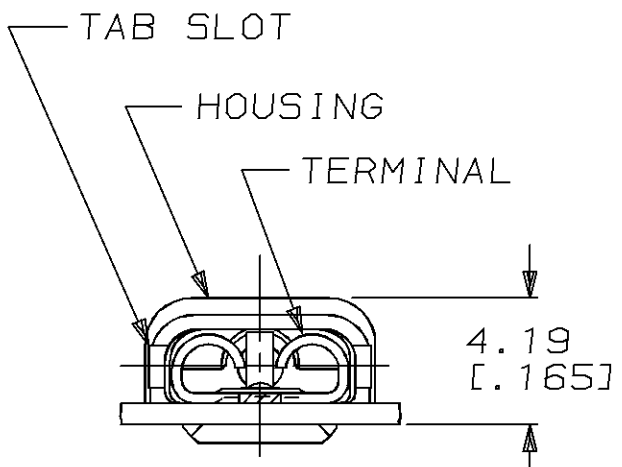


THIS DRAWING IS UNPUBLISHED. RELEASED FOR PUBLICATION, 19  
 © COPYRIGHT 19 BY AMP INCORPORATED. ALL INTERNATIONAL RIGHTS RESERVED.

LOC	DIST	P	F	REVISIONS				
AF	50			ZONE	LTR	DESCRIPTION	DATE	APPD
					A	RELEASED PER 0L10-0243-96	1/3/97	JR/JW



- 1 MATES WITH 0.81±0.025X4.75 [.032±.001X.187] TAB, PER NEMA DC-2.
- 2 WIRE STRIP LENGTH 7.14 [.281]
- 3 INSULATION RANGE 1.52-3.43 [.060-.135] DIA.
- 4 CONTINUOUS STRIP ON REELS
- 5 DIMENSION DOES NOT INCLUDE TRIM BURR
- 6 .015 MAX CARRIER TRIM BURR PER SIDE IS ALLOWABLE IN THE SHADED AREA



HOUSING: NYLON, COLOR-RED TRANSLUCENT  
 RECEPTACLE: #3 HARD BRASS  
 TIN PL 0.002032 [.000080] MIN THK

2-521129-2

MATERIAL & FINISH		PART NO	
DO NOT SCALE PRINT. UNLESS SPECIFIED DIMENSIONS IN INCHES TOLERANCES ON: 2 PLC DEC ± - 3 PLC DEC ± 0.25 [.010] ANGLES ± -		AMP INCORPORATED Harrisburg, Pa. 17105	
MATERIAL SEE TABLE		NAME RECEPTACLE ASSY, ULTRA-FAST PLUS, 4.75 [.187] SERIES, 22-18 AWG	
FINISH SEE TABLE		SIZE <b>B</b>	FSCM NO 00779
		DRAWING NO 521129	
		SCALE 4:1	SHEET 1 OF 1